

Inhoudsopgave

Achteras Aandrijving	134
Achteras Huis	100
Air Condition Systeem	178
Beplating Middenstuk	48
Beplating Middenstuk met Cabine	52
Bumper & Motorkapsluiting	38
Cabine	238
Dashbord	68
Diepte Regeling	206
Differentieel Slot	138
Driepunt	216
Driepunt met Snelkoppelingen	218
Driepunt met Snelkopp. Verstelbaar	220
Elektrische Delen Achter	156
Elektrische Motor Delen & Kabels	154
Frontgewichten & Beugel	230
Gaskabels Hand & Voetgas	22
Hefdeksel & Cilinders	202
Hefdeksel & Cilinders	182
Hydrauliek Aansluiting Achter	184
Hydrauliek Aanzuig Systeem & Filter	164
Hydrauliek Ventielen	180
Index	266
Ingaande As	112
Joystick Elektrisch Systeem	162
Joystick Elektr. Ventielen	200
Joystick Hydrauliek	194
Kop Lampen	152
Koppeling	104
Koppeling Pedalen	114
Luchtfiler 55 CV	28
Luchtfiler 65 CV	30
Middenstuk & Koppelings Plaat	96
Motorkap	40
Motor 55 CV	6
Motor 65 CV	14
Oliekoeler & Slangen	166
Parkeer Rem	120
PTO & Tandwielen	140
PTO Koppeling	144
PTO Schakeling	148
PTO / Diff. Hydrauliek Systeem	176
Radiator & Slangen	24
Remmen	116

Rem Pedalen	118
Schakelpoken & Gaffels	132
Schakelpook Rubbers	72
Stickers	64
Spatschermen Achter	56
Spatschermen Achter met Cabine	60
Spatschermen Voor met Cabine	46
Spatschermen Voor & Rolbeugel	44
Stuur Hydrauliek	168
Stuur Hydrauliek met Cabine	172
Tandwielen	124
Tank	32
Trekhaak	224
Uitlaat 55 CV	34
Uitlaat 65 CV	36
Vooras Aandrijving	102
Vooras Huis	94
Wiel Eindvertraging	136
Wielen & Banden	232
Zelf Cleaning Systeem	158
Zittingen	80
Zitting Support	72
Zitting Support met Cabine	76
Zwaailamp	264

Code	Description	Notes
A.01.01_0_62724	ENGINE	Engine: 55 CV
A.01.02_0_62287	ENGINE (SELF CLEANING SYSTEM)	Engine: 55 CV
A.01.03_0_62768	ENGINE	Engine: 65 CV
A.01.04_0_62337	ENGINE (SELF CLEANING SYSTEM)	Engine: 65 CV
A.02.02_0_61737	ENGINE CONTROLS	
A.03.01_0_61765	COOLER	
A.04.01_1_61804	AIR FILTER	Engine: 55 CV
A.04.02_1_61820	AIR FILTER	Engine: 65 CV
A.05.02_0_61870	FUEL TANK	
A.06.01_0_62389	MUFFLER	Engine: 55 CV
A.06.02_0_62398	MUFFLER	Engine: 65 CV
B.01.01_0_61903	FRONT SUPPORT	
B.02.01_1_75789	BONNET	
B.03.03_0_62039	FRONT MUDGUARDS	
B.03.04_0_62070	FRONT MUDGUARDS (VERSION WITH CAB)	
B.04.07_0_62642	BOARDS	
B.04.08_0_62680	BOARDS (VERSION WITH CAB)	
B.05.05_0_63001	REAR MUDGUARDS	
B.05.06_0_63045	REAR MUDGUARDS (VERSION WITH CAB)	
B.07.02_0_75870	PLATES AND STICKERS	
B.08.01_0_67961	DASHBOARD	
B.09.03_0_68460	SEAT SUPPORT / GEAR LEVERS COVER	
B.09.04_0_68501	SEAT SUPPORT / GEAR LEVERS COVER (VERSION WITH CAB)	
B.12.01_0_62089	SEAT "SC79-M91"	
B.12.02_0_62110	SEAT "SC74-M916"	
B.12.03_0_62131	SEAT "T60-M91"	
B.12.04_0_62151	SEAT "SC79-M91" (VERSION WITH CAB)	
B.12.05_0_62172	SEAT "SC74-M91" (VERSION WITH CAB)	
B.12.06_0_62193	SEAT (KAB P2)	
B.12.07_0_62208	SEAT (KAB P1)	
C.01.02_0_68090	FRONT AXLE	
C.02.02_0_68138	CENTRAL SECTION	
C.03.03_0_68222	REAR AXLE	
D.01.02_0_68281	FRONT TRANSMISSION	

Cobram 55-65 AR Reversible

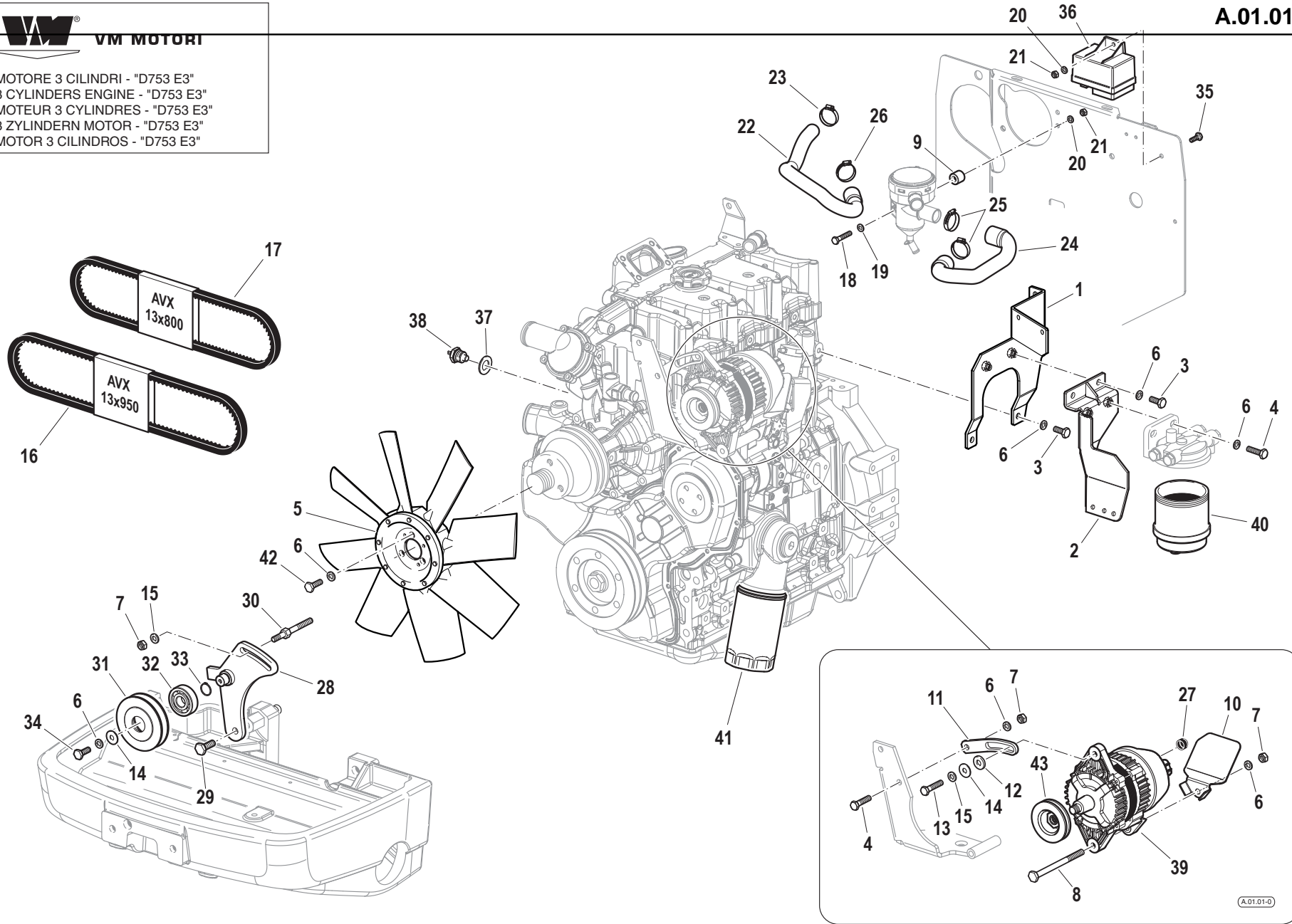
Code	Description	Notes
D.02.01_0_68309	TRANSMISSION CLUTCH	
D.02.02_0_68344	TRANSMISSION CLUTCH	
D.02.04_0_68388	CLUTCH/INPUT SHAFT	
D.03.02_0_68417	CLUTCH CONTROLS	
D.04.01_0_68445	BRAKES	
D.05.04_0_68629	BRAKES CONTROLS	
D.06.01_0_69050	PARKING BRAKE	
D.07.01_0_68660	INPUT SHAFT GEARS	
D.08.01_0_68685	SECONDARY SHAFT GEARS	
D.09.01_0_68726	COUNTERSHAFT AND CORRESPONDING GEARS	
D.10.02_0_68775	CHANGE GEAR CONTROLS	
D.11.02_0_68825	REAR TRANSMISSION	
D.12.01_0_63087	LATERAL REDUCTION GEARS	
D.13.01_0_68848	DIFFERENTIAL GEAR LOCK	
D.14.01_0_68864	PTO GEARS	
D.15.01_0_68904	PTO CLUTCH	
D.16.02_0_68980	POWER TAKE-OFF CONTROLS	
E.01.01_0_66561	FRONT ELECTRICAL SYSTEM	
E.02.01_0_66571	ENGINE ELECTRIC SYSTEM	
E.03.02_0_71747	REAR ELECTRICAL SYSTEM	
E.04.01_0_75942	SELF CLEANING SYSTEM	
E.04.02_0_75965	SELF CLEANING SYSTEM	
E.05.01_0_75541	JOYSTICK ELECTRICAL SYSTEM	
F.01.04_0_71182	HYDR. SYSTEM OIL SUCTION	
F.02.02_0_71225	HYDR. SYSTEM : HEAT EXCHANGER	
F.03.05_0_71400	STEERING HYDR. SYSTEM	
F.03.06_0_71462	STEERING HYDR. SYSTEM (VERSION WITH CAB)	
F.04.02_0_72430	PTO /DIFFERENTIAL LOCK HYDR. SYSTEM	
G.01.01_0_76014	AIR CONDITIONING COMPRESSOR	
I.01.01_0_74465	HYDR. CONTROL VALVES: AVAILABLE PARTS	
L.01.01_0_71524	RAISE/LOWER LIFT	
L.02.08_0_74307	CONTROL VALVES WITHOUT FREE DISCHARGE VERSION	
L.02.09_0_74355	CONTROL VALVES WITHOUT FREE DISCHARGE VERSION	
L.03.02_0_80398	CONTROL VALVES EQUIPMENT JOYSTICK	

Code	Description	Notes
L.04.01_0_80476	JOYSTICK DISTRIBUTOR ELECTRO VALVE	
M.01.01_0_72462	POSITION AND DRAFT CONTROL LIFT	
M.02.02_0_76124	POSITION DISTRIBUTOR LEVERS - MONITORED STRESS	
M.03.04_0_76502	CONTROL VALVES EQUIPMENT POSITION AND DRAFT	
T.01.04_0_71638	IMPLEMENTS ATTACHMENT - STANDARD	
T.01.05_0_71661	IMPLEMENTS ATTACHMENT - WITH QUICK HITCHES	
T.01.06_0_71844	IMPLEMENTS ATTACHMENT - ADJUSTABLE ARMS WITH QUICK HITCHES	
T.03.01_0_69018	PULL HOOK - STANDARD	
T.03.02_0_69087	POOL HOOK "EEC" APPROVED	
T.03.03_0_75993	SLIDER FRAME WITH EEC HOM. TOW HOOK	
U.01.01_0_69029	FRONT BALLASTS	
W.01.01_0_63109	WHEELS AND TYRES	
W.01.02_0_63140	WHEELS AND TYRES	
Y.01.01_0_65609	FRAME "LOCHMANN"	
Y.01.02_0_65668	FRONT GLASS "LOCHMANN"	
Y.01.03_0_65695	REAR GLASS "LOCHMANN"	
Y.01.04_0_65747	LEFT/RIGHT DOOR "LOCHMANN"	
Y.01.05_1_77860	ROOF - AIR CONDITIONING - HEATING "LOCHMANN"	
Y.01.06_1_77817	ROOF - AIR CONDITIONING - HEATING "LOCHMANN"	
Y.01.07_0_65899	ROOF AND UNDER-ROOF 4 POSTS CAB "LOCHMANN"	
Z.01.01_0_66603	ROTATING LAMP	



VM MOTORI

MOTORE 3 CILINDRI - "D753 E3"
 3 CYLINDERS ENGINE - "D753 E3"
 MOTEUR 3 CYLINDRES - "D753 E3"
 3 ZYLINDER MOTOR - "D753 E3"
 MOTOR 3 CILINDROS - "D753 E3"



Pos.	Code	Q.ty	Description	Notes
1	590A0387	1	FILTER SUPPORT	
2	590A0388	1	FILTER SUPPORT	
3	31111151	2	SCREW TE M8X16 UNI 5739 8G	
4	31112151	4	SCREW TE M8X25 UNI 5739 8G	
5	581A0331	1	FAN	
6	F0843643060	8	WASHER 8	
7	31211080	4	NUT M8	
8	31112174	1	SCREW TE M8X110 UNI 5737 8.8	
9	56172080	2	SPACER	
10	561A0579	1	SHIELD	
11	56177190	1	BRACKET	
12	F0843711000	1	WASHER D.24x8,5/4	
13	31112152	1	SCREW TE M8X30 UNI 5739 8G	
14	31411090	1	WASHER 9x24	
15	31421083	1	WASHER	
16	581A0271	1	ENGINE BELT	
17	581A0269	1	ENGINE BELT	
18	31111097	2	SCREW TE M6X45 UNI 5737 8G	
19	31411064	2	WASHER 6,4x12,5	
20	F0843570000	2	WASHER 6	
21	31211060	2	NUT M6	
22	58177400	1	OIL PIPE	
23	F0817500400	1	CLAMP 024,1-706R	
24	580A0788	1	TUBO COP-CIL.DECANTATORE 55-65	
25	F0817500430	1	CLAMP 030,1-706R	
26	F0817500410	2	CLAMP 025,6-706R	
27	58170866	1	NUT COVER	
28	590A0262	1	BRACKET	
29	31112210	1	SCREW TE M10X20 UNI 5739	
30	563A0265	1	SCREW	
31	563A0258	1	PULLEY	
32	37112172	1	BEARING	
33	35111047	1	SEEGER RING I 47 DIN 472	
34	31112149	1	SCREW TE M8X12 UNI 5739 8G	

SERIAL

ENGINE
Engine: 55 CV

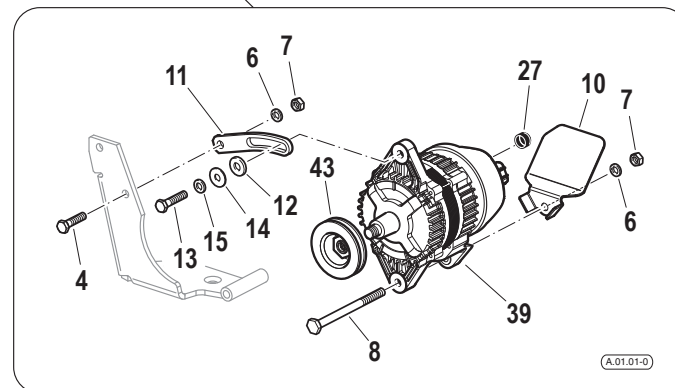
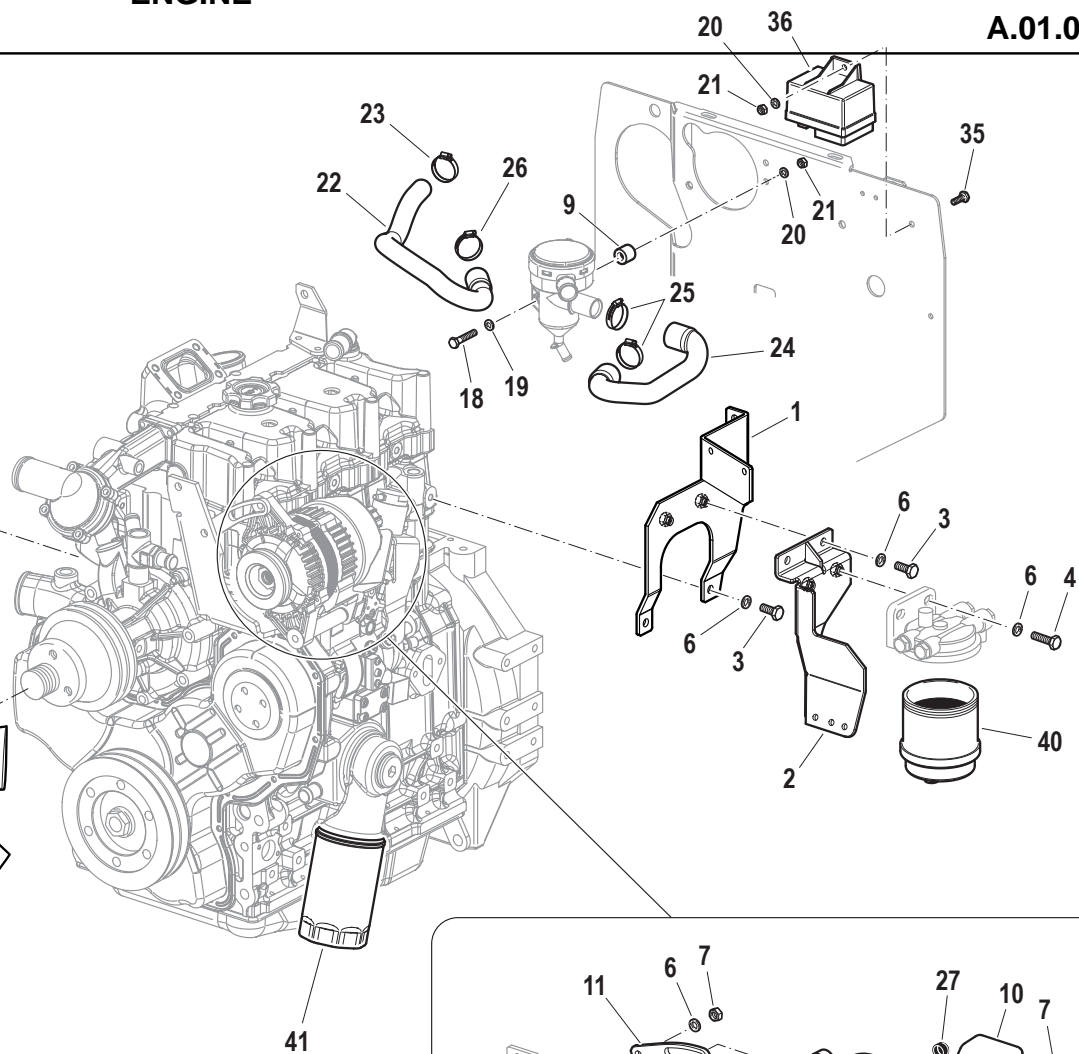
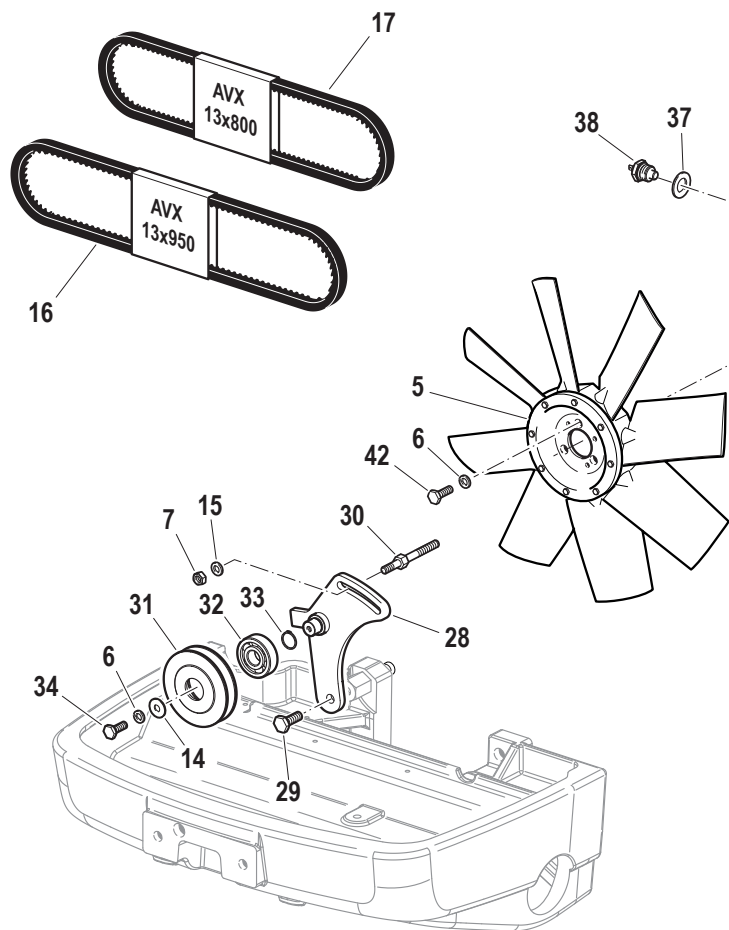
CODE REV

A.01.01_0_62724



VM MOTORI

MOTORE 3 CILINDRI - "D753 E3"
 3 CYLINDERS ENGINE - "D753 E3"
 MOTEUR 3 CYLINDRES - "D753 E3"
 3 ZYLINDER MOTOR - "D753 E3"
 MOTOR 3 CILINDROS - "D753 E3"



Pos.	Code	Q.ty	Description	Notes
35	31112090	1	SCREW TE M6X16 UNI 5739 8G	
36	59900345	1	CENTRAL PROCESSING UNIT	
37	F0844030070	1	COPPER WASHER 16,0x22/1,5	
38	58175773	1	ELECTRONICAL THERMOMETER	
39	59900344	1	ALTERNATOR	
40	58171200	1	FUEL FILTER CARTRIDGE	
41	58171199	1	OIL FILTER CARTRIDGE	
42	31112150	3	SCREW TE M8X20 UNI 5739 8G	
43	59901300	1	PULLEY ALTERNATOR	

SERIAL

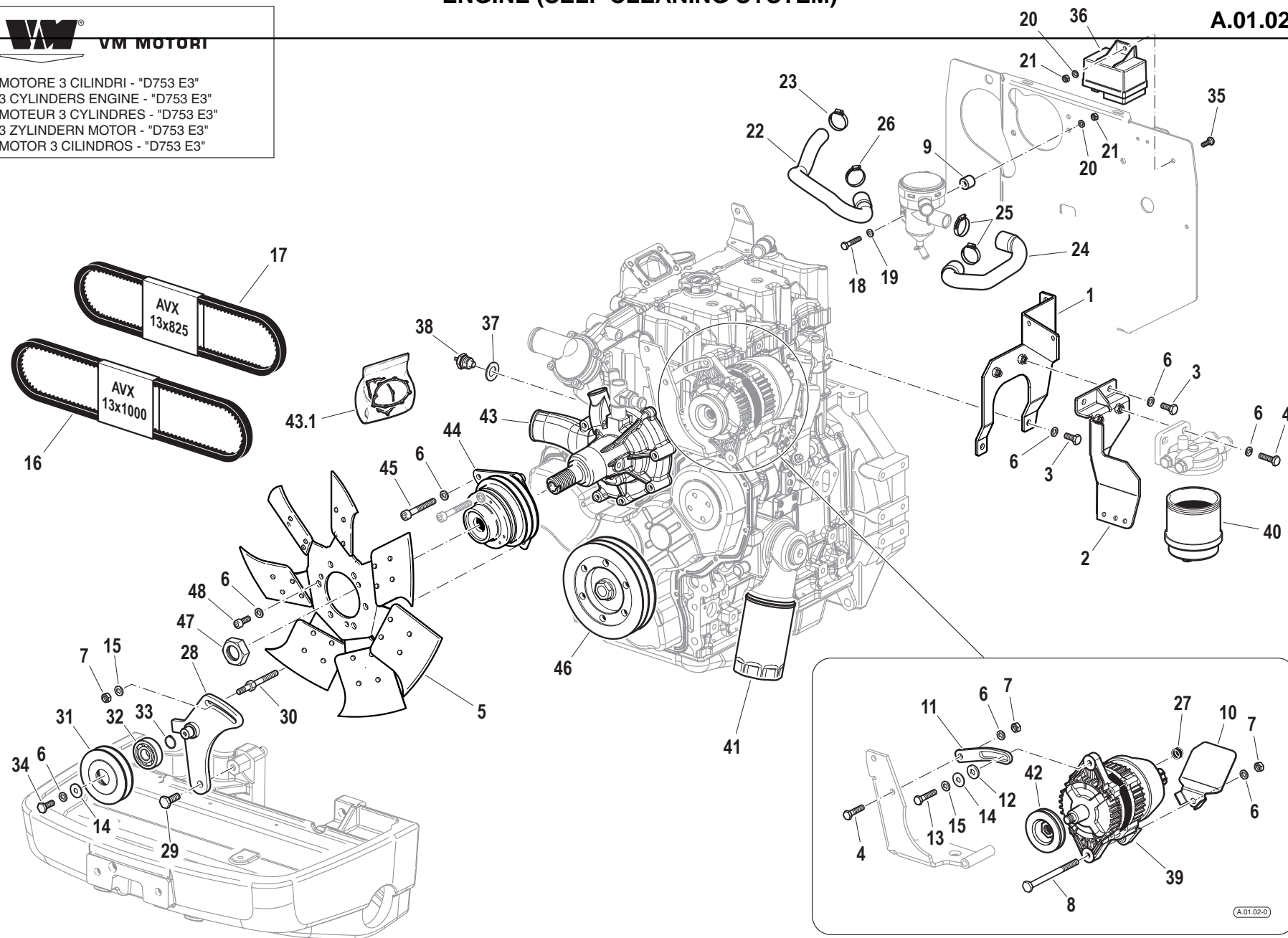
ENGINE
Engine: 55 CV

CODE REV

A.01.01_0_62724



MOTORE 3 CILINDRI - "D753 E3"
 3 CYLINDERS ENGINE - "D753 E3"
 MOTEUR 3 CYLINDRES - "D753 E3"
 3 ZYLINDER MOTOR - "D753 E3"
 MOTOR 3 CILINDROS - "D753 E3"



Pos.	Code	Q.ty	Description	Notes
1	590A0387	1	FILTER SUPPORT	
2	590A0388	1	FILTER SUPPORT	
3	31111151	2	SCREW TE M8X16 UNI 5739 8G	
4	31112151	4	SCREW TE M8X25 UNI 5739 8G	
5	581A0339	1	FAN	
6	F0843643060	8	WASHER 8	
7	31211080	4	NUT M8	
8	31112174	1	SCREW TE M8X110 UNI 5737 8.8	
9	56172080	2	SPACER	
10	561A0579	1	SHIELD	
11	56177190	1	BRACKET	
12	F0843711000	1	WASHER D.24x8,5/4	
13	31112152	1	SCREW TE M8X30 UNI 5739 8G	
14	31411090	1	WASHER 9x24	
15	31421083	1	WASHER	
16	581A0274	1	ENGINE BELT	
17	581A0272	1	ENGINE BELT	
18	31111097	2	SCREW TE M6X45 UNI 5737 8G	
19	31411064	2	WASHER 6,4x12,5	
20	F0843570000	2	WASHER 6	
21	31211060	2	NUT M6	
22	58177400	1	OIL PIPE	
23	F0817500400	1	CLAMP 024,1-706R	
24	580A0788	1	TUBO COP-CIL.DECANTATORE 55-65	
25	F0817500430	1	CLAMP 030,1-706R	
26	F0817500410	2	CLAMP 025,6-706R	
27	58170866	1	NUT COVER	
28	590A0262	1	BRACKET	
29	31112210	1	SCREW TE M10X20 UNI 5739	
30	563A0265	1	SCREW	
31	563A0258	1	PULLEY	
32	37112172	1	BEARING	
33	35111047	1	SEEGER RING I 47 DIN 472	
34	31112149	1	SCREW TE M8X12 UNI 5739 8G	

SERIAL

ENGINE (SELF CLEANING SYSTEM)

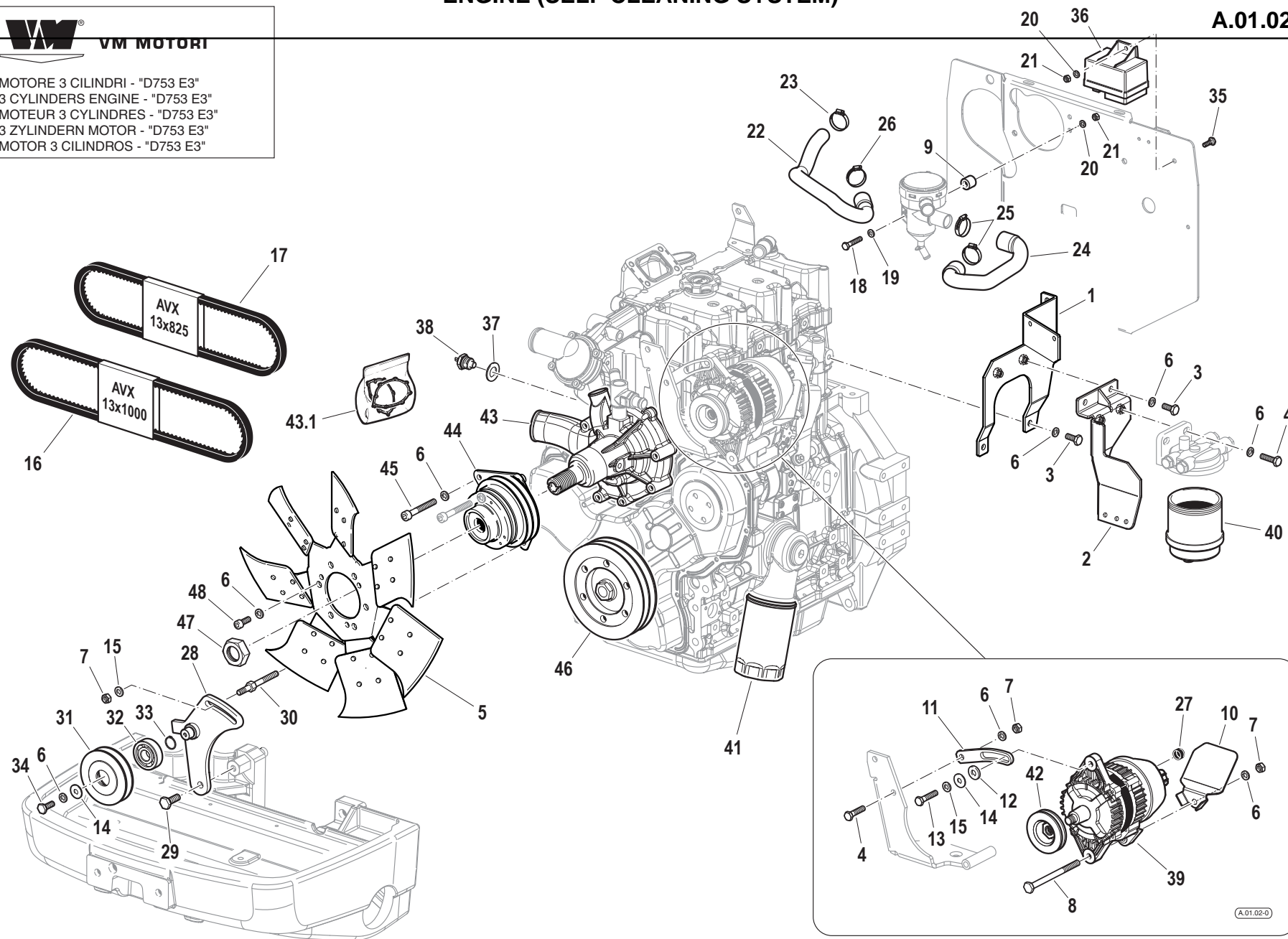
Engine: 55 CV

CODE REV

A.01.02_0_62287



MOTORE 3 CILINDRI - "D753 E3"
 3 CYLINDERS ENGINE - "D753 E3"
 MOTEUR 3 CYLINDRES - "D753 E3"
 3 ZYLINDER MOTOR - "D753 E3"
 MOTOR 3 CILINDROS - "D753 E3"



Pos.	Code	Q.ty	Description	Notes
35	31112090	1	SCREW TE M6X16 UNI 5739 8G	
36	59900345	1	CENTRAL PROCESSING UNIT	
37	F0844030070	1	COPPER WASHER 16,0x22/1,5	
38	58175773	1	ELECTRONICAL THERMOMETER	
39	59900344	1	ALTERNATOR	
40	58171200	1	FUEL FILTER CARTRIDGE	
41	58171199	1	OIL FILTER CARTRIDGE	
42	56377846	1	PULLEY	
43	58079130	1	PUMP	
43.1	59901265	1	GASKET SET	
44	58177811	1	CLUTCH	
45	31152088	2	SCREW TCEI M8X55 UNI 5931	
46	56377847	1	PULLEY	
47	59901264	1	RING NUT	
48	F0862495010	3	SCREW M8X16 UNI 5931	

SERIAL

ENGINE (SELF CLEANING SYSTEM)

Engine: 55 CV

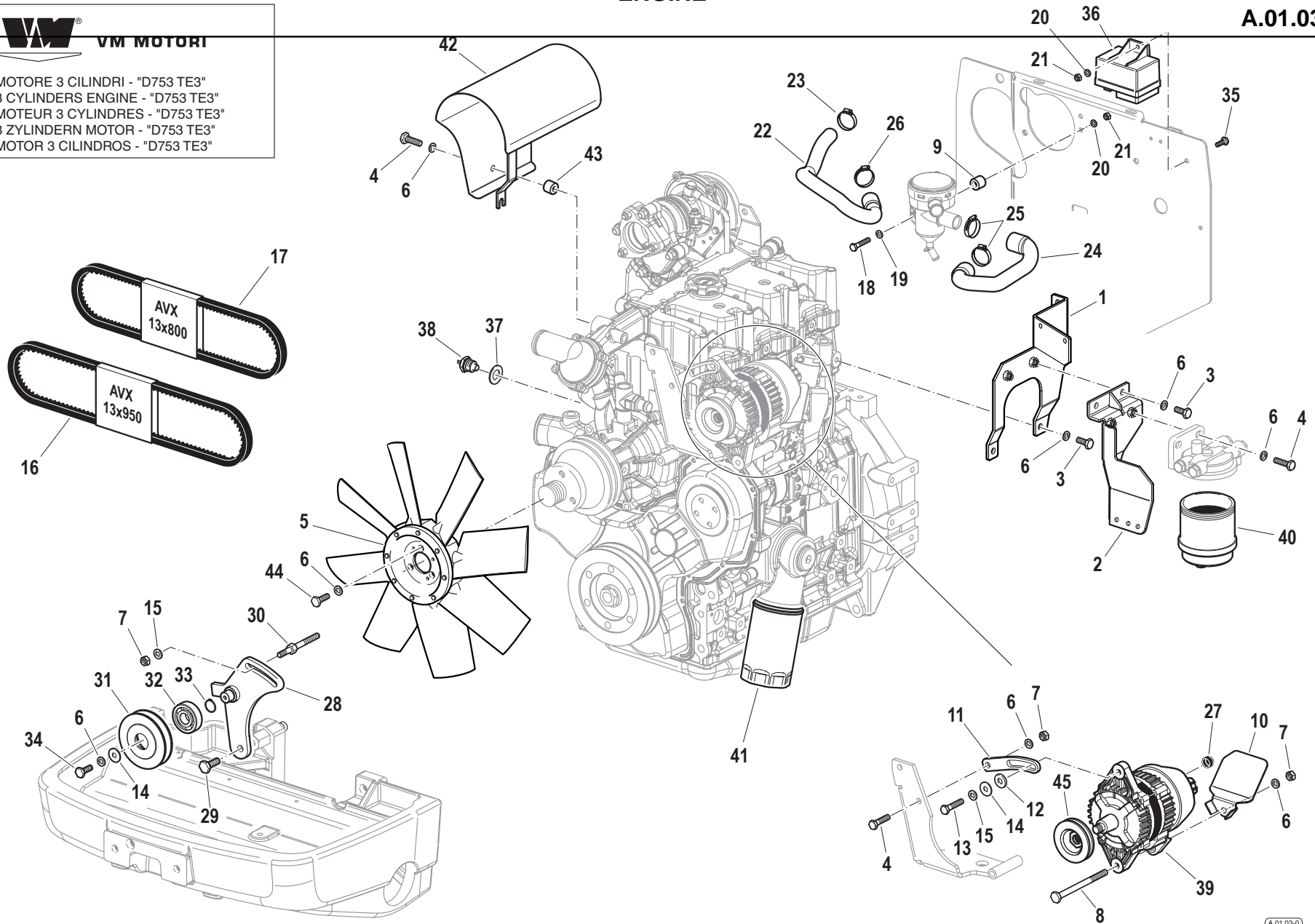
CODE REV

A.01.02_0_62287



VM MOTORI

MOTORE 3 CILINDRI - "D753 TE3"
 3 CYLINDERS ENGINE - "D753 TE3"
 MOTEUR 3 CYLINDRES - "D753 TE3"
 3 ZYLINDER MOTOR - "D753 TE3"
 MOTOR 3 CILINDROS - "D753 TE3"



Pos.	Code	Q.ty	Description	Notes
1	590A0387	1	FILTER SUPPORT	
2	590A0388	1	FILTER SUPPORT	
3	31111151	2	SCREW TE M8X16 UNI 5739 8G	
4	31112151	4	SCREW TE M8X25 UNI 5739 8G	
5	581A0331	1	FAN	
6	F0843643060	8	WASHER 8	
7	31211080	4	NUT M8	
8	31112174	1	SCREW TE M8X110 UNI 5737 8.8	
9	56172080	2	SPACER	
10	561A0579	1	SHIELD	
11	56177190	1	BRACKET	
12	F0843711000	1	WASHER D.24x8,5/4	
13	31112152	1	SCREW TE M8X30 UNI 5739 8G	
14	31411090	1	WASHER 9x24	
15	31421083	1	WASHER	
16	581A0271	1	ENGINE BELT	
17	581A0269	1	ENGINE BELT	
18	31111097	2	SCREW TE M6X45 UNI 5737 8G	
19	31411064	2	WASHER 6,4x12,5	
20	F0843570000	2	WASHER 6	
21	31211060	2	NUT M6	
22	58177400	1	OIL PIPE	
23	F0817500400	1	CLAMP 024,1-706R	
24	580A0788	1	TUBO COP-CIL.DECANTATORE 55-65	
25	F0817500430	1	CLAMP 030,1-706R	
26	F0817500410	2	CLAMP 025,6-706R	
27	58170866	1	NUT COVER	
28	590A0262	1	BRACKET	
29	31112210	1	SCREW TE M10X20 UNI 5739	
30	563A0265	1	SCREW	
31	563A0258	1	PULLEY	
32	37112172	1	BEARING	
33	35111047	1	SEEGER RING I 47 DIN 472	
34	31112149	1	SCREW TE M8X12 UNI 5739 8G	

SERIAL

ENGINE
Engine: 65 CV

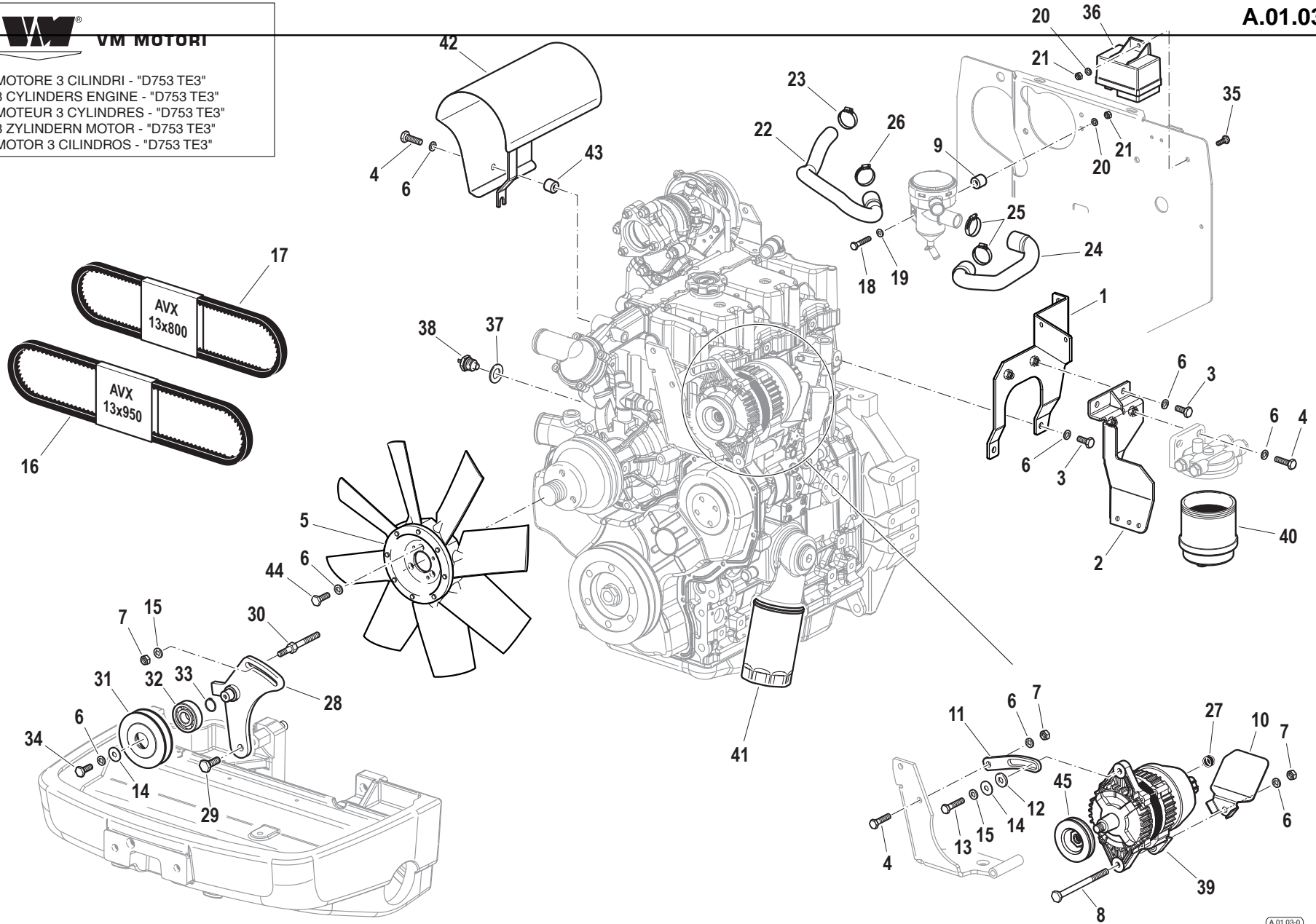
CODE REV

A.01.03_0_62768



VM MOTORI

MOTORE 3 CILINDRI - "D753 TE3"
 3 CYLINDERS ENGINE - "D753 TE3"
 MOTEUR 3 CYLINDRES - "D753 TE3"
 3 ZYLINDER MOTOR - "D753 TE3"
 MOTOR 3 CILINDROS - "D753 TE3"



Pos.	Code	Q.ty	Description	Notes
35	31112090	1	SCREW TE M6X16 UNI 5739 8G	
36	59900345	1	CENTRAL PROCESSING UNIT	
37	F0844030070	1	COPPER WASHER 16,0x22/1,5	
38	58175773	1	ELECTRONICAL THERMOMETER	
39	59900344	1	ALTERNATOR	
40	58171200	1	FUEL FILTER CARTRIDGE	
41	58171199	1	OIL FILTER CARTRIDGE	
42	590A0359	1	GUARD	
43	56171996	1	SPACER	
44	31112150	3	SCREW TE M8X20 UNI 5739 8G	
45	59901300	1	PULLEY ALTERNATOR	

SERIAL

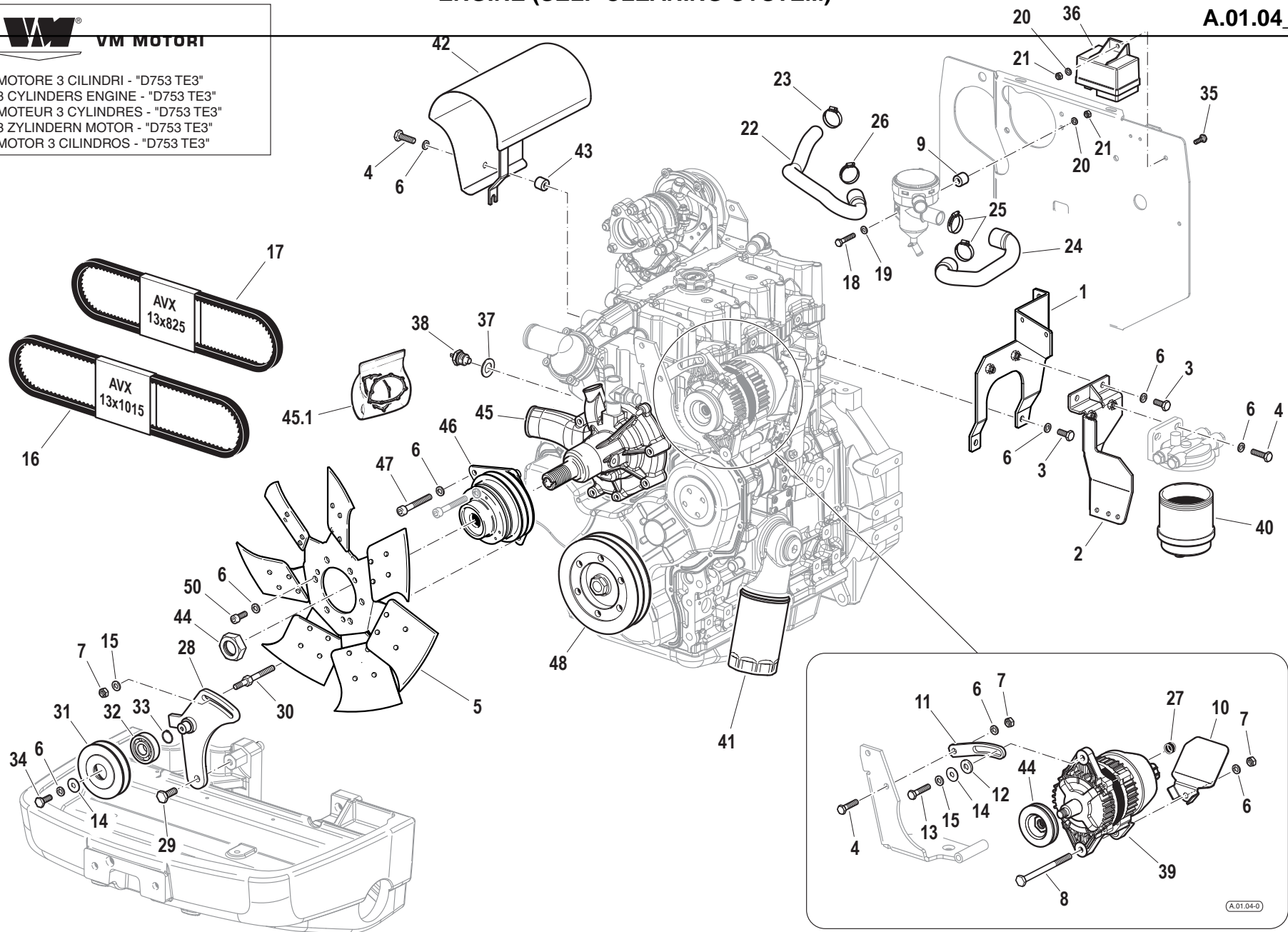
ENGINE
Engine: 65 CV

CODE REV

A.01.03_0_62768



MOTORE 3 CILINDRI - "D753 TE3"
 3 CYLINDERS ENGINE - "D753 TE3"
 MOTEUR 3 CYLINDRES - "D753 TE3"
 3 ZYLINDER MOTOR - "D753 TE3"
 MOTOR 3 CILINDROS - "D753 TE3"



Pos.	Code	Q.ty	Description	Notes
1	590A0387	1	FILTER SUPPORT	
2	590A0388	1	FILTER SUPPORT	
3	31111151	2	SCREW TE M8X16 UNI 5739 8G	
4	31112151	4	SCREW TE M8X25 UNI 5739 8G	
5	581A0339	1	FAN	
6	F0843643060	8	WASHER 8	
7	31211080	4	NUT M8	
8	31112174	1	SCREW TE M8X110 UNI 5737 8.8	
9	56172080	2	SPACER	
10	561A0579	1	SHIELD	
11	56177190	1	BRACKET	
12	F0843711000	1	WASHER D.24x8,5/4	
13	31112152	1	SCREW TE M8X30 UNI 5739 8G	
14	31411090	1	WASHER 9x24	
15	31421083	1	WASHER	
16	581A0722	1	BELT	
17	581A0272	1	ENGINE BELT	
18	31111097	2	SCREW TE M6X45 UNI 5737 8G	
19	31411064	2	WASHER 6,4x12,5	
20	F0843570000	2	WASHER 6	
21	31211060	2	NUT M6	
22	58177400	1	OIL PIPE	
23	F0817500400	1	CLAMP 024,1-706R	
24	580A0788	1	TUBO COP-CIL.DECANTATORE 55-65	
25	F0817500430	1	CLAMP 030,1-706R	
26	F0817500410	2	CLAMP 025,6-706R	
27	58170866	1	NUT COVER	
28	590A0262	1	BRACKET	
29	31112210	1	SCREW TE M10X20 UNI 5739	
30	563A0265	1	SCREW	
31	563A0258	1	PULLEY	
32	37112172	1	BEARING	
33	35111047	1	SEEGER RING I 47 DIN 472	
34	31112149	1	SCREW TE M8X12 UNI 5739 8G	

SERIAL

ENGINE (SELF CLEANING SYSTEM)

Engine: 65 CV

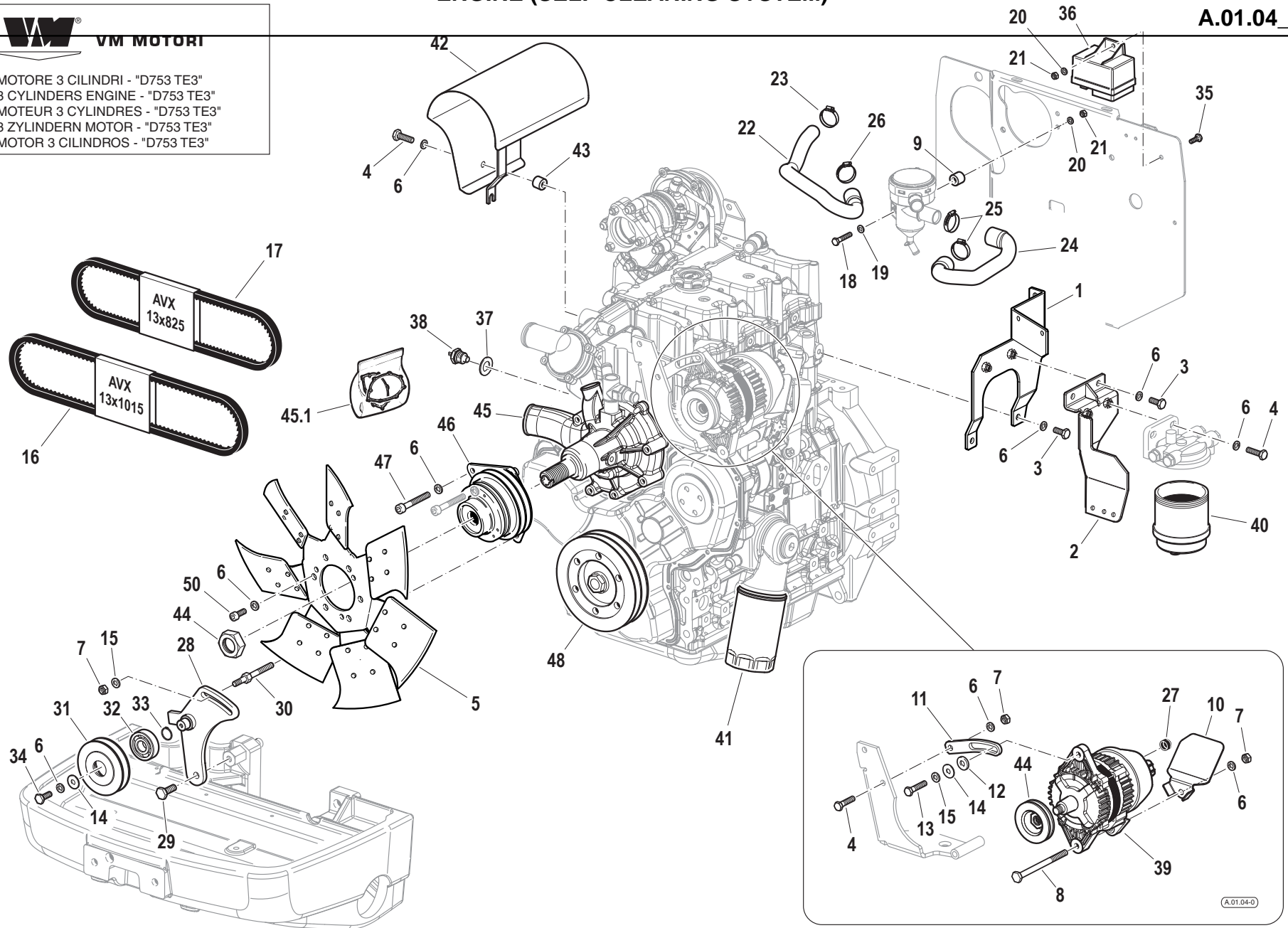
CODE REV

A.01.04_0_62337

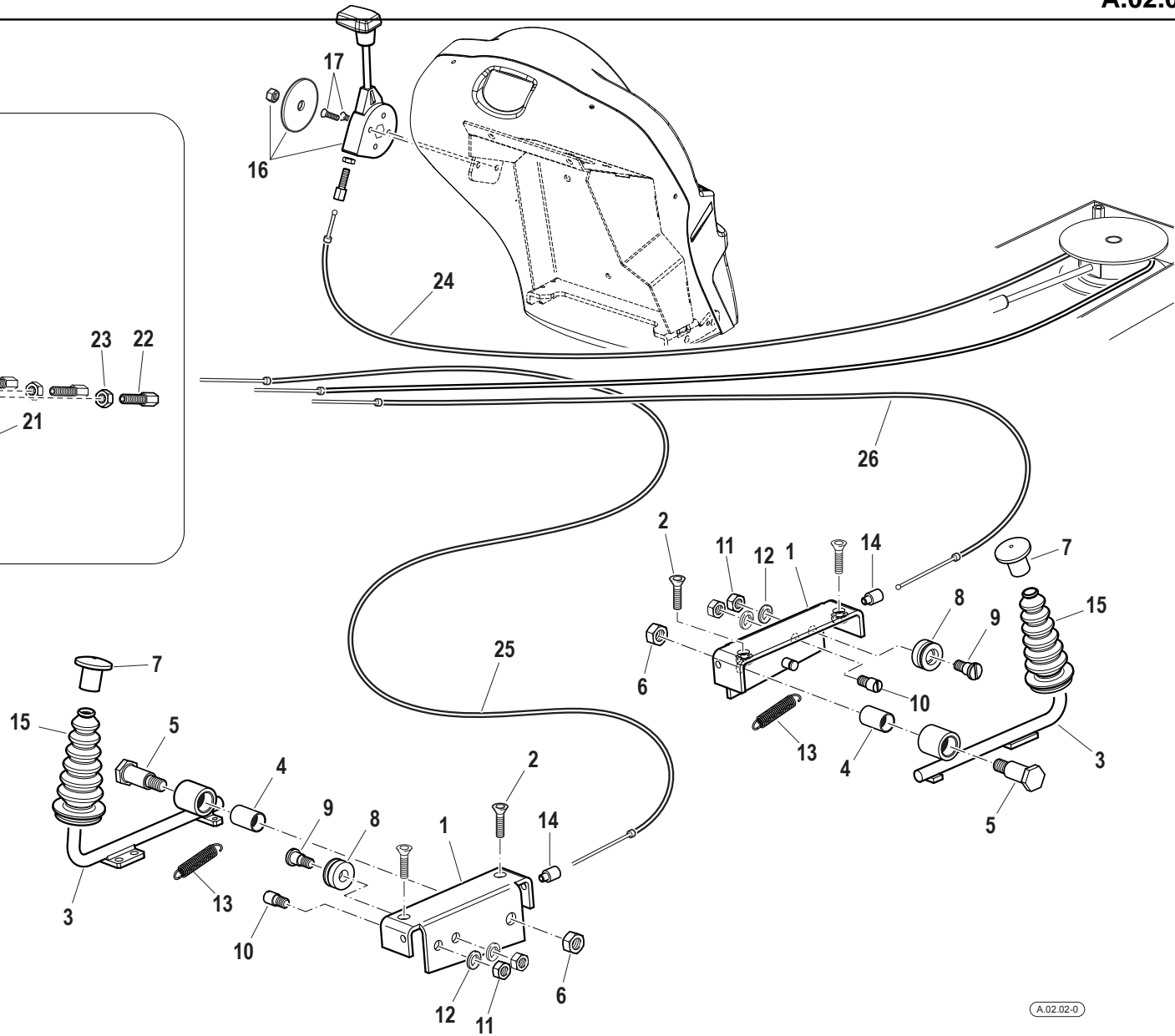
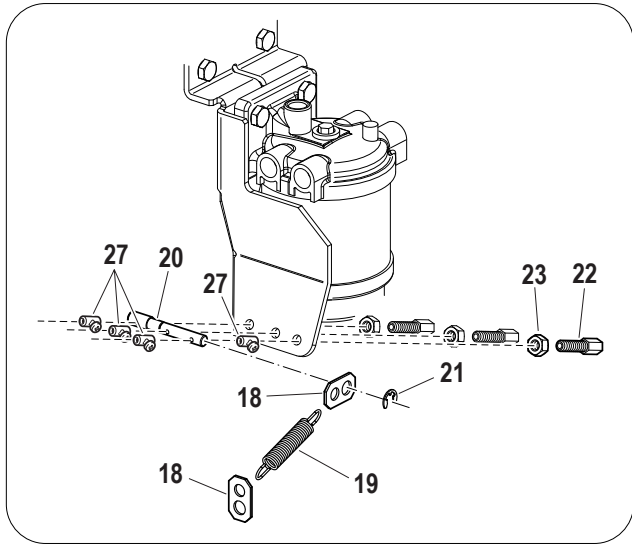
ENGINE (SELF CLEANING SYSTEM)



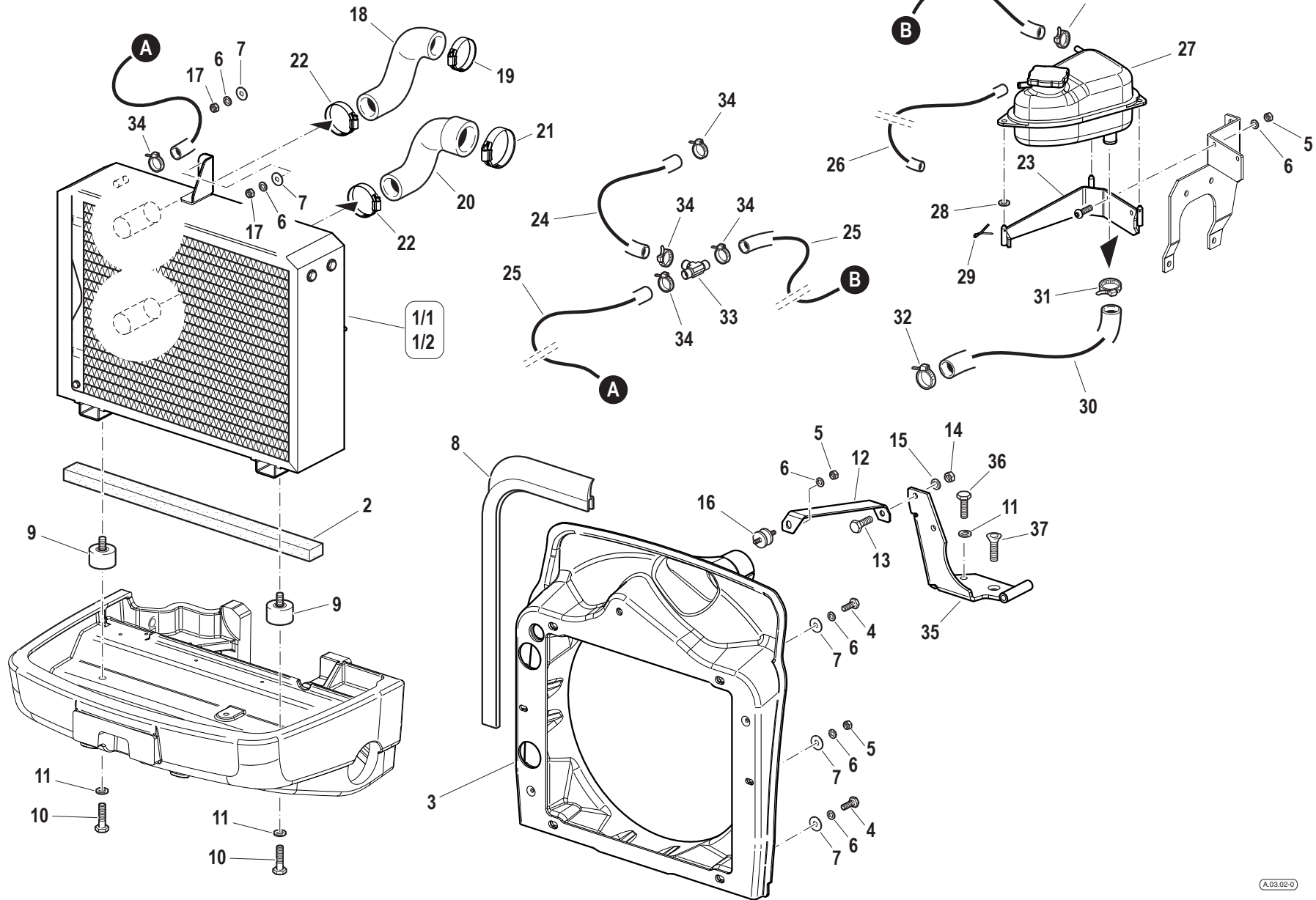
MOTORE 3 CILINDRI - "D753 TE3"
 3 CYLINDERS ENGINE - "D753 TE3"
 MOTEUR 3 CYLINDRES - "D753 TE3"
 3 ZYLINDER MOTOR - "D753 TE3"
 MOTOR 3 CILINDROS - "D753 TE3"



Pos.	Code	Q.ty	Description	Notes
35	31112090	1	SCREW TE M6X16 UNI 5739 8G	
36	59900345	1	CENTRAL PROCESSING UNIT	
37	F0844030070	1	COPPER WASHER 16,0x22/1,5	
38	58175773	1	ELECTRONICAL THERMOMETER	
39	59900344	1	ALTERNATOR	
40	58171200	1	FUEL FILTER CARTRIDGE	
41	58171199	1	OIL FILTER CARTRIDGE	
42	590A0359	1	GUARD	
43	56171996	1	SPACER	
44	563A0225	1	PULLEY ALTERNATOR	
45	58079130	1	PUMP	
45.1	59901265	1	GASKET SET	
46	58177811	1	CLUTCH	
47	31152088	2	SCREW TCEI M8X55 UNI 5931	
48	563A0224	1	CRANK SHAFT PULLEY	
49	59901264	1	RING NUT	
50	F0862495010	3	SCREW M8X16 UNI 5931	



Pos.	Code	Q.ty	Description	Notes
1	59077107	2	BRACKET	
2	F0862481000	4	SCREW M8x16 UNI 5933	
3	59077101	2	ACCEL. PEDAL	
4	30030016	2	BUSHING 14x25	
5	56377112	2	SCREW	
6	31241101	2	SELFLOCK NUT M10	
7	57377110	2	FOOT REST	
8	57377106	2	PULLEY	
9	56375436	2	HINGE PIN	
10	56177648	2	GUIDE PIN	
11	31231080	4	NUT M8	
12	F0843643060	4	WASHER 8	
13	58073227	2	SPRING	
14	58177111	2	SLEEVE	
15	55277307	2	BELLOWS	
16	P23810600000	1	ACCELERATOR	
17	31132562	2	SCREW TSVEI M6X16 UNI 5933	
18	560A0494	2	PLATE	
19	580A0495	1	RESTORING SPRING	
20	561A0493	1	PIN	
21	F0801009000	1	RING RA 5-041 DIN 6799	
22	56177656	3	REGISTER	
23	31231080	3	NUT M8	
24	580A0602	1	CABLE	
25	580A0604	1	CABLE	
26	580A0605	1	CABLE	
27	58048002	4	CLAMPING SCREW	



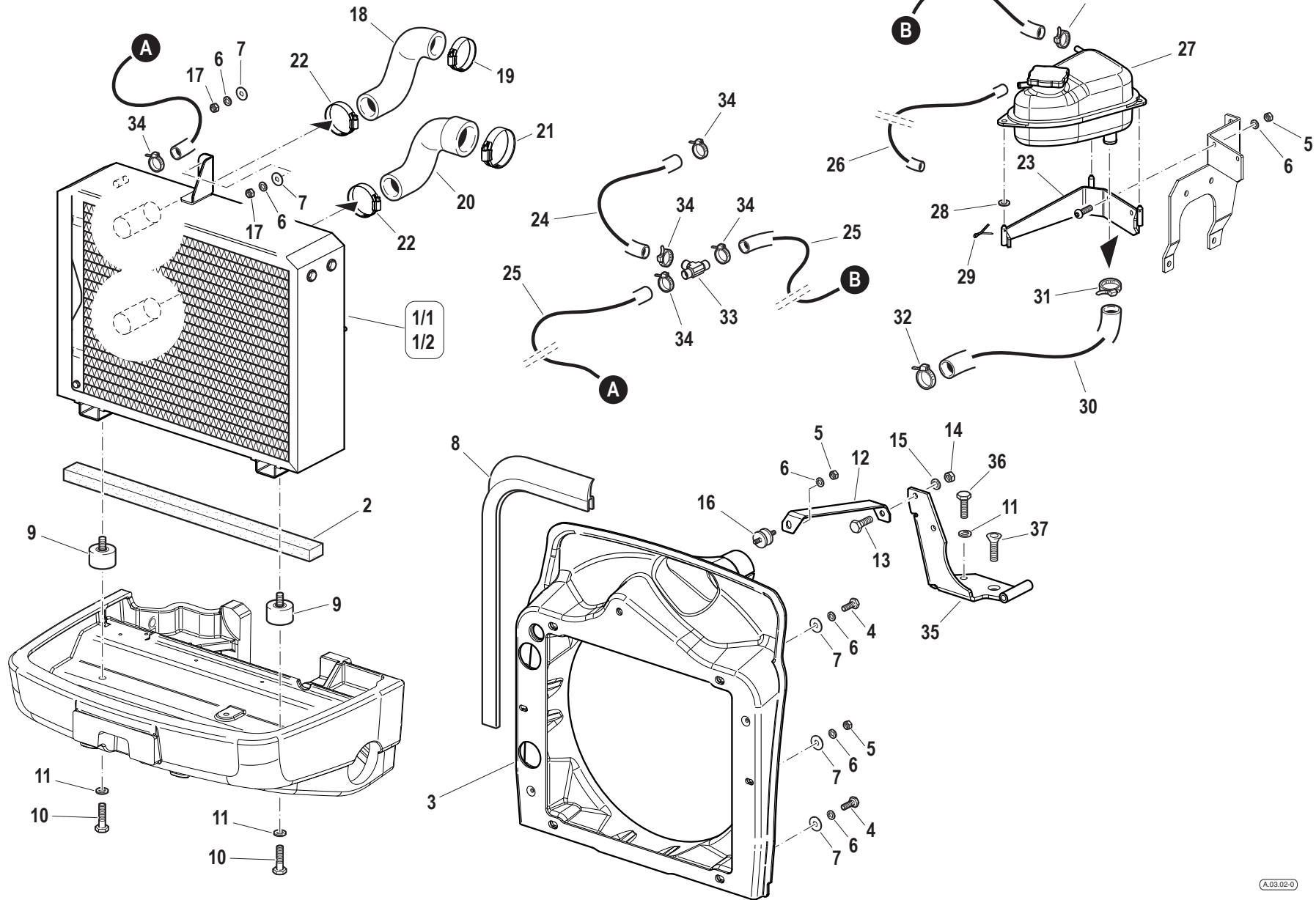
Pos.	Code	Q.ty	Description	Notes
1/1	581A0620	1	RADIATOR	
1/2	581A0621	1	RADIATOR	
2	F0256910009	1	FOAM PROFILE 5X15	
3	57379927	1	DUCT	
4	31112090	4	SCREW TE M6X16 UNI 5739 8G	
5	31211060	2	NUT M6	
6	F0843570000	10	WASHER 6	
7	31411066	6	WASHER 6,6x18	
8	F0256809050	1	GASKET	
9	58179783	2	SILENT-BLOCK	
10	31112229	2	SCREW M10x22 UNI 5739	
11	F0843755000	3	WASHER 10	
12	561A0083	1	FIXING BRACKET	
13	31112151	1	SCREW TE M8X25 UNI 5739 8G	
14	31211080	1	NUT M8	
15	F0843643060	1	WASHER 8	
16	F0849206005	1	SILENT-BLOCK	
17	F0814545000	2	NUT M6	
18	55174632	1	SLEEVE	
19	F0817500500	1	CLAMP 048,5-706R	
20	55177639	1	SLEEVE	
21	F0817500700	1	CLAMP 057,5-706R	
22	F0817500470	2	CLAMP	
23	590A0389	1	SUPPORT	
24	580A0606	1	PIPE R6 (8x14) L=160	
25	58075873	2	VENT HOSE	
26	F0256112009	1	PIPE	
27	58093053	1	CUP	
28	F0824022000	3	SPECIAL GASKET D.8,4X12/1	
29	F0810510000	3	SPLIT PIN A2,0X20 UNI 1336	
30	580A0419	1	RUBBER HOSE	
31	F0817500410	1	CLAMP 025,6-706R	
32	F0817500400	1	CLAMP 024,1-706R	
33	58170339	1	PIPE FITTING	

SERIAL

COOLER

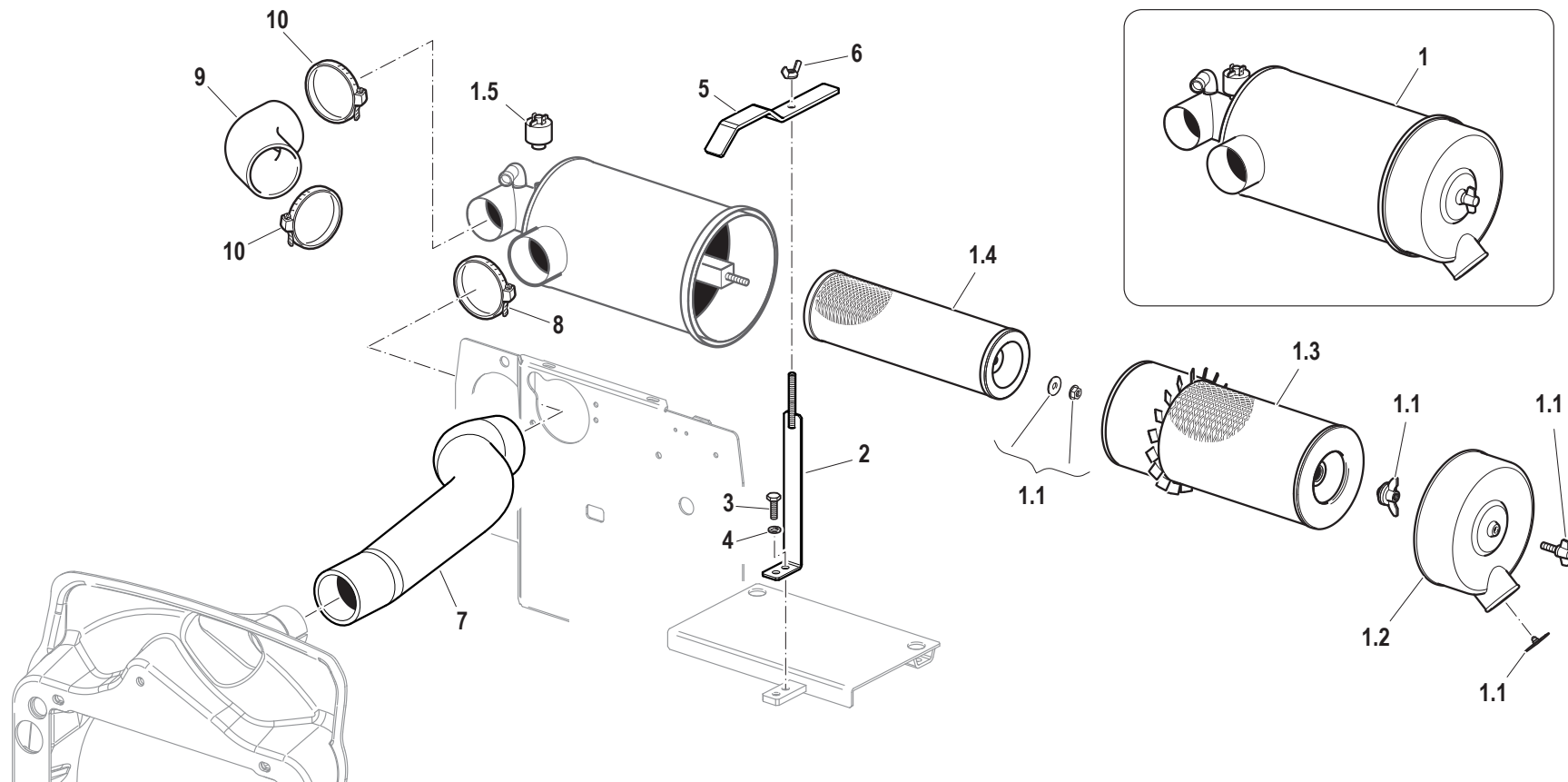
CODE REV

A.03.01_0_61765



Pos.	Code	Q.ty	Description	Notes
34	F0817500200	6	CLAMP 015,7-706R	
35	590A0082	1	RETAINER	
36	31112219	1	SCREW TE M10X25 UNI 5739	
37	31133600	1	SCREW TSVEI M10X25 U5933	

AIR FILTER



Pos.	Code	Q.ty	Description	Notes
1	58176755	1	AIR FILTER	
1.1	59900353	1	KIT	
1.2	59900347	1	COVER	
1.3	58171028	1	CARTOUCHE	
1.4	58171027	1	CARTOUCHE	
1.5	58175122	1	DIGITAL INSTRUMENT	
2	590A0080	1	ROD	
3	31112149	1	SCREW TE M8X12 UNI 5739 8G	
4	F0843643060	1	WASHER 8	
5	561A0081	1	FIXING BRACKET	
6	31200501	1	NUT M8	
7	580A0024	1	SUCTION PIPE	
8	F0817501200	1	CLAMP 077,0-706R	
9	58076751	1	SLEEVE	
10	F0817501000	2	CLAMP 072,5-706R	

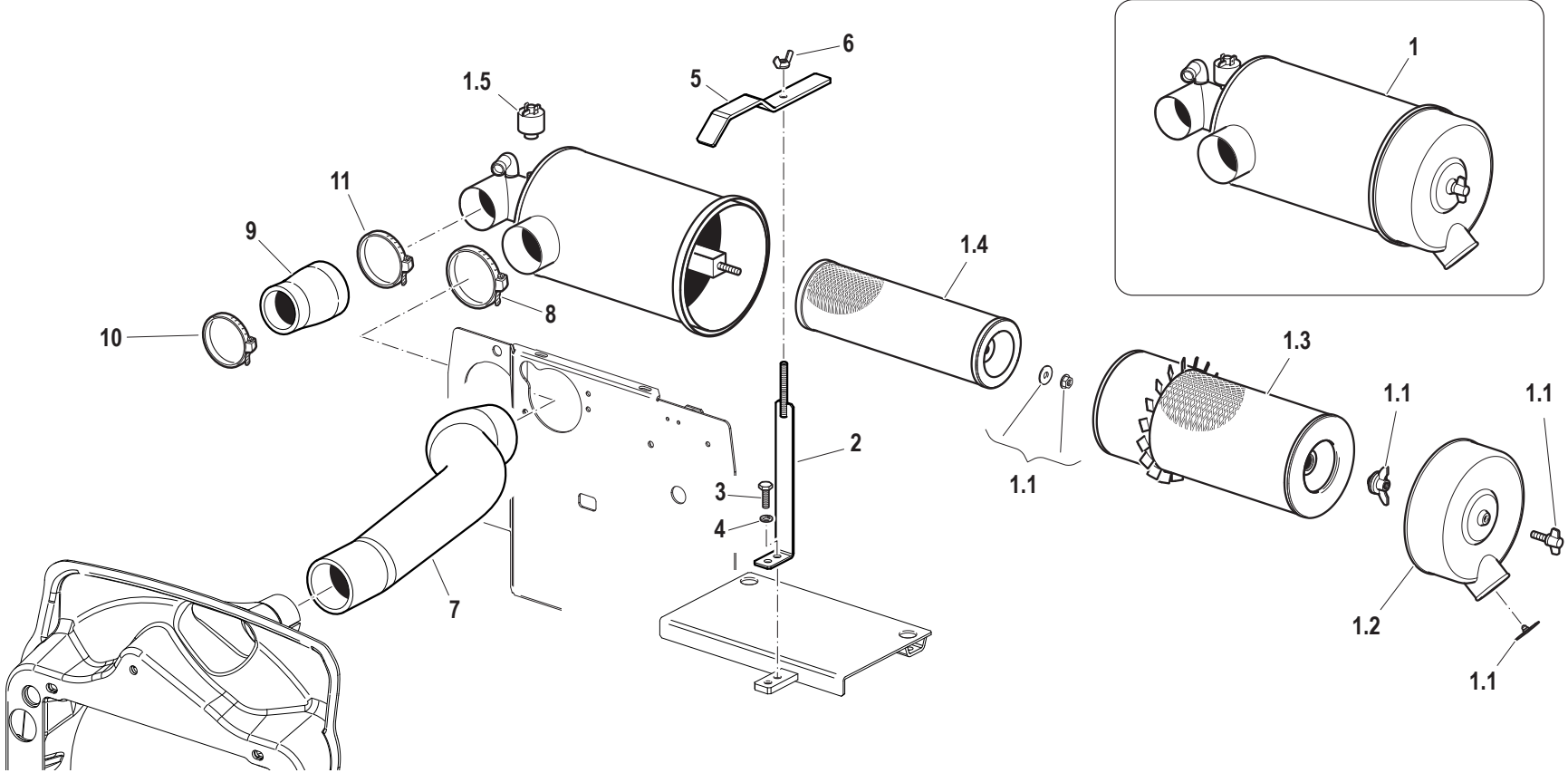
SERIAL

AIR FILTER
Engine: 55 CV

CODE REV

A.04.01_1_61804

AIR FILTER



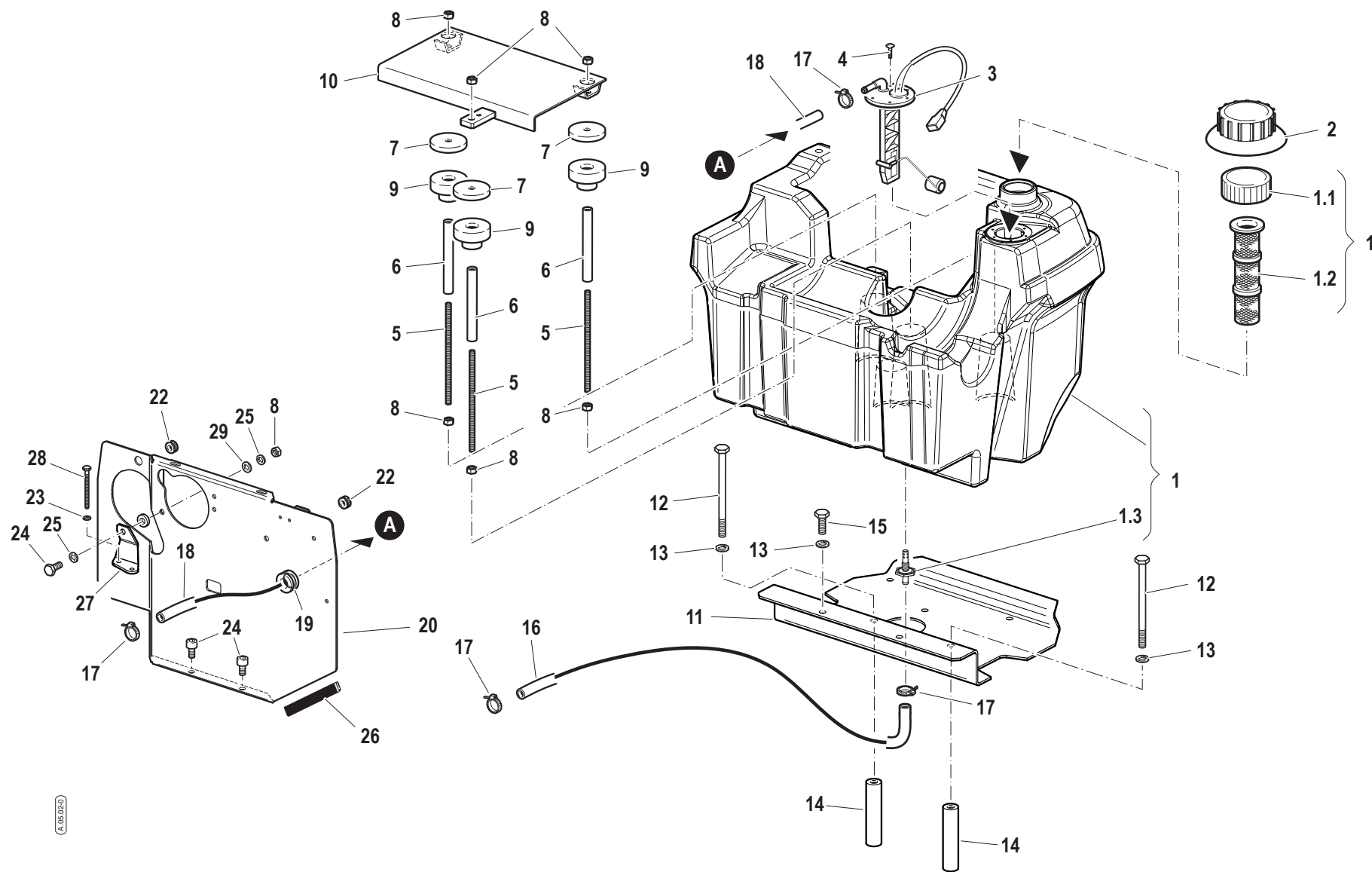
Pos.	Code	Q.ty	Description	Notes
1	58176755	1	AIR FILTER	
1.1	59900353	1	KIT	
1.2	59900347	1	COVER	
1.3	58171028	1	CARTOUCHE	
1.4	58171027	1	CARTOUCHE	
1.5	58175122	1	DIGITAL INSTRUMENT	
2	590A0080	1	ROD	
3	31112149	1	SCREW TE M8X12 UNI 5739 8G	
4	F0843643060	1	WASHER 8	
5	561A0081	1	FIXING BRACKET	
6	31200501	1	NUT M8	
7	580A0024	1	SUCTION PIPE	
8	F0817501200	1	CLAMP 077,0-706R	
9	55174760	1	SLEEVE	
10	F0817500800	1	CLAMP 062,0-706R	
11	F0817500900	1	CLAMP 069,5-706R	

SERIAL

AIR FILTER
Engine: 65 CV

CODE REV

A.04.02_1_61820



A.05.02_0

Pos.	Code	Q.ty	Description	Notes
1	55279677	1	FUEL TANK	
1.1	F0849500001	1	TANK COVER	
1.2	F0849500002	1	FILTER	
1.3	57174915	1	PIPE FITTING	
2	57371900	1	LINING	
3	58170238	1	CONTROL	
4	F0861867050	6	SCREW M4,2X19 DIN 7981	
5	56077608	3	ROD	
6	56176696	3	SPACER D.14x9/155,5	
7	56176814	3	SPACER D.55x8/4	
8	31211080	6	NUT M8	
9	58076752	3	STOPPER	
10	59076685	1	BATTERY SUPPORT	
11	590A0930	1	SUPPORT	
12	31112224	2	SCREW TE M10X130 UNI 5737	
13	F0843755000	4	WASHER 10	
14	56171775	2	SPACER	
15	31112210	2	SCREW TE M10X20 UNI 5739	
16	58070690	1	PIPE	
17	F0817500200	4	CLAMP 015,7-706R	
18	580A0607	1	TUBO CARBOPRESS(8x15)L=720	
19	58171901	1	CABLE GLAND 15,5-24-32-2	
20	590A0020	1	DIVISION	
21	31411084	1	WASHER 8,4x17	
22	F0825414000	2	CABLE GLAND 7-15-18,5-2,5	
23	F0843570000	4	WASHER 6	
24	31111151	1	SCREW TE M8X16 UNI 5739 8G	
25	F0843643060	1	WASHER 8	
26	F0256808000	1	FLAT BAND	
27	561A0391	1	REINFORCED STRAP	
28	31112096	2	SCREW TE M6X85 UNI 5737 8G	

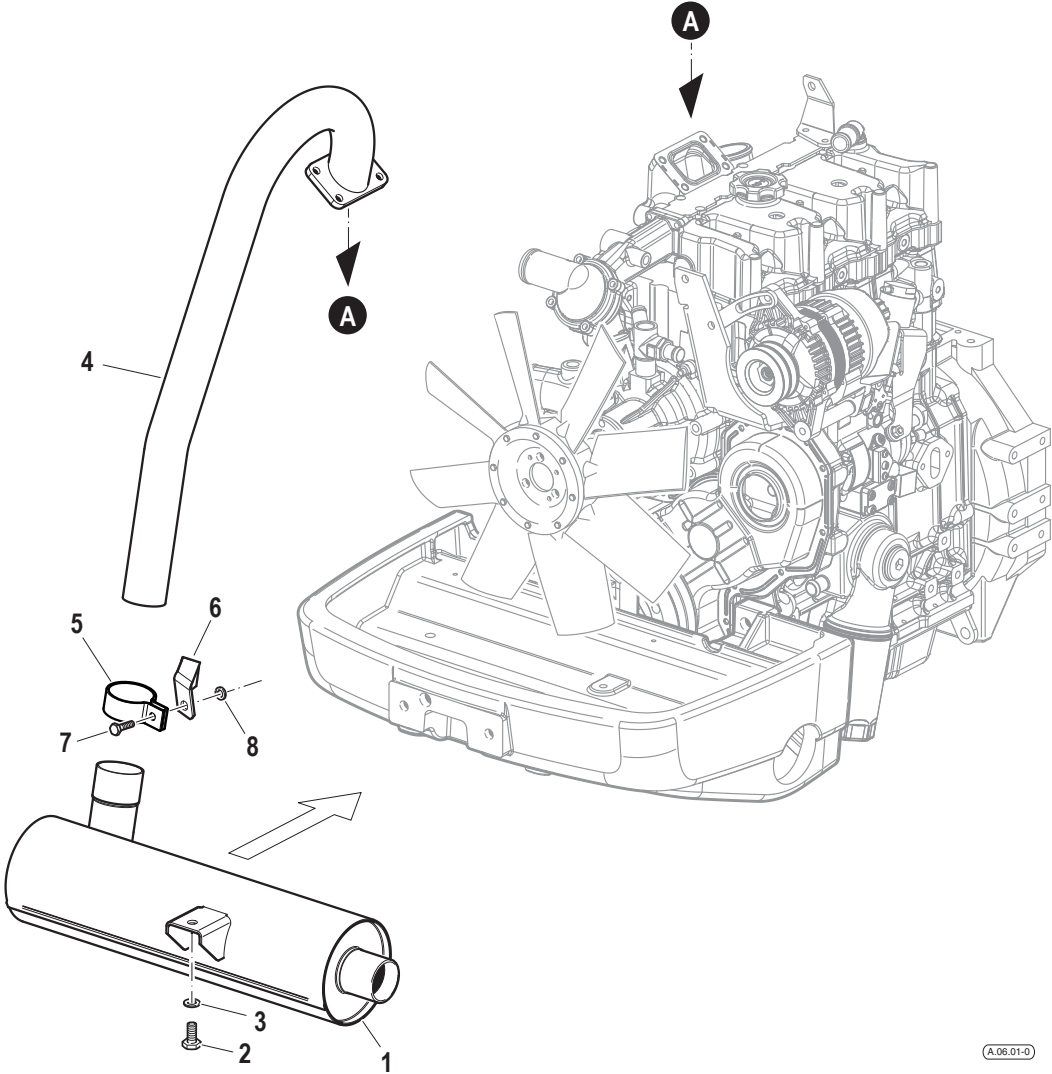
SERIAL

FUEL TANK

CODE REV

A.05.02_0_61870

MUFFLER



Pos.	Code	Q.ty	Description	Notes
1	58179707	1	EXHAUST SILENCER	
2	31112208	1	SCREW TE M10X16 UNI 5739	
3	F0843755000	1	WASHER 10	
4	590A0030	1	EXHAUST	
5	58175121	1	COLLAR	
6	561A0102	1	FIXING BRACKET	
7	31111151	1	SCREW TE M8X16 UNI 5739 8G	
8	F0843643060	1	WASHER 8	

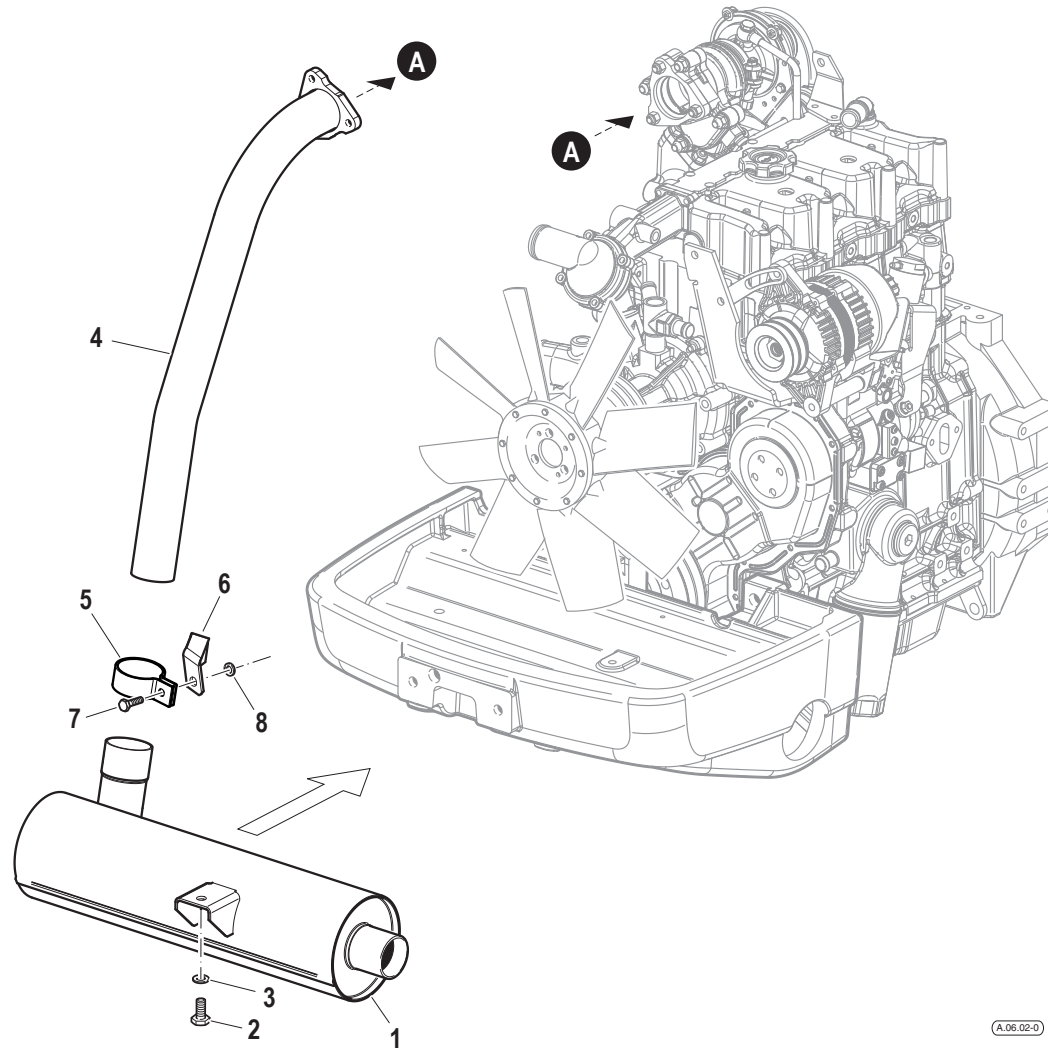
SERIAL

MUFFLER
Engine: 55 CV

CODE REV

A.06.01_0_62389

MUFFLER



Pos.	Code	Q.ty	Description	Notes
1	58179707	1	EXHAUST SILENCER	
2	31112208	1	SCREW TE M10X16 UNI 5739	
3	F0843755000	1	WASHER 10	
4	590A0031	1	EXHAUST	
5	58175121	1	COLLAR	
6	561A0102	1	FIXING BRACKET	
7	31111151	1	SCREW TE M8X16 UNI 5739 8G	
8	F0843643060	1	WASHER 8	

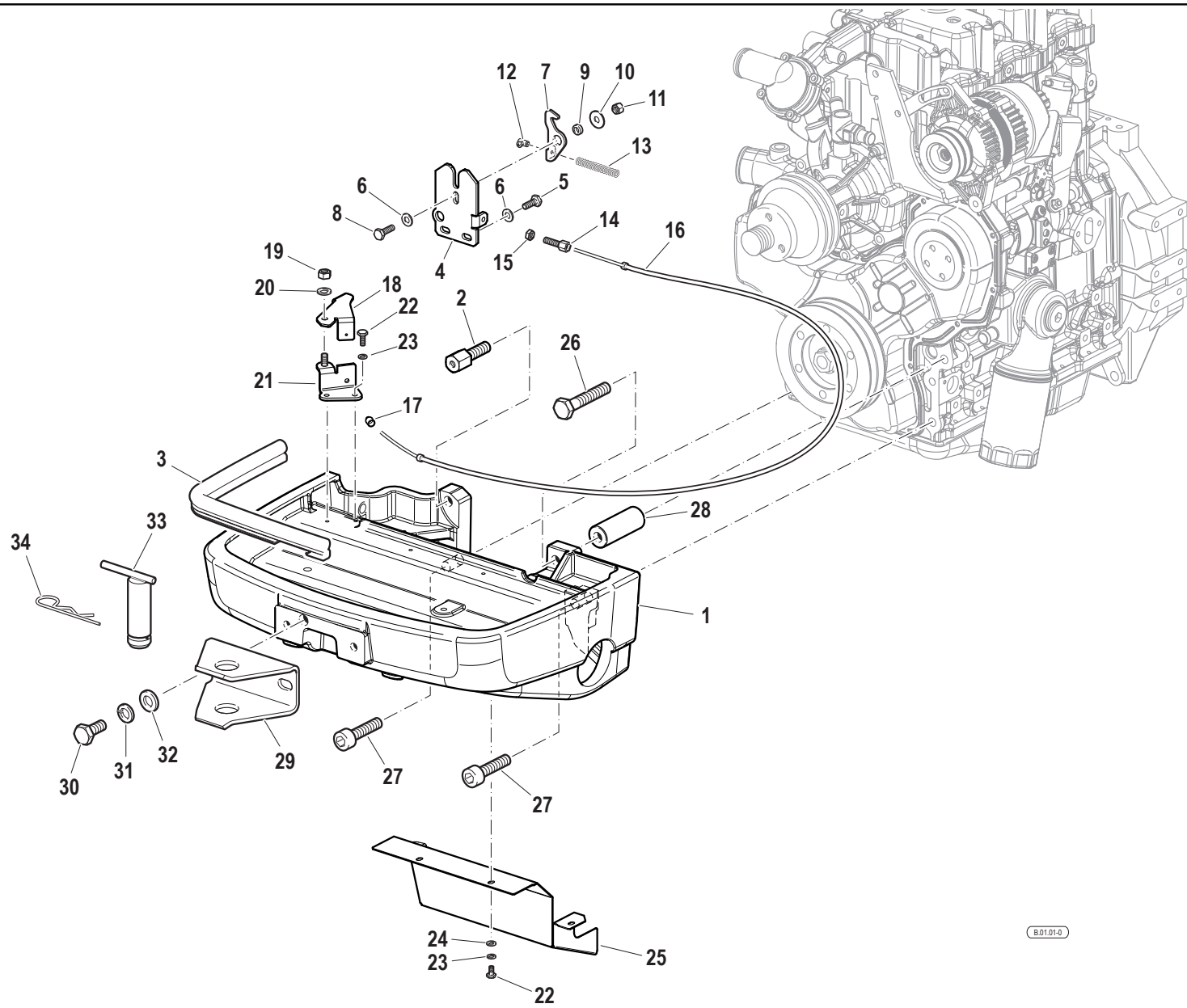
SERIAL

MUFFLER
Engine: 65 CV

CODE REV

A.06.02_0_62398

FRONT SUPPORT



Pos.	Code	Q.ty	Description	Notes
1	51179583	1	SUPPORT	
2	563A0264	1	SMALL COLUMN	
3	28177274	1	GASCKET RIF.182400153.945	
4	56179625	1	FIXING BRACKET	
5	31112150	2	SCREW TE M8X20 UNI 5739 8G	
6	31411084	3	WASHER 8,4x17	
7	56174658	1	HOOD HOOK	
8	31112151	1	SCREW TE M8X25 UNI 5739 8G	
9	56174659	1	SPACER	
10	31411090	1	WASHER 9x24	
11	31241080	1	SELFLOCK NUT M8	
12	58048002	1	CLAMPING SCREW	
13	F0831065000	1	SPRING	
14	56177656	1	REGISTER	
15	31231080	1	NUT M8	
16	58075231	1	CABLE	
17	58177111	1	SLEEVE	
18	561A0385	1	LEVER	
19	31241081	1	SELFLOCK NUT M8	
20	31411084	1	WASHER 8,4x17	
21	590A0386	1	LEVER BEARING	
22	31112082	6	SCREW TE M6X12 UNI 5739 8G	
23	F0843570000	6	WASHER 6	
24	31411064	4	WASHER 6,4x12,5	
25	590A0021	1	SHIELD	
26	F0864335020	1	SCREW M14X120 UNI 5737	
27	F0864290010	2	SCREW M14X50 UNI 5931	
28	561A0297	1	SPACER	
29	56174873	1	TOW HOOK	
30	31112328	2	SCREW TE M14X35 UNI 5739	
31	F0843921030	2	WASHER 14	
32	31411150	2	WASHER 15x28	
33	59075283	1	PIN	
34	F0851497000	1	SPLIT PIN	

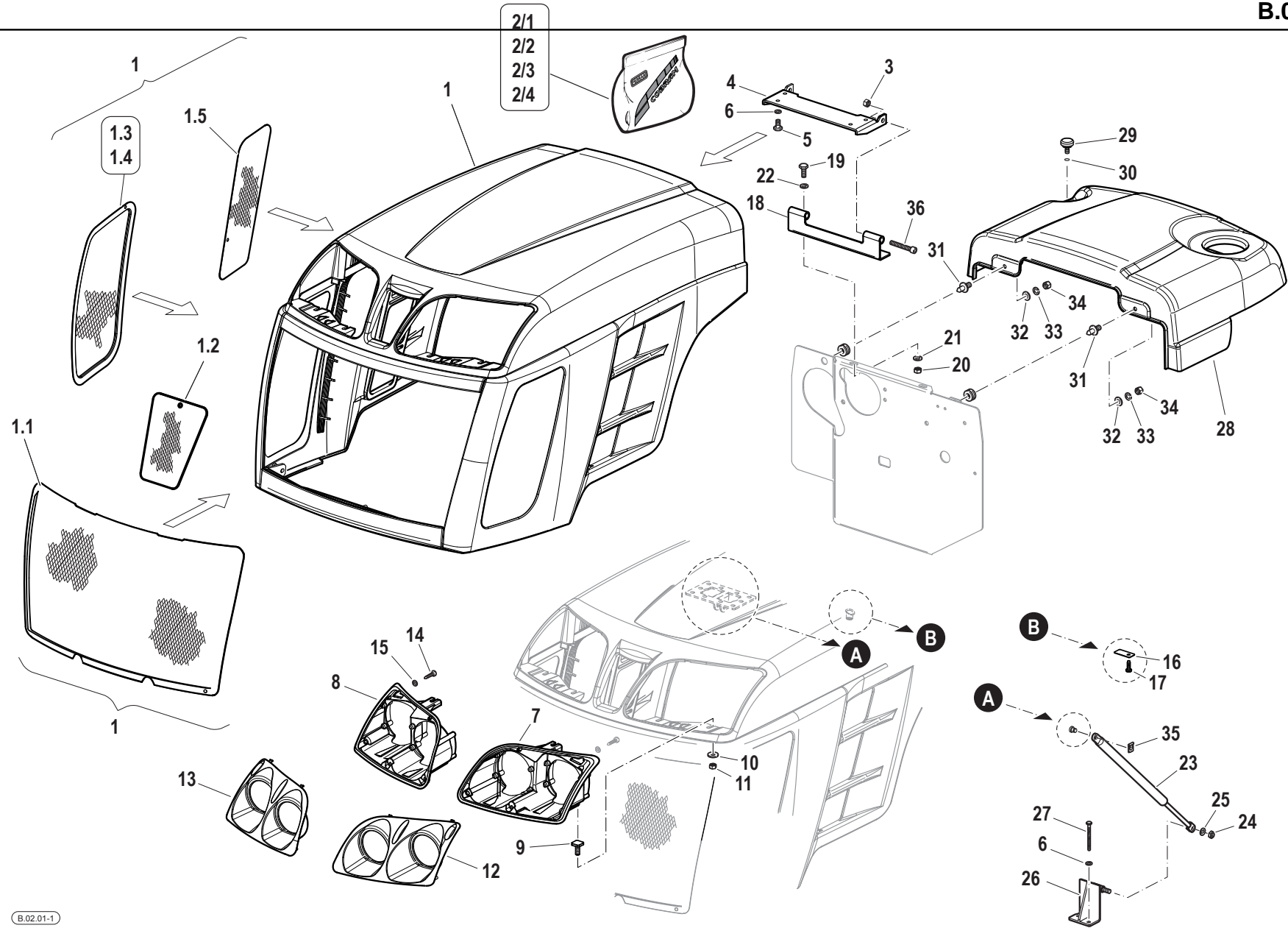
SERIAL

FRONT SUPPORT

CODE REV

B.01.01_0_61903

BONNET



Pos.	Code	Q.ty	Description	Notes
1	59079983V	1	COMPLETE HOOD	
1.1	56079984N	1	GRIGLIA ANT.COF.55-65(NERA)	
1.2	56079987N	1	GRIGLIA SUP.COF.55-65(NERA)	
1.3	56079985N	1	GRIGL.ANT.SX COF.55-65(NERA)	
1.4	56079986N	1	GRIGL.ANT.DX COF.55-65(NERA)	
1.5	56079988N	2	GRIGLIA LAT.COF.55-65(NERA)	
2/1	59901371	1	KIT ADES COFANO COBRAM 55 RS	
2/2	59901373	1	KIT ADES COFANO COBRAM 55 AR	
2/3	59901372	1	KIT ADES COFANO COBRAM 65 RS	
2/4	59901374	1	KIT ADES COFANO COBRAM 65 AR	
3	31241081	2	SELFLOCK NUT M8	
4	56179990	1	HOOD HINGE	
5	31111091	4	SCREW E M6X14 UNI 5739 8G	
6	F0843570000	4	WASHER 6	
7	55279802	1	FRONT GRILLE	
8	55279803	1	FRONT GRILLE	
9	58079929	4	SCREW	
10	31411064	6	WASHER 6,4x12,5	
11	F0814547000	6	SELFLOCK NUT M6	
12	55279866	1	COVER	
13	55279867	1	COVER	
14	31510090	4	RIBBED SCREW	
15	31413042	4	WASHER 3,2	
16	56179997	4	CONTROL PLATE	
17	F0861830100	4	RIBBED SCREW 3,9X13AB DIN7981	
18	561A0084	1	HOOD HINGE	
19	31112150	2	SCREW TE M8X20 UNI 5739 8G	
20	31211080	2	NUT M8	
21	F0843643060	2	WASHER 8	
22	31411084	2	WASHER 8,4x17	
23	581A0376	1	GAS SPRING	
24	31241081	1	SELFLOCK NUT M8	
25	31411084	1	WASHER 8,4x17	
26	59075602	1	BRACKET	

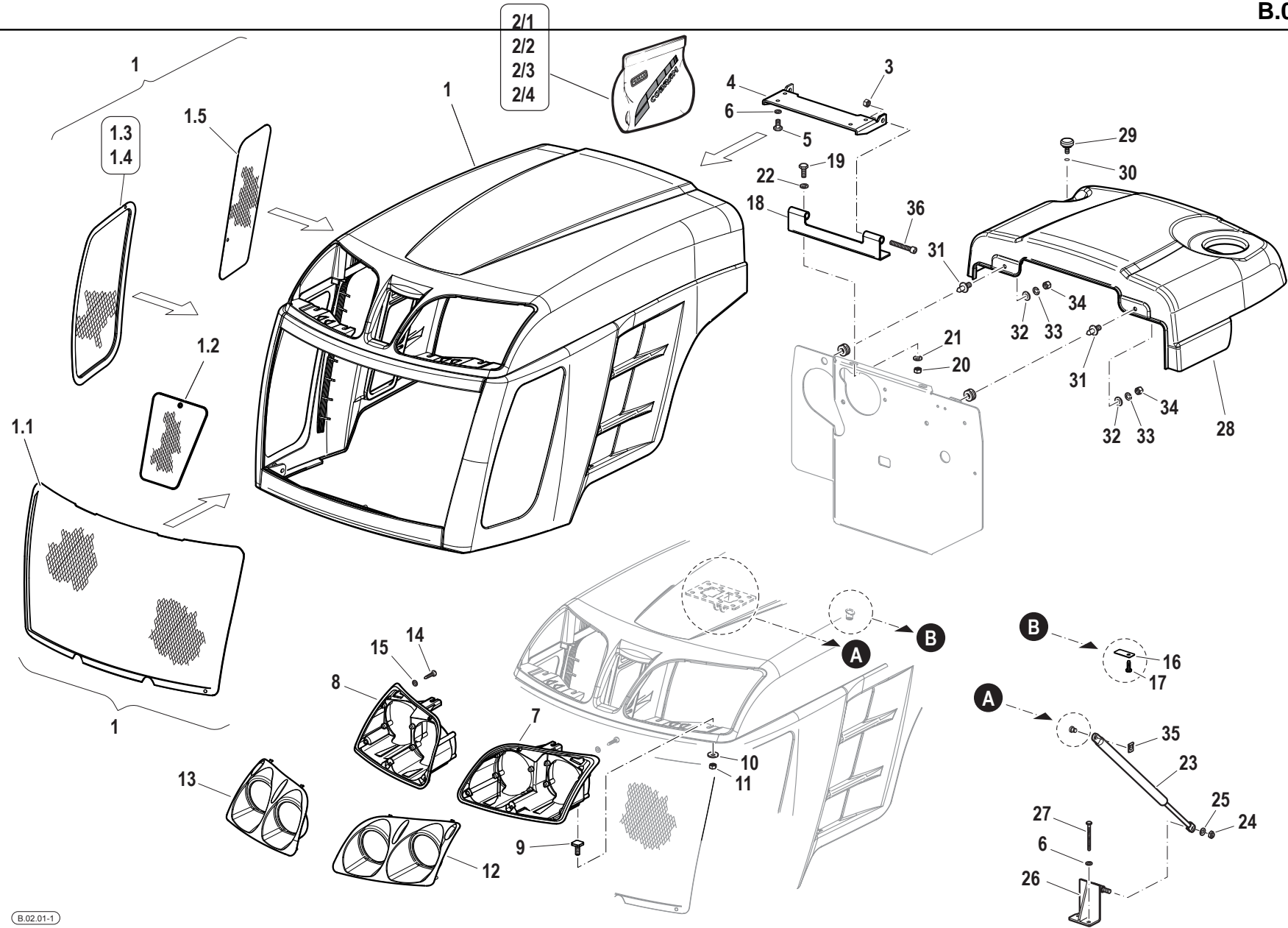
SERIAL

BONNET

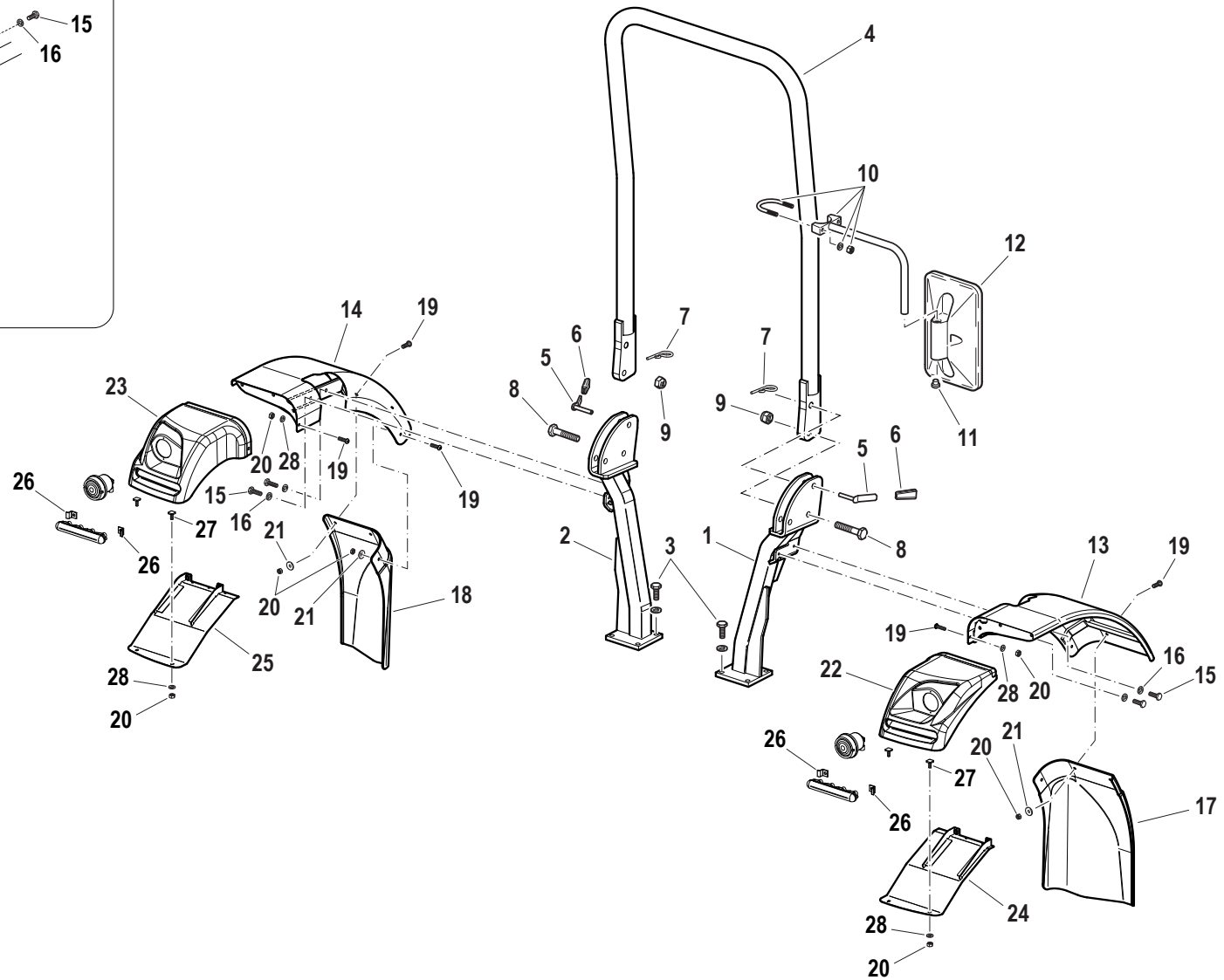
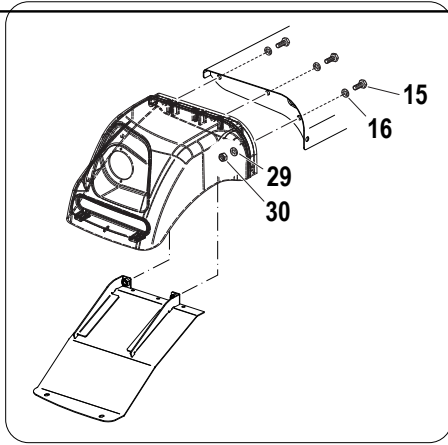
CODE REV

B.02.01_1_75789

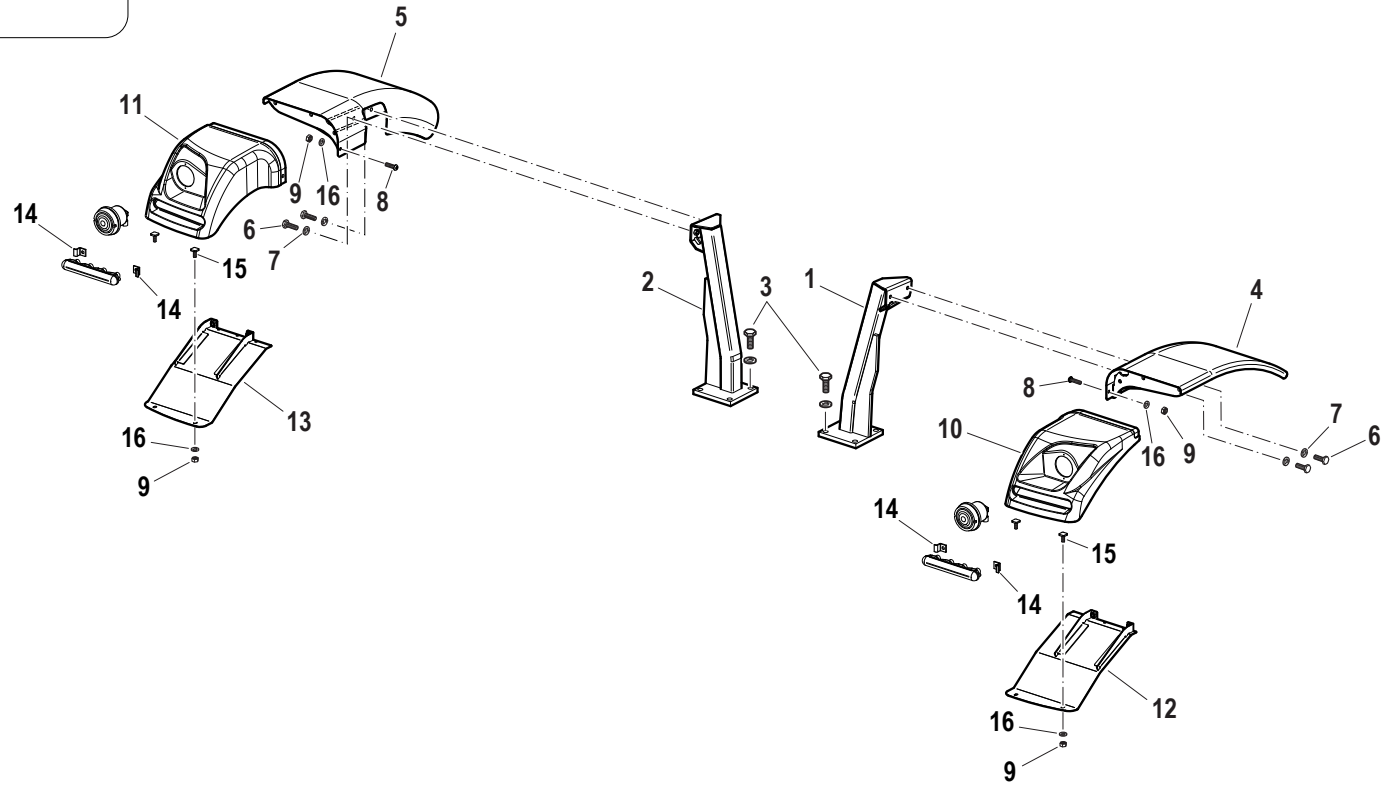
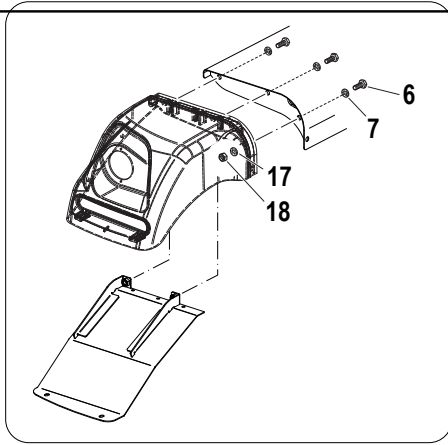
BONNET



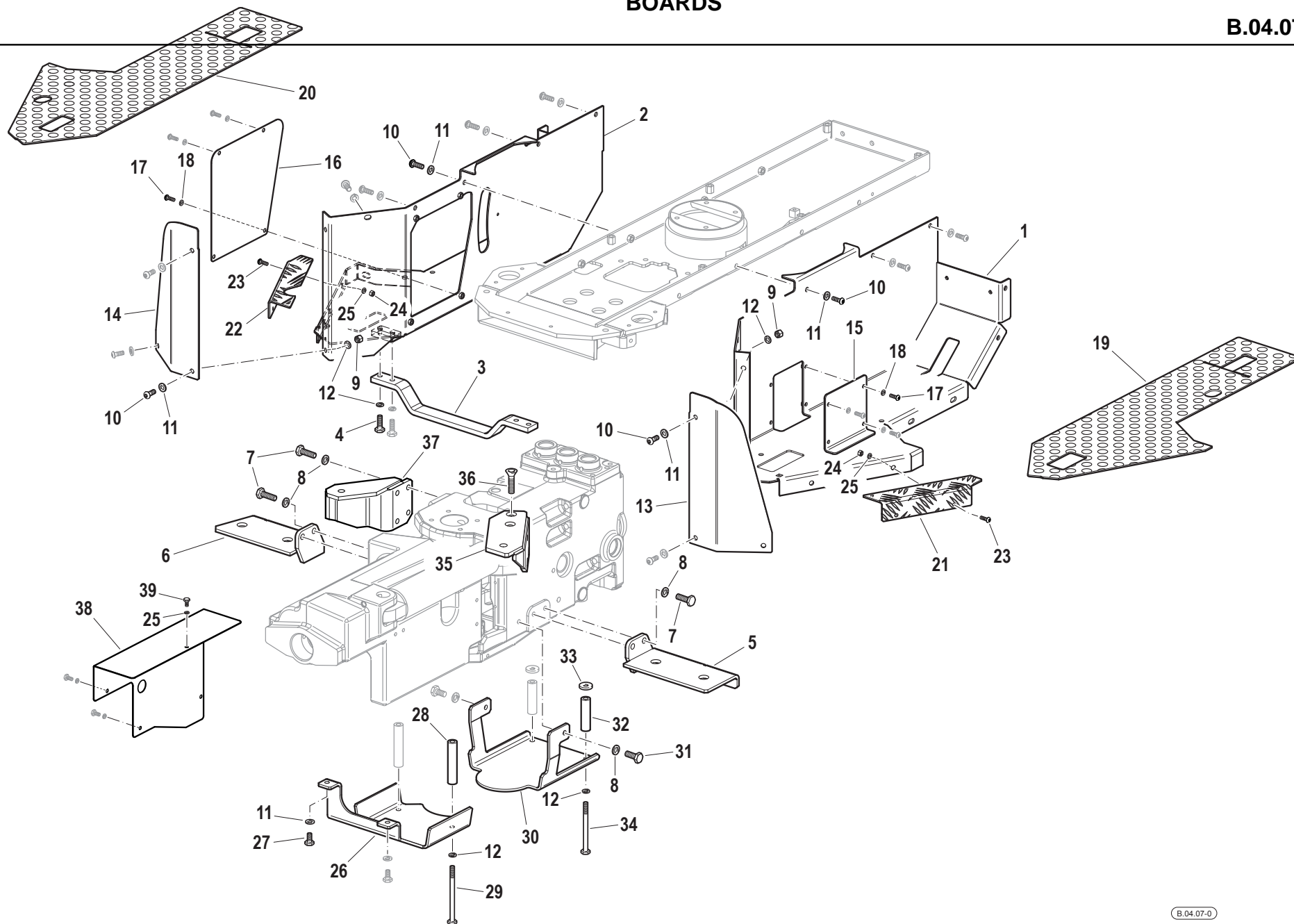
Pos.	Code	Q.ty	Description	Notes
27	31112096	2	SCREW TE M6X85 UNI 5737 8G	
28	573A1476V	1	COP.SERBAT(A1476)VERDE 6029 **	
29	56174835	1	KNOB	
30	35211060	1	SEEGER RING E 6 UNI 7434	
31	59074662	2	PIN	
32	31411084	2	WASHER 8,4x17	
33	F0843643060	2	WASHER 8	
34	31211080	2	NUT M8	
35	58170436	1	CLIP	
36	31152088	2	SCREW TCEI M8X55 UNI 5931	



Pos.	Code	Q.ty	Description	Notes
1	59079844	1	LEFT SUPPORTING COLUMN	
2	59079845	1	RIGHT SUPPORTING COLUMN	
3	31112272	8	SCREW TE M12X30 UNI 5739	
4	59079846	1	SAFETY ROLL BAR	
5	59076690	2	HINGE PIN	
6	P91728000000	2	GRIP	
7	P43914900000	2	SPLIT PIN	
8	F0864377000	2	SCREW M16X70 UNI 5737	
9	F0814794000	2	SELFLOCK NUT M16 CL.6	
10	59070591	1	SUPPORT	
11	58170968	1	PLUG	
12	30000514	1	REAR VIEW MIRROR	
13	59079720V	1	LEFT FRONT FENDER	
14	59079721V	1	RIGHT FRONT FENDER	
15	31112150	10	SCREW TE M8X20 UNI 5739 8G	
16	F0843643060	10	WASHER 8	
17	57379953	1	WING EXTENSION	
18	57379954	1	WING EXTENSION	
19	F0862479035	8	SCREW M6X16 7380	
20	F0814547000	12	SELFLOCK NUT M6	
21	31411066	6	WASHER 6,6x18	
22	55279804	1	LAMP HOLDER	
23	55279805	1	LAMP HOLDER	
24	561A0055	1	COVER	
25	561A0056	1	COVER	
26	56177045	4	RETAINER	
27	58079929	4	SCREW	
28	31411064	6	WASHER 6,4x12,5	
29	31411084	6	WASHER 8,4x17	
30	31211080	6	NUT M8	



Pos.	Code	Q.ty	Description	Notes
1	590A0063	1	WING HOLDER	
2	590A0064	1	WING HOLDER	
3	31112272	8	SCREW TE M12X30 UNI 5739	
4	590A0087V	1	LEFT FRONT FENDER	
5	590A0088V	1	RIGHT FRONT FENDER	
6	31112150	10	SCREW TE M8X20 UNI 5739 8G	
7	F0843643060	10	WASHER 8	
8	F0862479035	2	SCREW M6X16 7380	
9	F0814547000	6	SELFLOCK NUT M6	
10	55279804	1	LAMP HOLDER	
11	55279805	1	LAMP HOLDER	
12	561A0055	1	COVER	
13	561A0056	1	COVER	
14	56177045	4	RETAINER	
15	58079929	4	SCREW	
16	31411064	6	WASHER 6,4x12,5	
17	31411084	6	WASHER 8,4x17	
18	31211080	6	NUT M8	



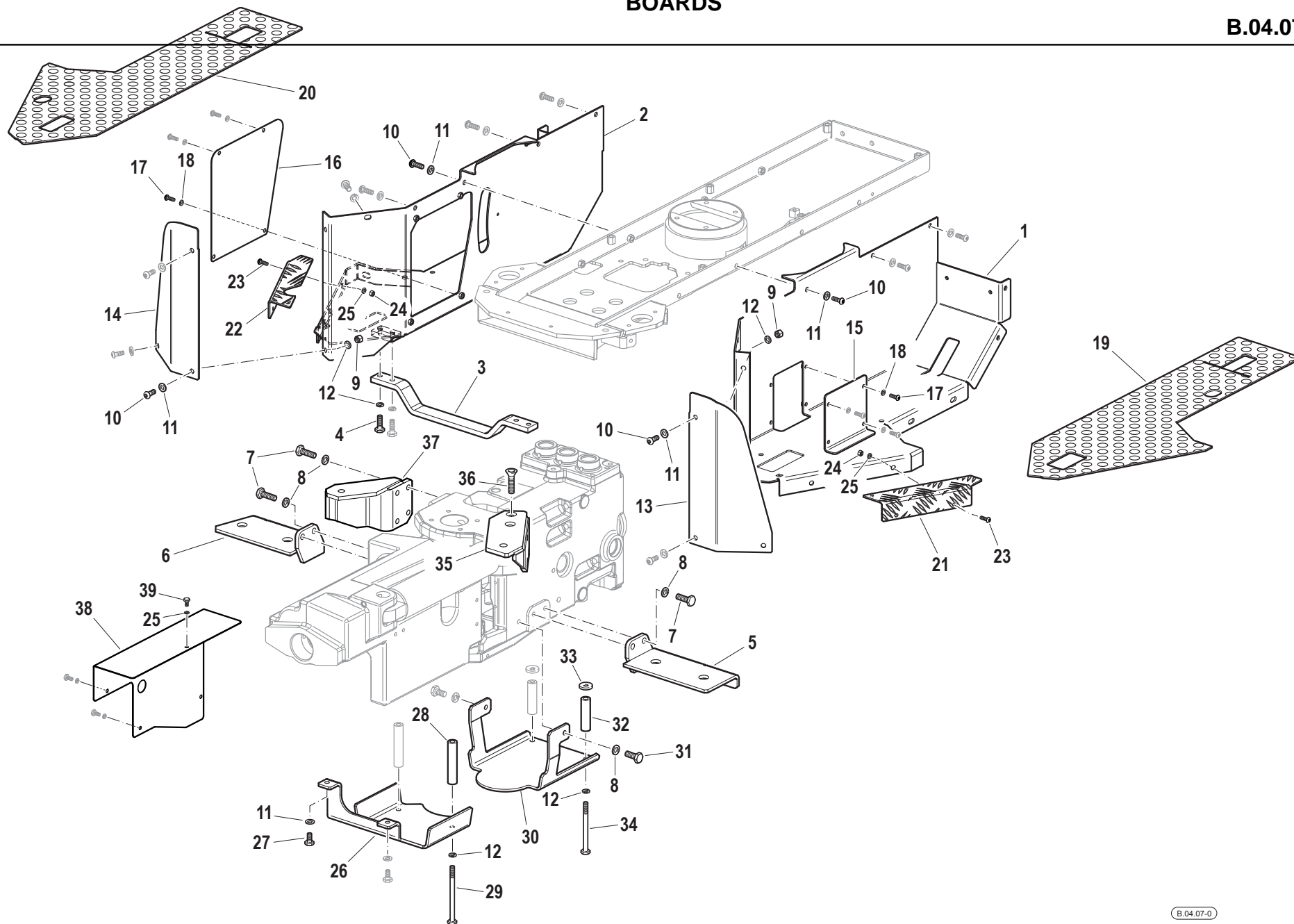
Pos.	Code	Q.ty	Description	Notes
1	590A0321V	1	LEFT FOOTBOARD	
2	590A0322V	1	RIGHT FOOTBOARD	
3	56079664	1	TRAV.ANT.COL.PED.55-65-REVVERN	
4	31112146	4	SCREW TE M8X22 UNI 5739 8G	
5	59079658	1	SUPPORT	
6	59079654	1	SUPPORT	
7	31112219	8	SCREW TE M10X25 UNI 5739	
8	F0843755000	8	WASHER 10	
9	31211080	6	NUT M8	
10	F0862479020	16	SCREW M8X16 7380	
11	31411084	16	WASHER 8,4x17	
12	F0843643060	10	WASHER 8	
13	561A0099V	1	FRONT DEFLECTOR	
14	561A0100V	1	FRONT DEFLECTOR	
15	561A0202V	1	COVER	
16	561A0284V	1	COVER	
17	F0862479034	8	SCREW M6X12 7380	
18	31411064	8	WASHER 6,4x12,5	
19	573A0625	1	FOOTREST COVER	
20	573A0626	1	FOOTREST COVER	
21	572A0591	1	ANGULAR	
22	572A0590	1	ANGULAR	
23	F0862479035	8	SCREW M6X16 7380	
24	31211060	4	NUT M6	
25	F0843570000	11	WASHER 6	
26	560A0337	1	SHIELD	
27	31111151	2	SCREW TE M8X16 UNI 5739 8G	
28	560A0362	2	SPACER	
29	F0863079000	2	SCREW M8X105 UNI 5737	
30	560A0338	1	SHIELD	
31	31112208	2	SCREW TE M10X16 UNI 5739	
32	560A0363	2	SPACER	
33	F0843813000	1	WASHER D.20x10,5/4	
34	31111164	2	SCREW TE M8X90 UNI 5737 8G	

SERIAL

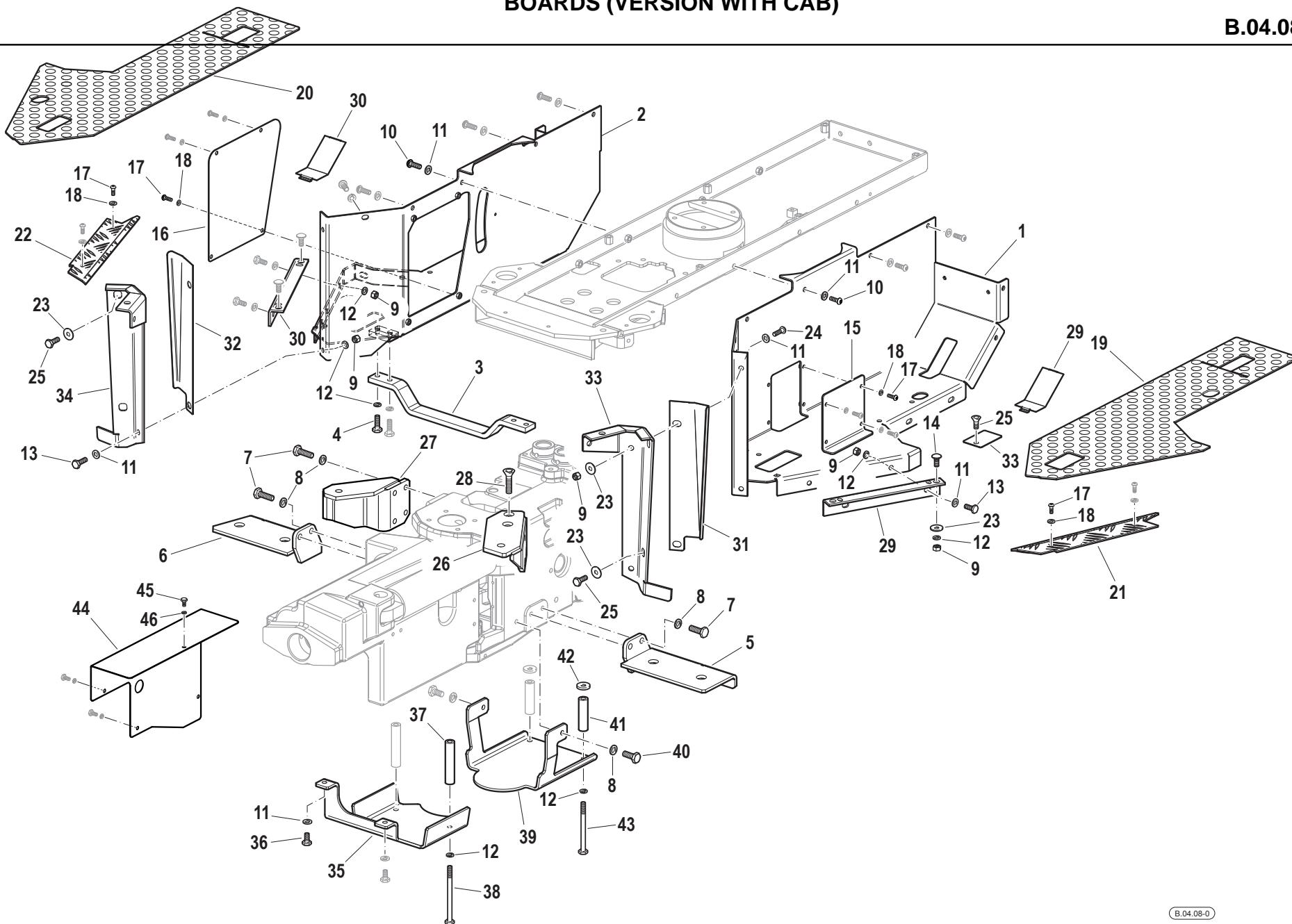
BOARDS

CODE REV

B.04.07_0_62642



Pos.	Code	Q.ty	Description	Notes
35	59079557	1	SUPPORT	
36	31133600	4	SCREW TSVEI M10X25 U5933	
37	59079556	1	SUPPORT	
38	560A0597	1	SHIELD	
39	31112082	4	SCREW TE M6X12 UNI 5739 8G	



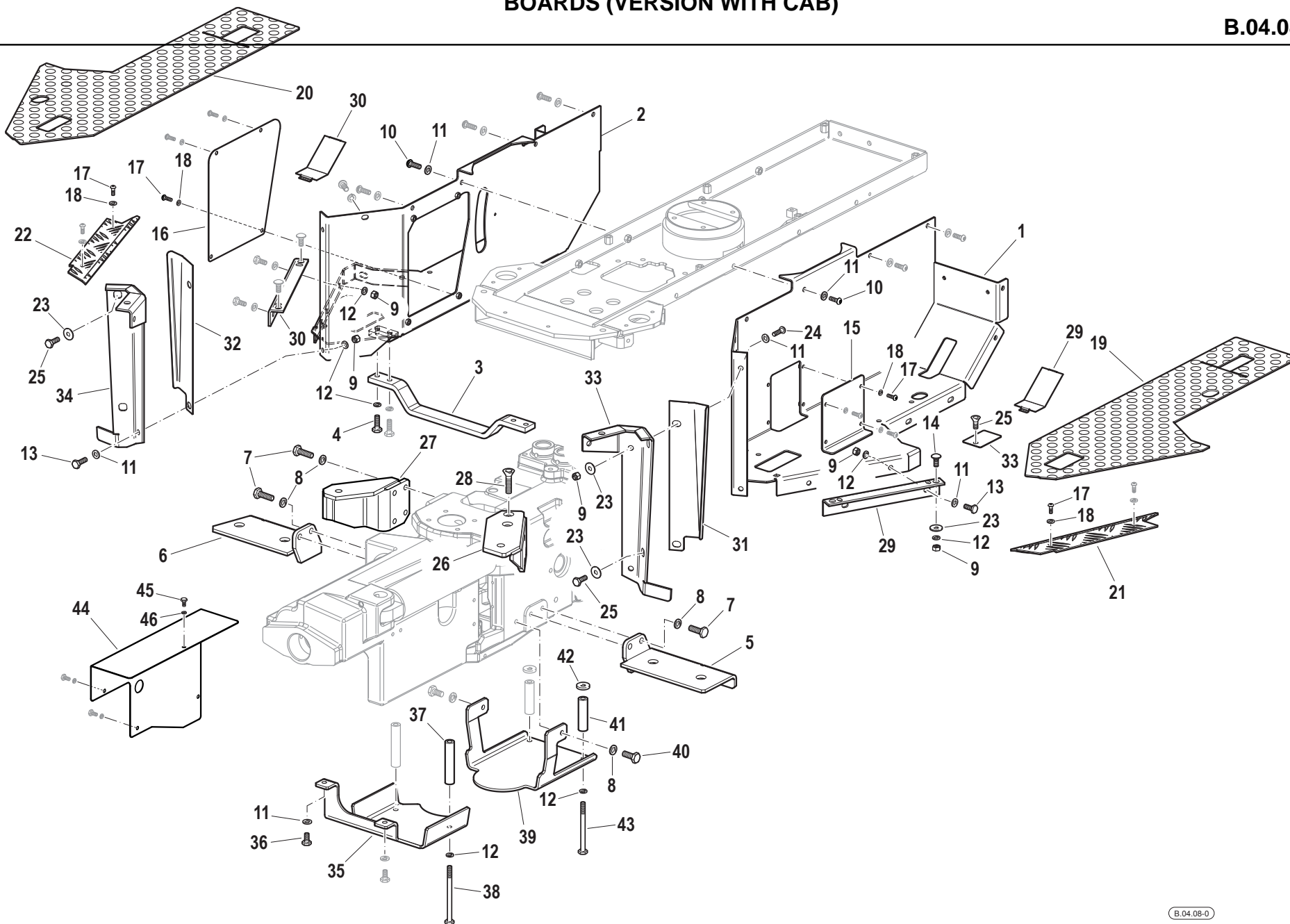
Pos.	Code	Q.ty	Description	Notes
1	590A0321V	1	LEFT FOOTBOARD	
2	590A0322V	1	RIGHT FOOTBOARD	
3	56079664	1	TRAV.ANT.COL.PED.55-65-REVVERN	
4	31112146	4	SCREW TE M8X22 UNI 5739 8G	
5	59079658	1	SUPPORT	
6	59079654	1	SUPPORT	
7	31112219	8	SCREW TE M10X25 UNI 5739	
8	F0843755000	8	WASHER 10	
9	31211080	6	NUT M8	
10	F0862479020	16	SCREW M8X16 7380	
11	31411084	16	WASHER 8,4x17	
12	F0843643060	10	WASHER 8	
13	31112150	4	SCREW TE M8X20 UNI 5739 8G	
14	P45344600000	8	SPECIAL SCREW M8X20	
15	561A0202V	1	COVER	
16	561A0284V	1	COVER	
17	F0862479034	8	SCREW M6X12 7380	
18	31411064	8	WASHER 6,4x12,5	
19	573A0625	1	FOOTREST COVER	
20	573A0626	1	FOOTREST COVER	
21	572A0595	1	ANGULAR	
22	572A0596	1	ANGULAR	
23	31411090	4	WASHER 9x24	
24	31112150	2	SCREW TE M8X20 UNI 5739 8G	
25	31111151	2	SCREW TE M8X16 UNI 5739 8G	
26	59079557	1	SUPPORT	
27	59079556	1	SUPPORT	
28	31133600	4	SCREW TSVEI M10X25 U5933	
29	560A0552	1	ANGULAR	
30	560A0553	1	ANGULAR	
31	560A0524V	1	FASTENER	
32	560A0525V	1	FASTENER	
33	560A0522	1	FASTENER	
34	560A0523	1	FASTENER	

SERIAL

BOARDS (VERSION WITH CAB)

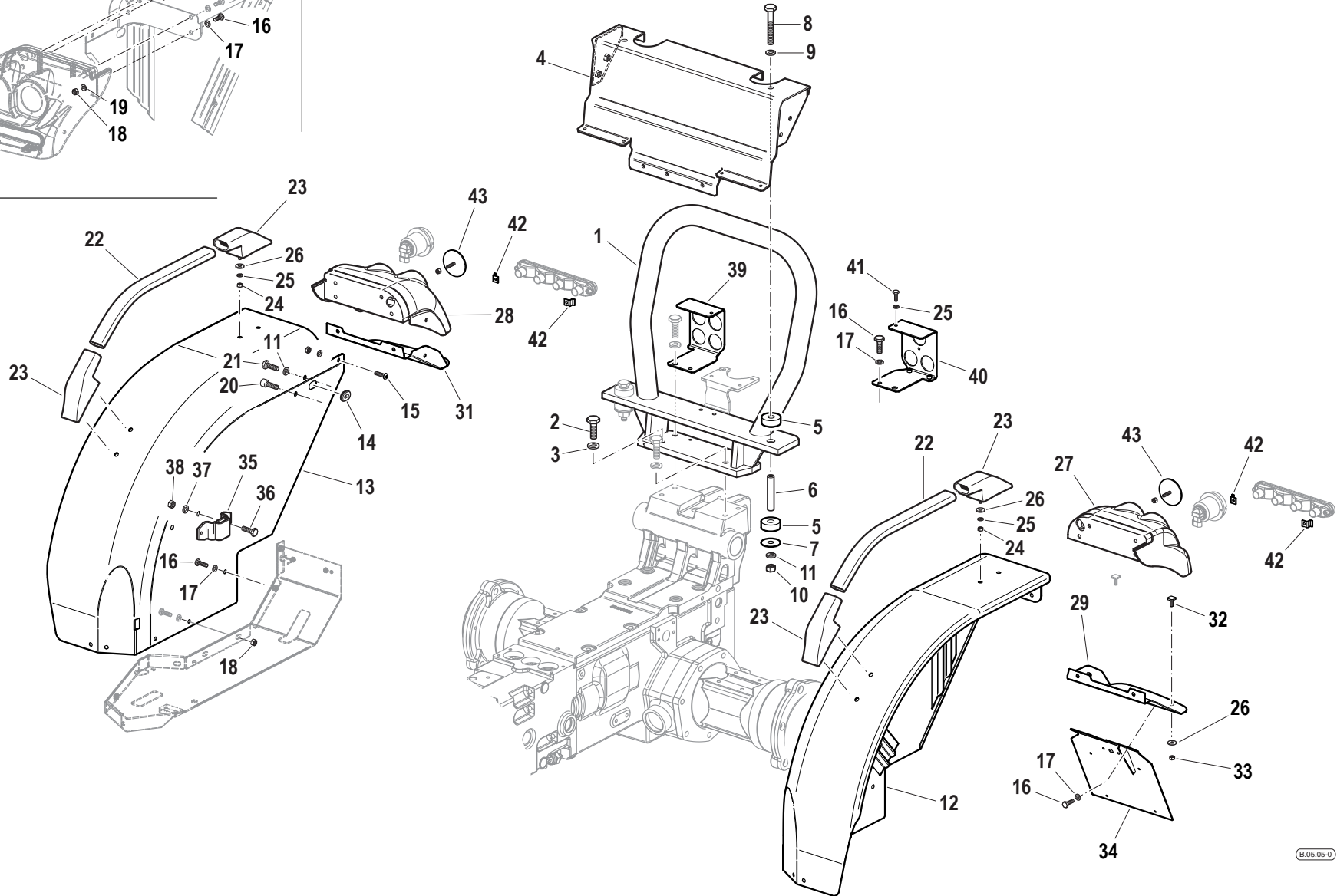
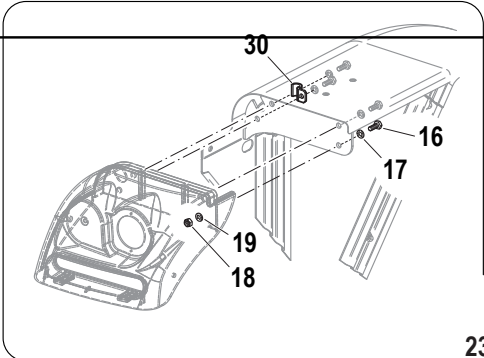
CODE REV

B.04.08_0_62680



Pos.	Code	Q.ty	Description	Notes
35	560A0337	1	SHIELD	
36	31111151	2	SCREW TE M8X16 UNI 5739 8G	
37	560A0362	2	SPACER	
38	F0863079000	2	SCREW M8X105 UNI 5737	
39	560A0338	1	SHIELD	
40	31112208	2	SCREW TE M10X16 UNI 5739	
41	560A0363	2	SPACER	
42	F0843813000	1	WASHER D.20x10,5/4	
43	31111164	2	SCREW TE M8X90 UNI 5737 8G	
44	560A0597	1	SHIELD	
45	31112082	4	SCREW TE M6X12 UNI 5739 8G	
46	F0843570000	5	WASHER 6	

REAR MUDGUARDS



Pos.	Code	Q.ty	Description	Notes
1	59079831	1	SAFETY ROLL BAR	
2	31112264	4	SCREW TE M12X35 UNI 5739	
3	F0843843060	4	WASHER 12	
4	59079892V	1	TRAV.POST.PARAF.(79892) VERDE	
5	581A0660	4	SILENT-BLOCK	
6	561A0659	2	SPACER	
7	561A0432	2	WASHER 45x11/3	
8	F0863566000	2	SCREW M10x70 UNI 5737	
9	31411104	2	WASHER 10,5x18	
10	31211100	2	NUT M10	
11	F0843755000	2	WASHER 10	
12	59079724V	1	LEFT REAR FENDER	
13	59079725V	1	RIGHT REAR FENDER	
14	58171901	2	CABLE GLAND 15,5-24-32-2	
15	F0862479020	4	SCREW M8X16 7380	
16	31111151	8	SCREW TE M8X16 UNI 5739 8G	
17	F0843643060	8	WASHER 8	
18	31211080	6	NUT M8	
19	31411084	6	WASHER 8,4x17	
20	31152098	2	SCREW TCEI M10X20 UNI 5931	
21	31112210	2	SCREW TE M10X20 UNI 5739	
22	561A0025	2	MUDGUARD HANDLE	
23	55072935	4	SUPPORT	
24	31211060	8	NUT M6	
25	F0843570000	8	WASHER 6	
26	31411064	8	WASHER 6,4x12,5	
27	55279806	1	LAMP HOLDER	
28	55279807	1	LAMP HOLDER	
29	590A0057	1	COVER	
30	F0825414000	1	CABLE GLAND 7-15-18,5-2,5	
31	590A0058	1	COVER	
32	58079929	8	SCREW	
33	F0814547000	8	SELFLOCK NUT M6	
34	590A0059	1	LICENCE PLATE HOLD	

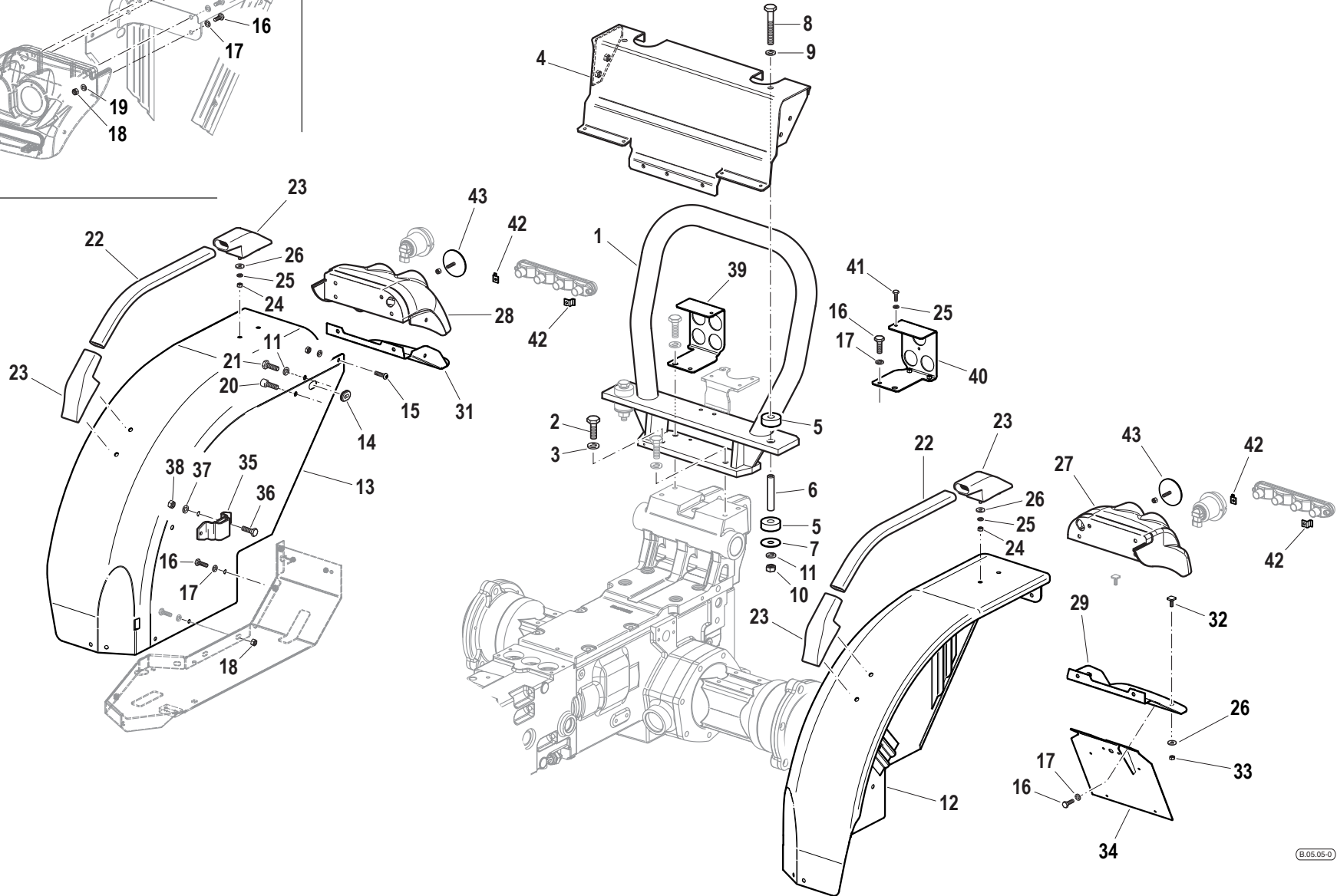
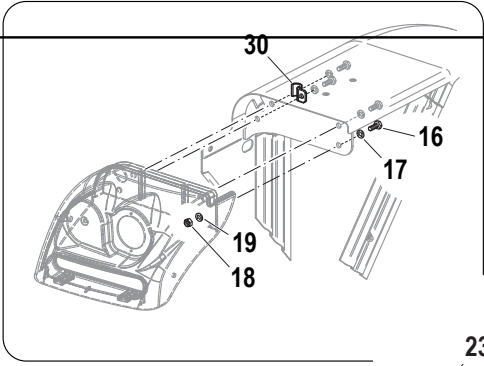
SERIAL

REAR MUDGUARDS

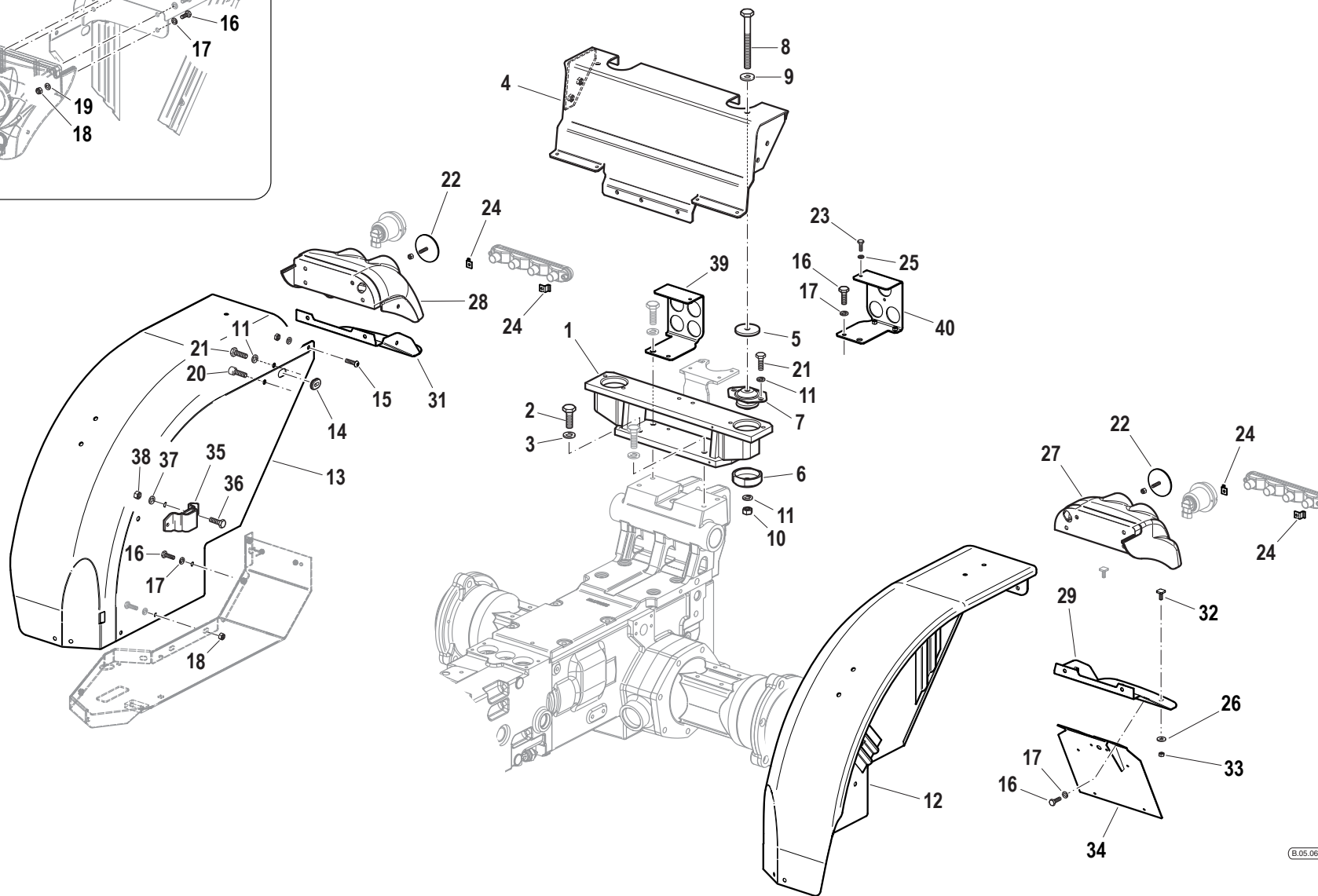
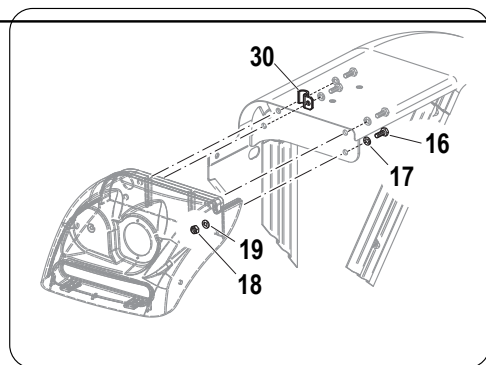
CODE REV

B.05.05_0_63001

REAR MUDGUARDS



Pos.	Code	Q.ty	Description	Notes
35	59070592	1	LEVER BEARING	
36	31112208	1	SCREW TE M10X16 UNI 5739	
37	31411105	1	WASHER 10,5x21	
38	31212100	1	NUT M10	
39	590A0089	1	BRACKET	
40	590A0091	1	STAFFA SX SUPP.G.RAP.55-65	
41	F0862129000	2	SCREW M6X18 UNI 5739 8.8	
42	56177045	4	RETAINER	
43	58177330	2	REFLECTOR	



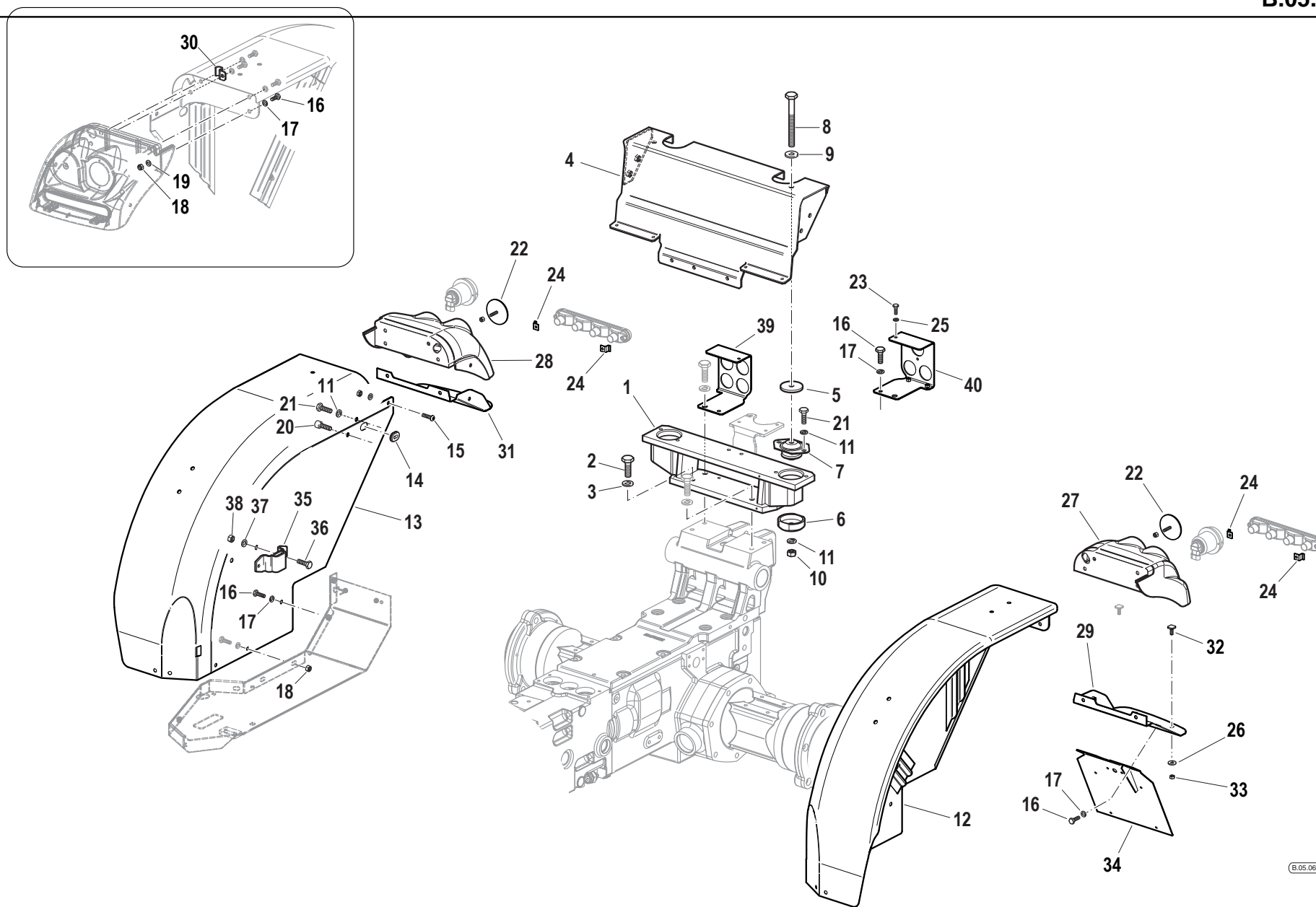
Pos.	Code	Q.ty	Description	Notes
1	59079841	1	BRACKET	
2	31112264	4	SCREW TE M12X35 UNI 5739	
3	F0843843060	4	WASHER 12	
4	59079916V	1	TRAV.POST.PARAF.(79916) VERDE	
5	561A0432	2	WASHER 45x11/3	
6	56177222	2	STOP	
7	58176233	2	SILENT-BLOCK	
8	31112703	2	SCREW TE M12X120 UNI 5737	
9	31411130	2	WASHER 13x24	
10	31221120	2	NUT M12	
11	F0843843060	2	WASHER 12	
12	59079724V	1	LEFT REAR FENDER	
13	59079725V	1	RIGHT REAR FENDER	
14	58171901	2	CABLE GLAND 15,5-24-32-2	
15	F0862479020	4	SCREW M8X16 7380	
16	31111151	8	SCREW TE M8X16 UNI 5739 8G	
17	F0843643060	8	WASHER 8	
18	31211080	6	NUT M8	
19	31411084	6	WASHER 8,4x17	
20	31152098	2	SCREW TCEI M10X20 UNI 5931	
21	31112210	2	SCREW TE M10X20 UNI 5739	
22	58177330	2	REFLECTOR	
23	F0862129000	2	SCREW M6X18 UNI 5739 8.8	
24	56177045	4	RETAINER	
25	F0843570000	8	WASHER 6	
26	31411064	8	WASHER 6,4x12,5	
27	55279806	1	LAMP HOLDER	
28	55279807	1	LAMP HOLDER	
29	590A0057	1	COVER	
30	F0825414000	1	CABLE GLAND 7-15-18,5-2,5	
31	590A0058	1	COVER	
32	58079929	8	SCREW	
33	F0814547000	8	SELFLOCK NUT M6	
34	590A0059	1	LICENCE PLATE HOLD	

SERIAL

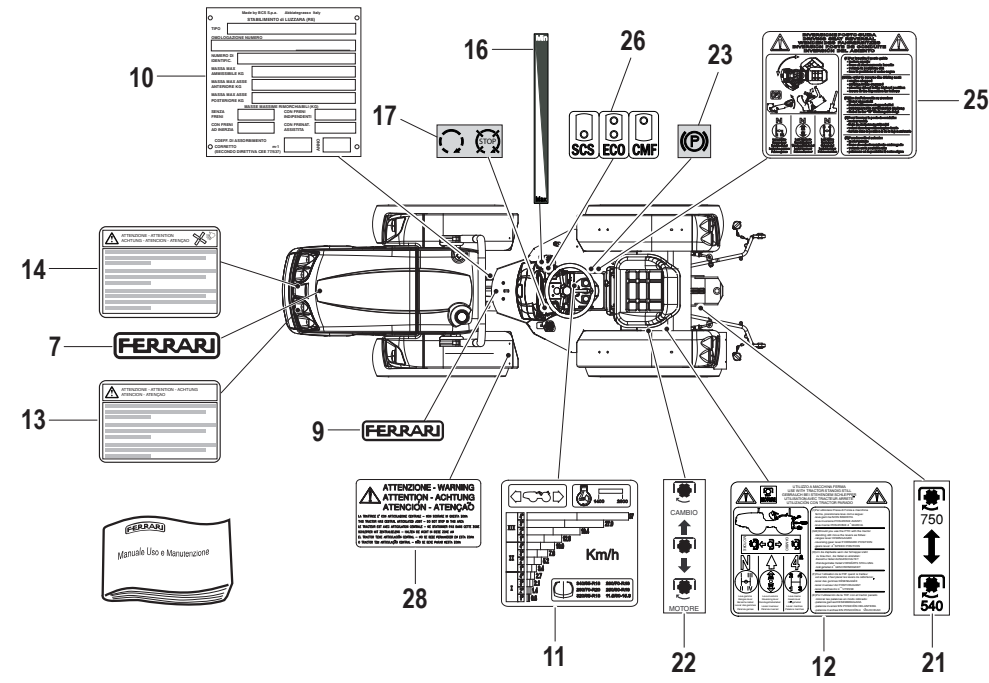
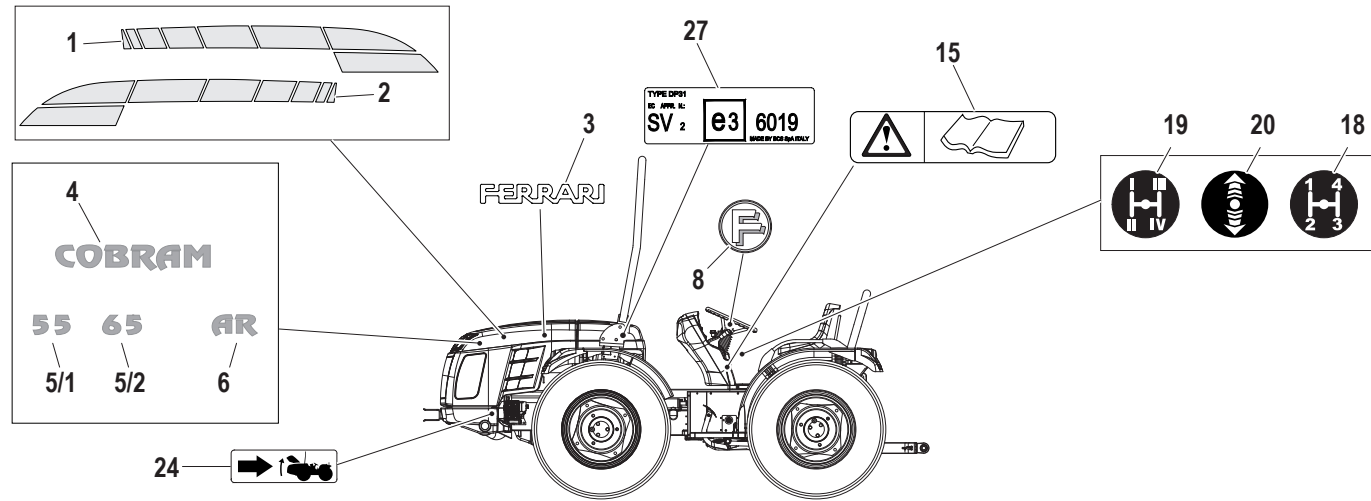
REAR MUDGUARDS (VERSION WITH CAB)

CODE REV

B.05.06_0_63045



Pos.	Code	Q.ty	Description	Notes
35	59070592	1	LEVER BEARING	
36	31112208	1	SCREW TE M10X16 UNI 5739	
37	31411105	1	WASHER 10,5x21	
38	31212100	1	NUT M10	
39	590A0089	1	BRACKET	
40	590A0091	1	STAFFA SX SUPP.G.RAP.55-65	



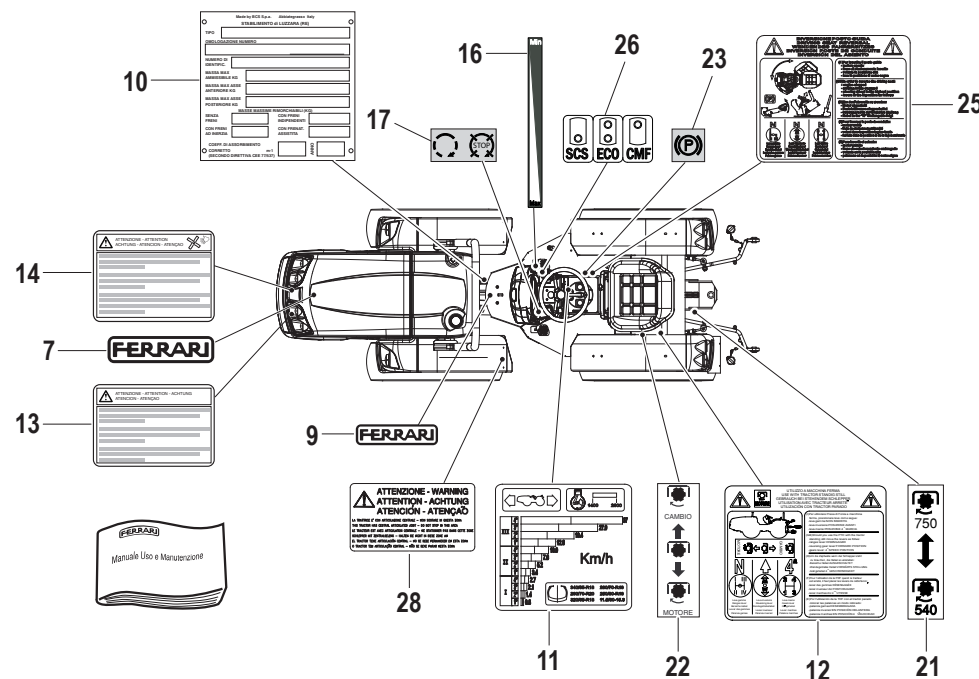
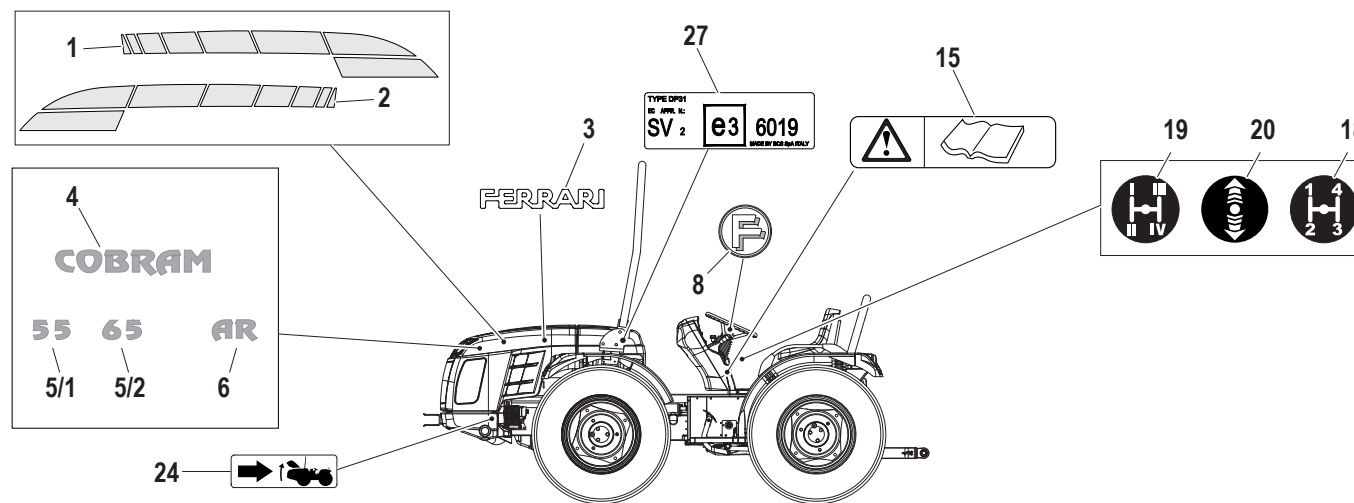
Pos.	Code	Q.ty	Description	Notes
1	580A1122	1	FREGIO DX (FERRARI) 55-65	
2	580A1123	1	FREGIO SX (FERRARI) 55-65	
3	58179013	2	DECAL	
4	580A0237	2	DECAL	
5/1	580A0235	2	DECAL	
5/2	580A0236	2	DECAL	
6	580A0233	2	DECAL	
7	580A0438	1	DECAL	
8	580A1121	1	DECAL	
9	580A1159	1	DECAL	
10	580A1023	1	PLATE	
11	580A0341	1	DECAL	
12	58076077	1	DECAL	
13	580A1016	1	DECAL	
14	580A1039	1	FAN WARNING PLATE	
15	58074880	1	PLATE	
16	58077047	1	DECAL	
17	58072511	1	INSTRUCTION PLATE	
18	580A0857	1	DECAL	
19	580A0858	1	DECAL	
20	580A0855	1	DECAL	
21	58072573	1	PLATE	
22	58072575	1	PLATE	
23	58072510	1	INSTRUCTION PLATE	
24	58074841	1	DECAL	
25	580A0572	1	DECAL	
26	580A0285	1	DECAL	
27	580A0807	1	PLATE	
28	580A1038	1	PLATE	
29	58173775	1	PLATE	
30	580A1605	1	DECAL	
31	580A1037	1	PLATE	
32	580A1606	1	DECAL	
33	580A1607	1	DECAL	

SERIAL

PLATES AND STICKERS

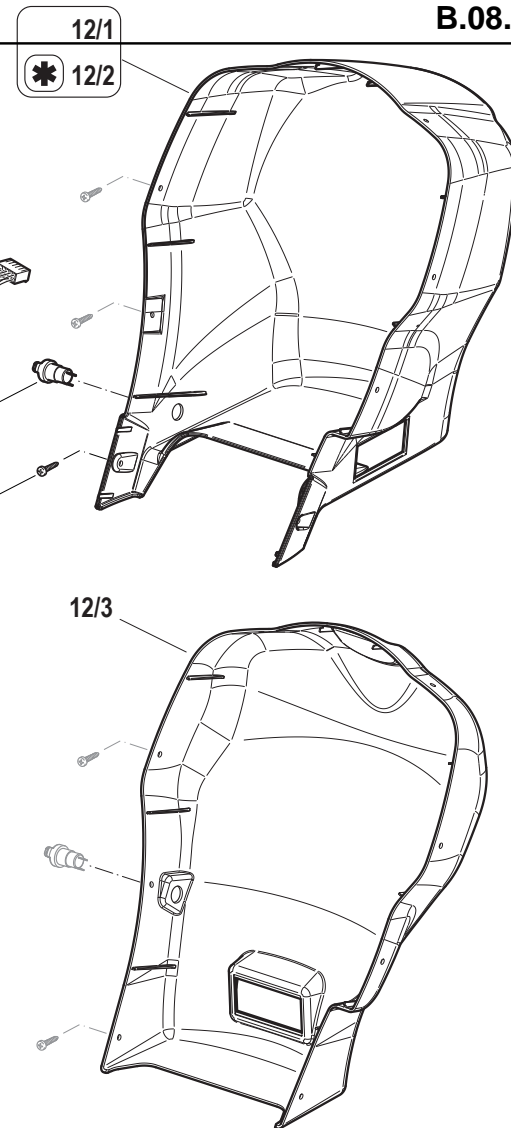
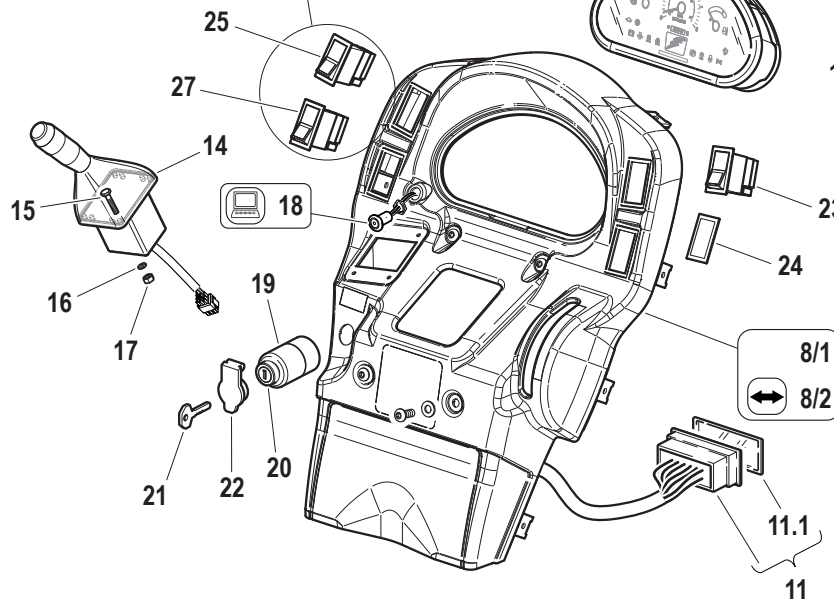
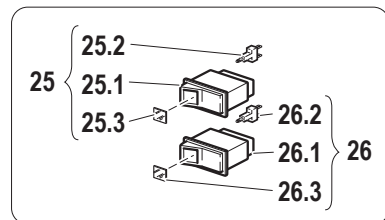
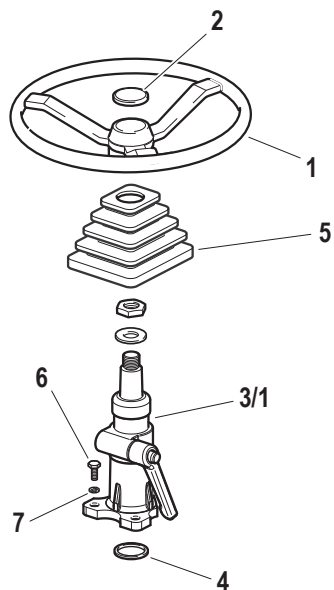
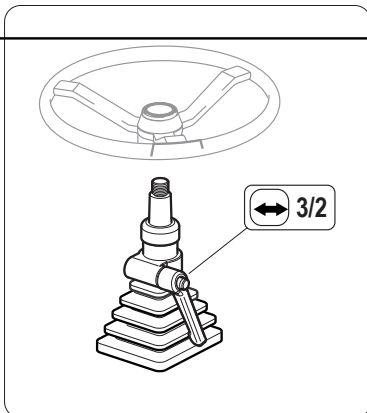
CODE REV


B.07.02_0_75870




Pos.	Code	Q.ty	Description	Notes
34	580A1609	4	DECAL	
35	580A1608	2	DECAL	

DASHBOARD



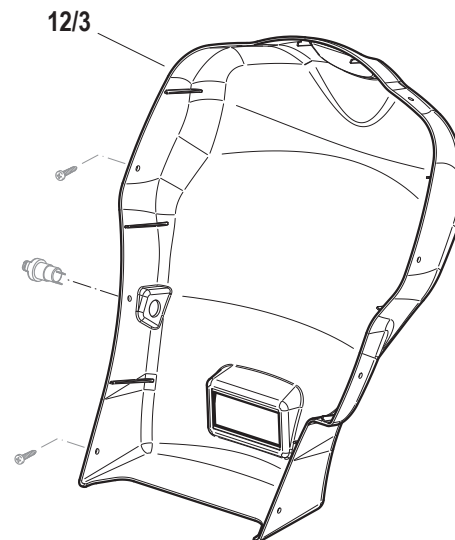
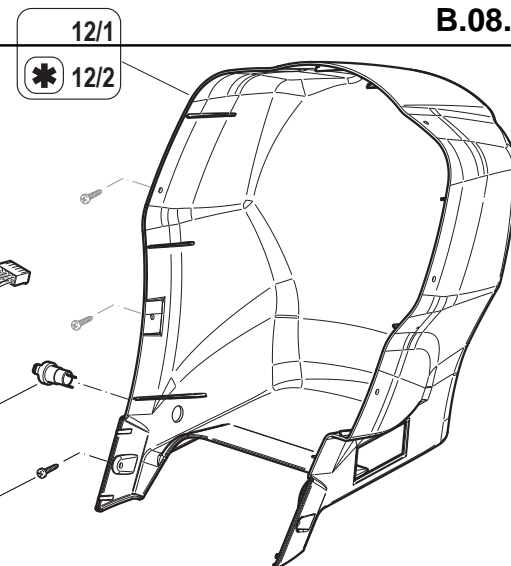
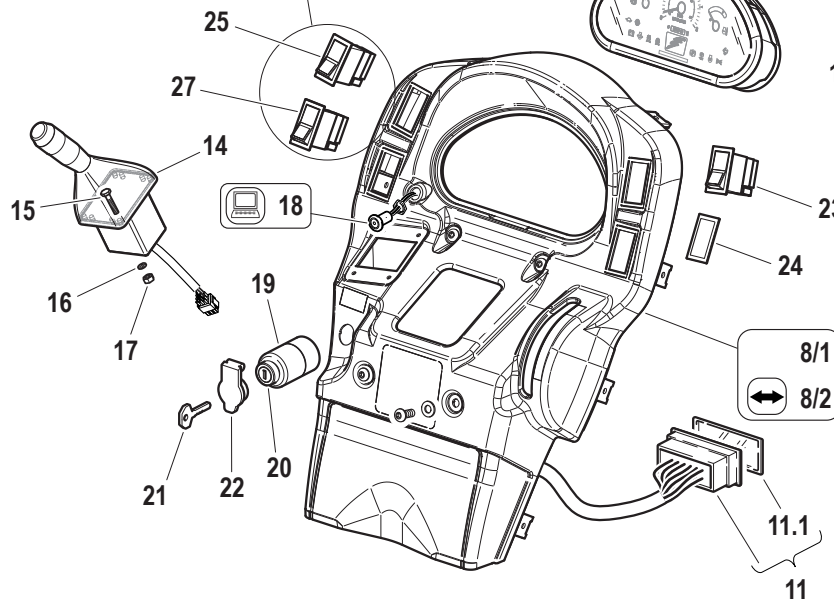
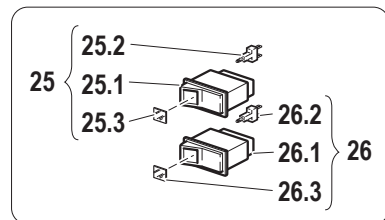
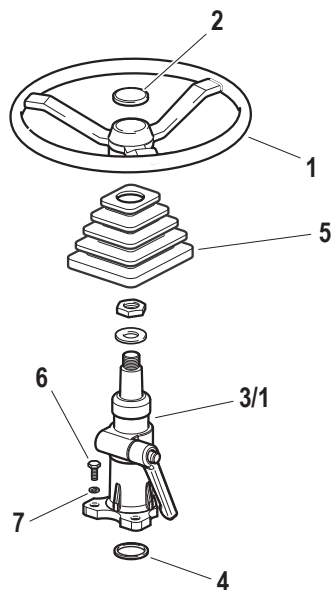
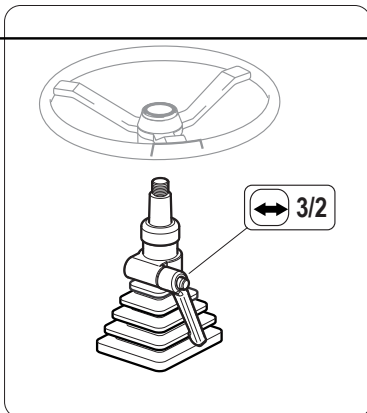

PIANTONE RECLINABILE
 STEERING COLUMN WITH ADJUSTABLE ANGLE
 TUBE DE DIRECTION AVEC INCLINAISON RÉGLABLE
 LENKSÄULE MIT EINSTELLBARER NEIGUNG
 SOPORTE DE DIRECCIÓN CON INCLINACIÓN AJUSTABLE



QUADRO STRUMENTAZIONE DIGITALE
 DIGITAL INSTRUMENT DISPLAY
 TABLEAU DE L'INSTRUMENTATION DIGITALE
 DIGITALES GERÄT TAFEL
 CUADRANTE DE LA INSTRUMENTACIÓN DIGITAL


VERSIONE CON CABINA
 VERSION WITH CAB
 VERSION AVEC LA CABINE
 VERSION MIT KABINE
 VERSIÓN CON LA CABINA


Pos.	Code	Q.ty	Description	Notes
1	F0865040000	1	STEERING WHEEL	
2	F0865040020	1	PLUG	
3/1	58177087	1	SMALL COLUMN	
3/2	581A0379	1	UNIT	
4	56177086	1	CENTERING	
5	P23810500000	1	BELLOWS	
6	31112219	4	SCREW TE M10X25 UNI 5739	
7	F0843755000	4	WASHER 10	
8/1	55279820	1	INSTRUMENT PANEL	
8/2	552A0542	1	INSTRUMENT PANEL	
9/1	581A1510	1	STRUM.ECO ANALOGICO 55-65 **	
9/2	581A1511	1	STRUM.ECO DIGITALE 55-65 **	
10	31510096	8	RIBBED SCREW 4,2X16	
11	58170453	1	FUSE BOX	
11.1	58172267	1	COVER	
12/1	55279823	1	INSTRUMENT PANEL	
12/2	573A0784	1	INSTRUMENT PANEL	
12/3	55279821	1	INSTRUMENT PANEL	
13	561A0487	1	SHEET	
14	58173345	1	STEERING COLUMN SWITCH UNIT	
15	31111084	4	SCREW TE M4X16 UNI 5739 8G	
16	F0843526000	4	WASHER 4,3x12/1,5	
17	31211040	4	NUT M4	
18	58176593	1	SWITCH	
19	F0825500200	1	CHANGE-OVER SWITCH	
20	F0825500210	1	RING NUT	
21	F0825500220	1	KEY	
22	F0825400060	1	COVER	
23	F0825115010	1	PUSH-BUTTON	
24	58172043	1	FRONT GRILLE	
25	58177266	1	CHANGE-OVER SWITCH	
25.1	58177268	1	CHANGE-OVER SWITCH	
25.2	58173120	1	GLASS	
25.3	58173119	1	LAMP	

DASHBOARD



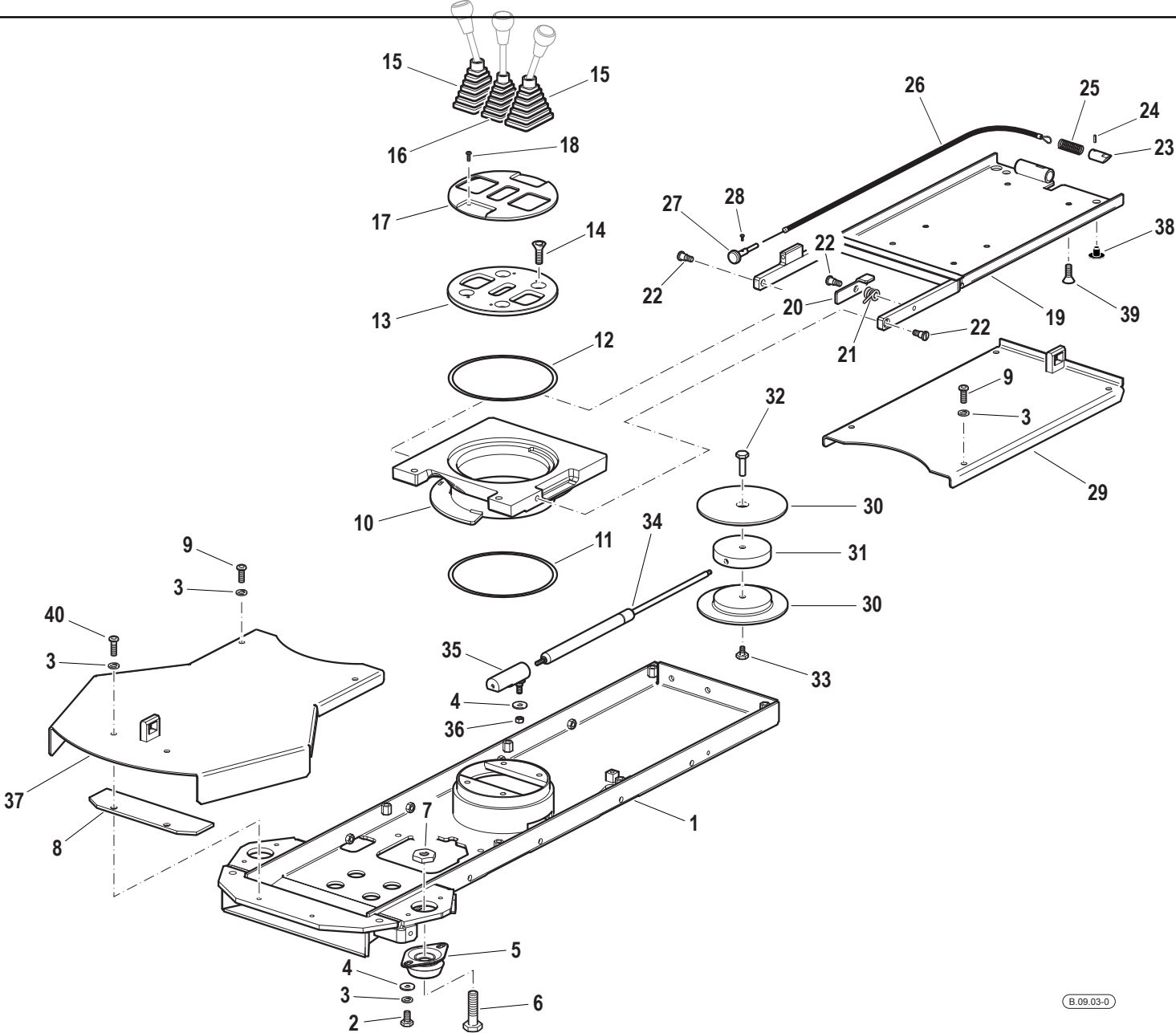

PIANTONE RECLINABILE
 STEERING COLUMN WITH ADJUSTABLE ANGLE
 TUBE DE DIRECTION AVEC INCLINAISON RÉGLABLE
 LENKSÄULE MIT EINSTELLBARER NEIGUNG
 SOPORTE DE DIRECCIÓN CON INCLINACIÓN AJUSTABLE


QUADRO STRUMENTAZIONE DIGITALE
 DIGITAL INSTRUMENT DISPLAY
 TABLEAU DE L'INSTRUMENTATION DIGITALE
 DIGITALES GERÄT TAFEL
 CUADRANTE DE LA INSTRUMENTACIÓN DIGITAL


VERSIONE CON CABINA
 VERSION WITH CAB
 VERSION AVEC LA CABINE
 VERSION MIT KABINE
 VERSIÓN CON LA CABINA

Pos.	Code	Q.ty	Description	Notes
26	58170345	1	CHANGE-OVER SWITCH	
26.1	58173116	1	CHANGE-OVER SWITCH	
26.2	58173121	1	GLASS	
26.3	58173119	1	LAMP	
27	F0825403050	1	SOCKET	
28	581A0029	1	BRIDLE	

SEAT SUPPORT / GEAR LEVERS COVER



Pos.	Code	Q.ty	Description	Notes
1	590A0280	1	BOX	
2	31111151	4	SCREW TE M8X16 UNI 5739 8G	
3	F0843643060	4	WASHER 8	
4	31411084	5	WASHER 8,4x17	
5	581A0653	2	SILENT-BLOCK	
6	31112263	2	SCREW TE M12X45 UNI 5739	
7	31221120	2	NUT M12	
8	560A0414	1	PLATE	
9	F0862479020	4	SCREW M8X16 7380	
10	59079564	1	TORR.GIREV.COMPL(A2032) * mr	
11	573A0356	1	GASKET	
12	57374545	1	GASKET	
13	593A0489	1	FLANGE	
14	F0863208050	4	SCREW M10X20 UNI 5933	
15	55174163	2	BELLOWS	
16	55174162	1	BELLOWS	
17	57374501	1	COVER	
18	F0861928050	4	SCREW M5X12 ISO 7380	
19	590A0209V	1	SUPP.SEDILE 55-65(A0209)VERDE	
20	56174462	1	RETAINING PLATE	
21	58074488	1	SPRING	
22	56375436	3	HINGE PIN	
23	56374460	1	LOCKING BOLT	
24	34211028	1	ROLL PIN	
25	58070390	1	SEAT SPRINGS	
26	580A0439	1	CABLE	
27	560A0440	1	HANDLE	
28	31112047	1	SCREW TE M4X6 UNI 5739 8G	
29	590A0216V	1	REAR COVER	
30	573A0650	2	PULLEY	
31	573A0291	1	INTERNO PULEGGIA 55-65-REV-	
32	561A0283	1	HUB	
33	56179573	1	STRAINING SCREW	
34	581A0070	1	GAS SPRING	

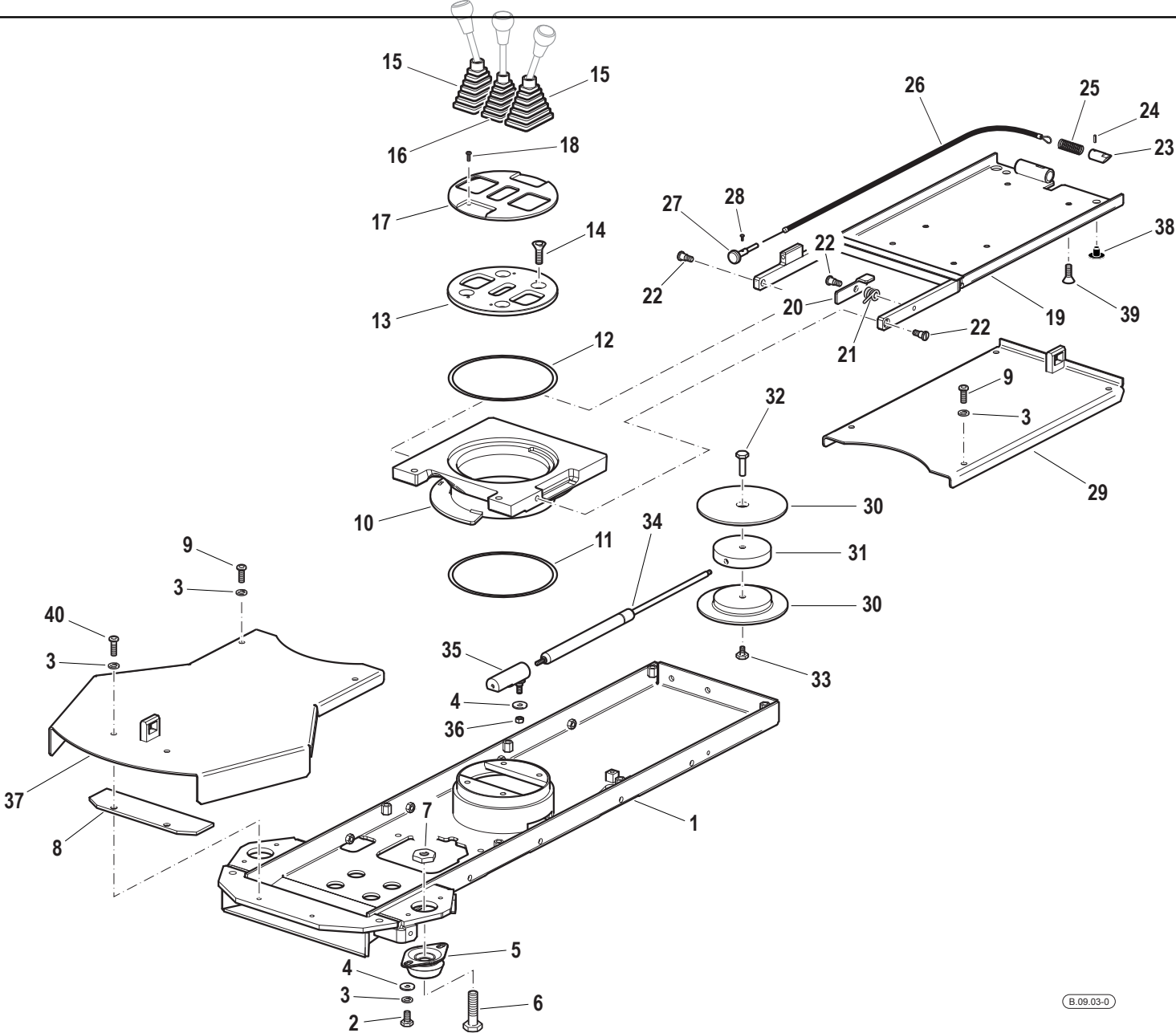
SERIAL

SEAT SUPPORT / GEAR LEVERS COVER

CODE REV

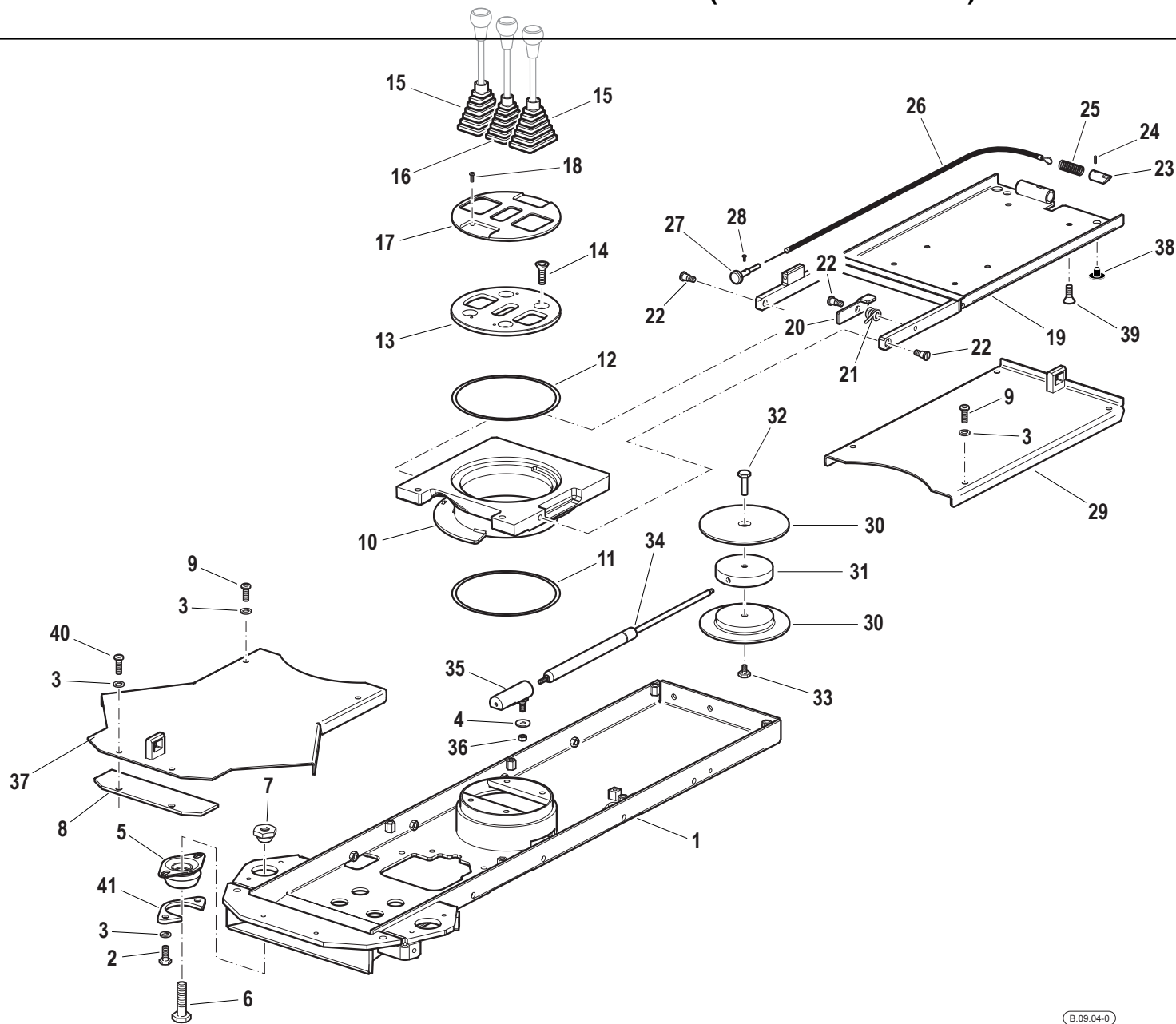
B.09.03_0_68460

SEAT SUPPORT / GEAR LEVERS COVER



Pos.	Code	Q.ty	Description	Notes
35	590A0222	1	CASING	
36	31241081	1	SELFLOCK NUT M8	
37	590A0217V	1	FRONT COVER	
38	F0822537050	2	BUFFER	
39	31132566	4	SCREW TSVEI M8X20 UNI 5933	
40	F0862479030	2	SCREW M8X20 7380	

SEAT SUPPORT / GEAR LEVERS COVER (VERSION WITH CAB)



Pos.	Code	Q.ty	Description	Notes
1	590A0280	1	BOX	
2	31112150	4	SCREW TE M8X20 UNI 5739 8G	
3	F0843643060	4	WASHER 8	
4	31411084	5	WASHER 8,4x17	
5	581A0653	2	SILENT-BLOCK	
6	31112263	2	SCREW TE M12X45 UNI 5739	
7	563A0148	2	CLAMPING NUT	
8	560A0414	1	PLATE	
9	F0862479020	4	SCREW M8X16 7380	
10	59079564	1	TORR.GIREV.COMPL(A2032) * mr	
11	573A0356	1	GASKET	
12	57374545	1	GASKET	
13	593A0489	1	FLANGE	
14	F0863208050	4	SCREW M10X20 UNI 5933	
15	55174163	2	BELLOWS	
16	55174162	1	BELLOWS	
17	57374501	1	COVER	
18	F0861928050	4	SCREW M5X12 ISO 7380	
19	590A0209V	1	SUPP.SEDILE 55-65(A0209)VERDE	
20	56174462	1	RETAINING PLATE	
21	58074488	1	SPRING	
22	56375436	3	HINGE PIN	
23	56374460	1	LOCKING BOLT	
24	34211028	1	ROLL PIN	
25	58070390	1	SEAT SPRINGS	
26	580A0439	1	CABLE	
27	560A0440	1	HANDLE	
28	31112047	1	SCREW TE M4X6 UNI 5739 8G	
29	590A0216V	1	REAR COVER	
30	573A0650	2	PULLEY	
31	573A0291	1	INTERNO PULEGGIA 55-65-REV-	
32	561A0283	1	HUB	
33	56179573	1	STRAINING SCREW	
34	581A0070	1	GAS SPRING	

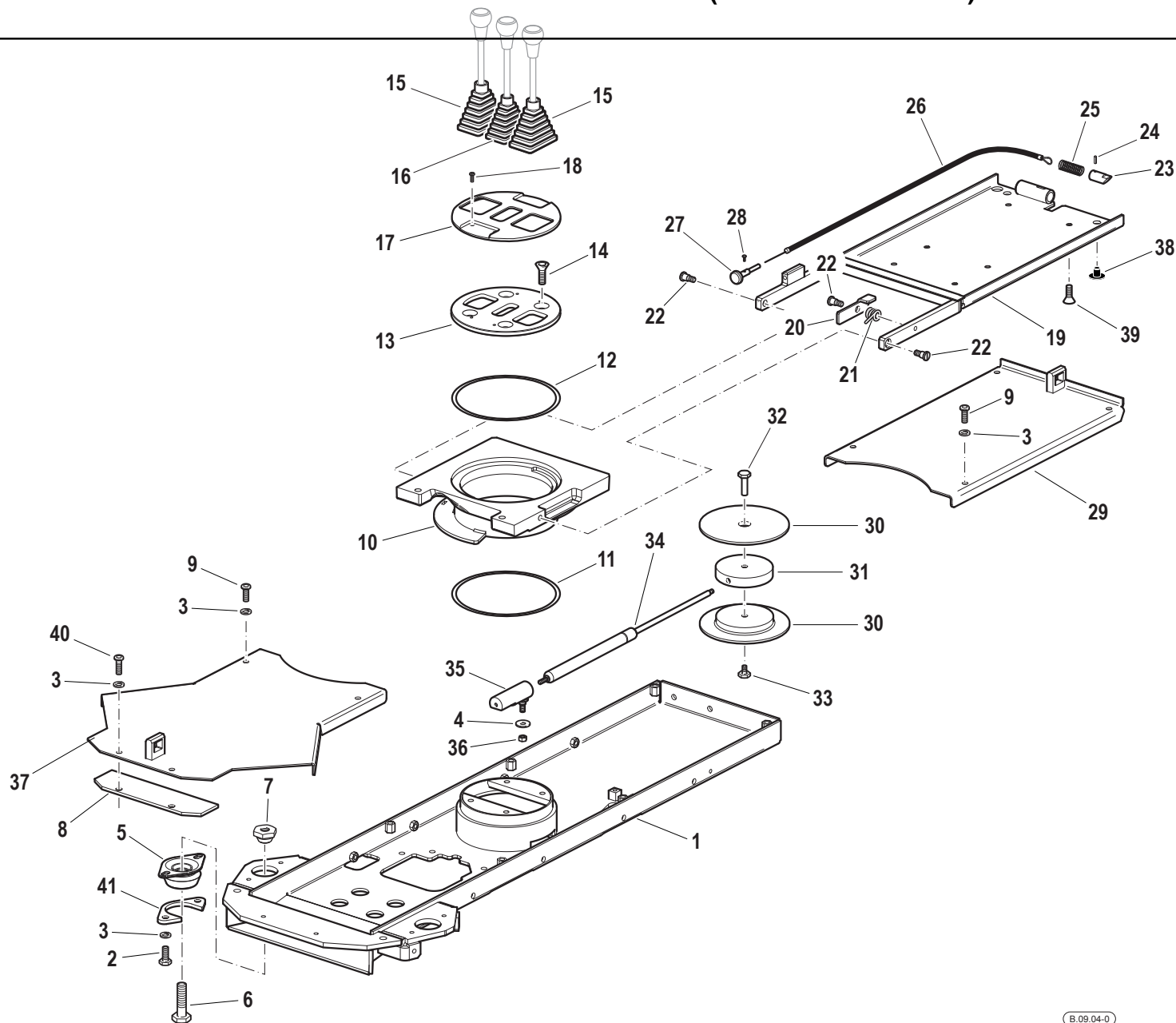
SERIAL

SEAT SUPPORT / GEAR LEVERS COVER (VERSION WITH CAB)

CODE REV

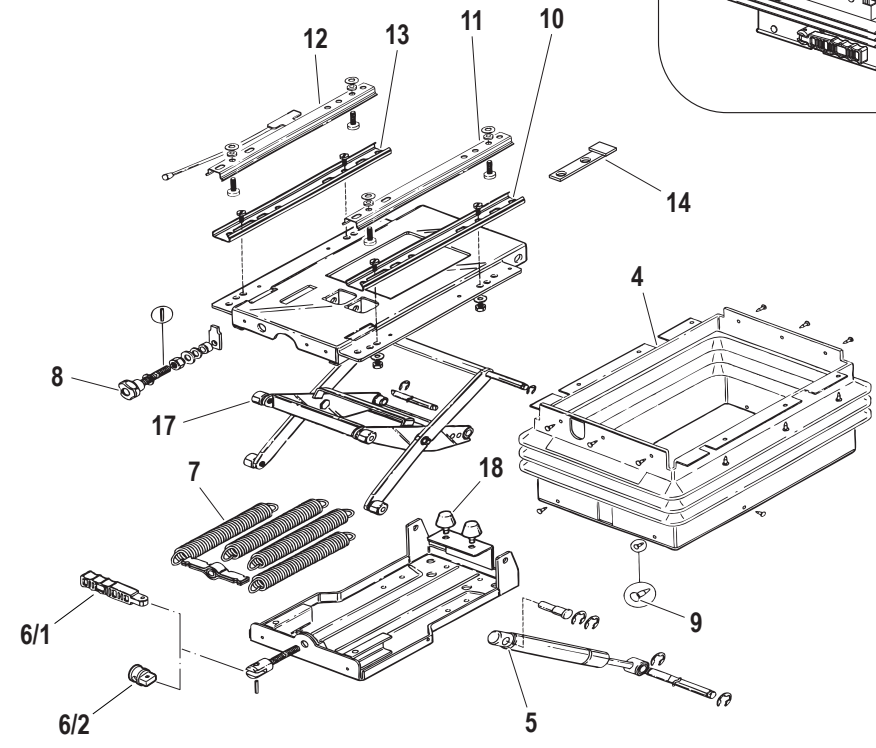
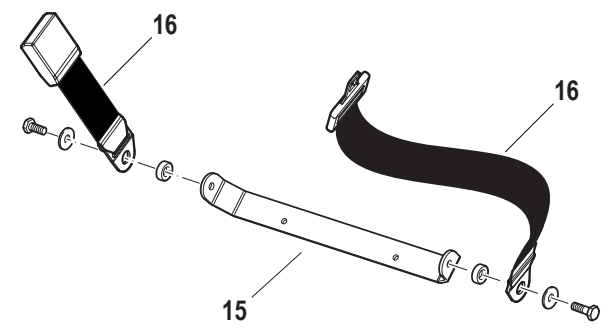
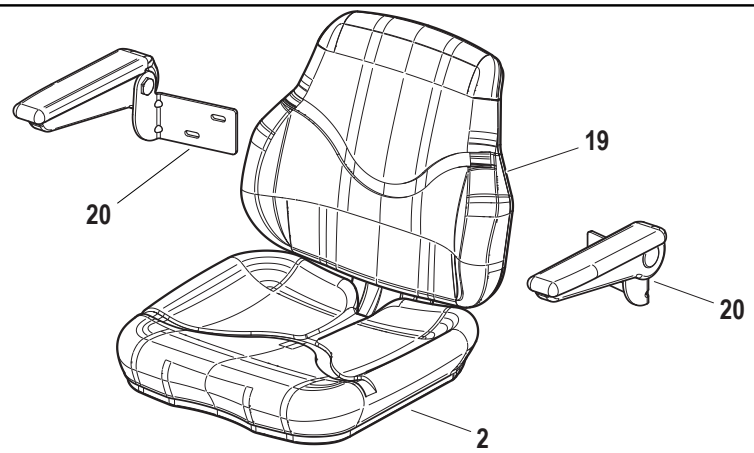
B.09.04_0_68501

SEAT SUPPORT / GEAR LEVERS COVER (VERSION WITH CAB)

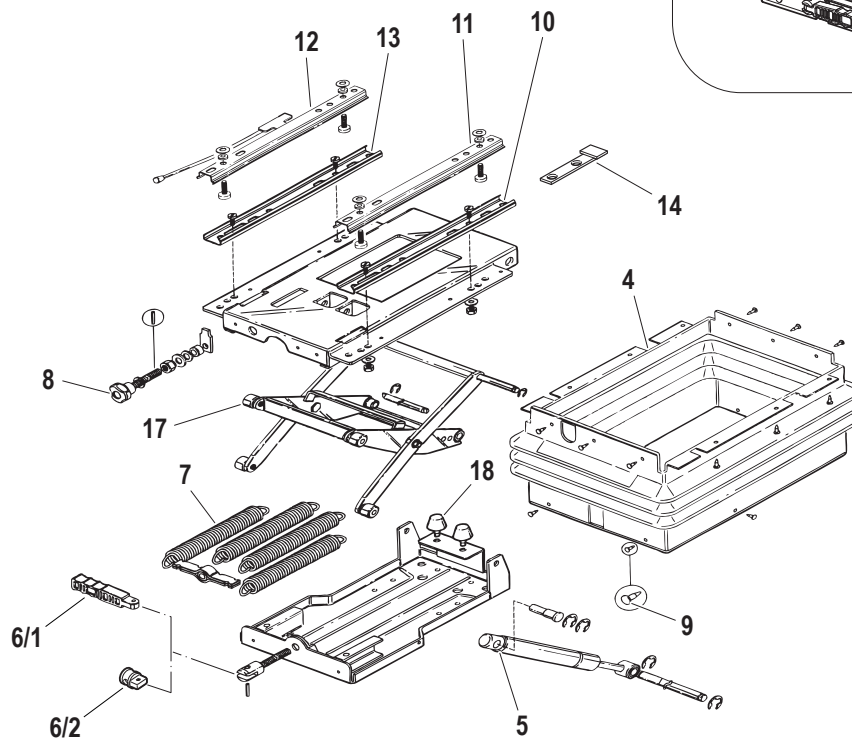
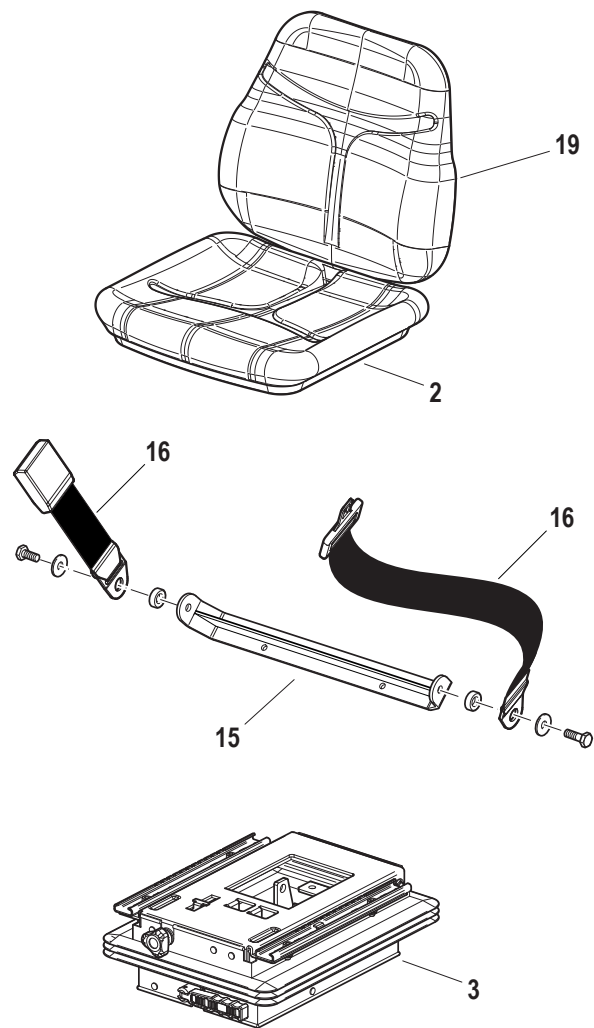


Pos.	Code	Q.ty	Description	Notes
35	590A0222	1	CASING	
36	31241081	1	SELFLOCK NUT M8	
37	590A0413V	1	FRONT COVER	
38	F0822537050	2	BUFFER	
39	31132566	4	SCREW TSVEI M8X20 UNI 5933	
40	F0862479030	2	SCREW M8X20 7380	
41	561A0691	2	PLATE	

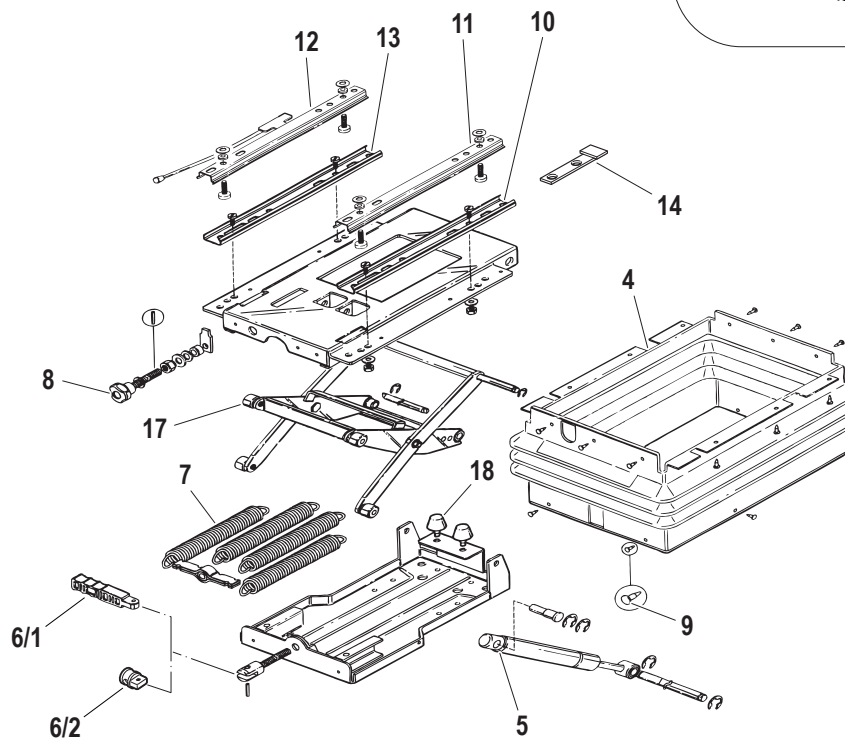
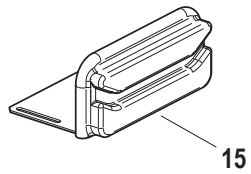
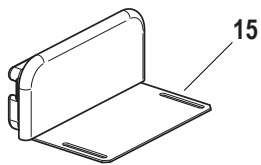
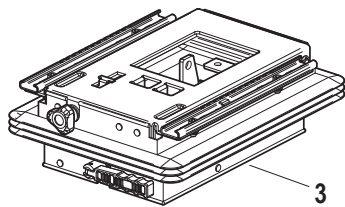
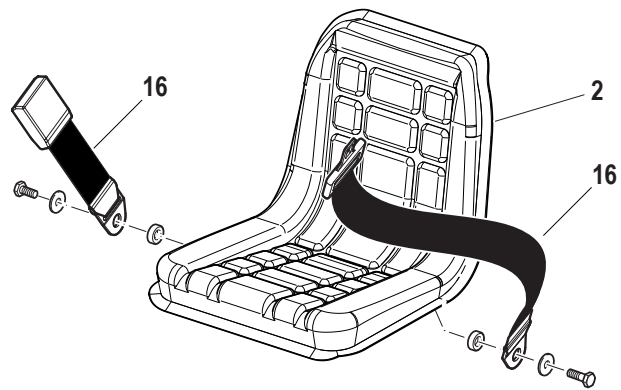
SEAT "SC79-M91"



Pos.	Code	Q.ty	Description	Notes
1	58177724	1	SEAT	
2	59901058	1	SEAT	
3	59901049	1	SUSPENSION	
4	59900159	1	BELLOWS	
5	59900156	1	SHOCKS ABSORBER	
6/1	59900155	1	LEVER	
6/2	56172172	1	SMALL BLOCK	
7	59900154	4	SPRING	
8	59900153	1	KNOB	
9	59900158	18	SCREW	
10	59900157	1	LOWER GUIDE	
11	59900160	1	GUIDE	
12	59900161	1	GUIDE	
13	59900152	1	LOWER GUIDE	
14	59071241	1	STOP PLATE	
15	59901099	1	BRACKET	
16	58192377	1	SAFETY BELT	
17	59901100	1	BUSHING	
18	59901101	2	STOP BUFFER	
19	59901057	1	BACKREST	
20	58177380	1	SMALL ARMS KIT	

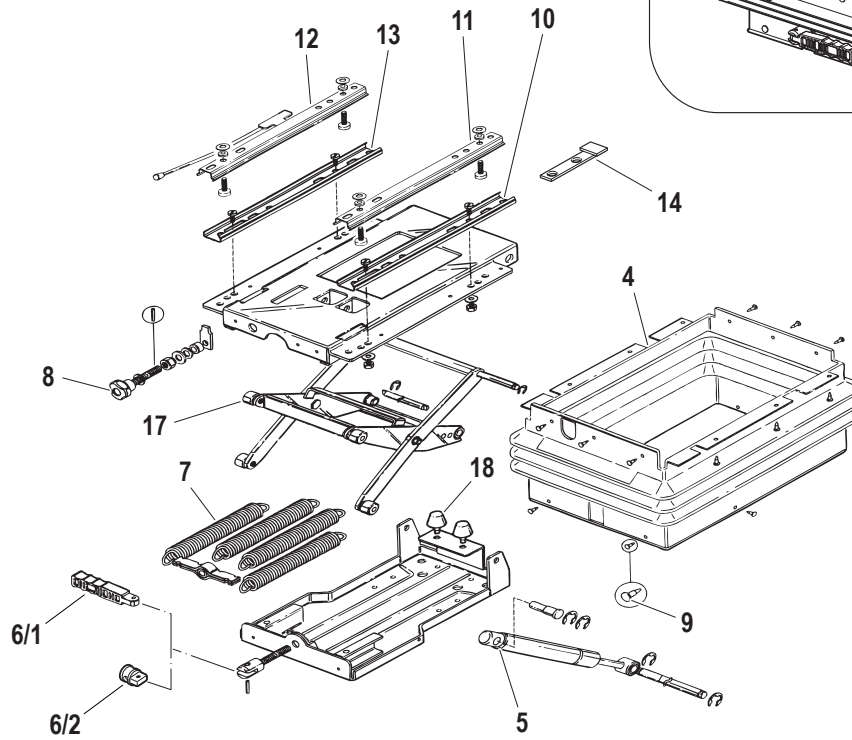
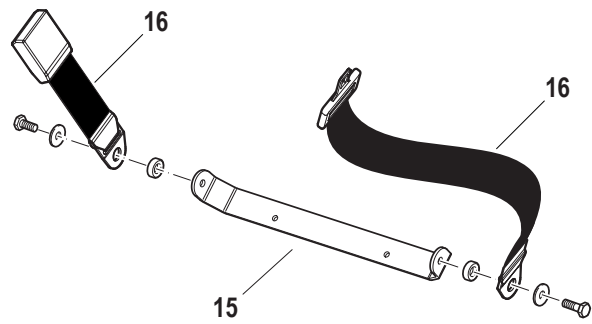
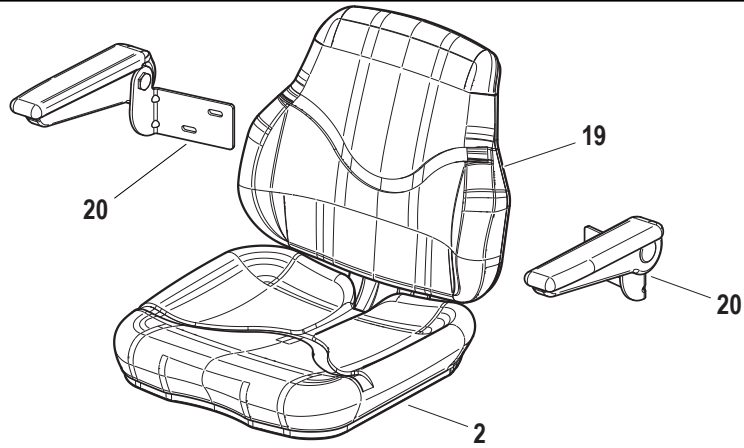


Pos.	Code	Q.ty	Description	Notes
1	58177376	1	SEAT	
2	59901052	1	SEAT	
3	59901049	1	SUSPENSION	
4	59900159	1	BELLOWS	
5	59900156	1	SHOCKS ABSORBER	
6/1	59900155	1	LEVER	
6/2	56172172	1	SMALL BLOCK	
7	59900154	4	SPRING	
8	59900153	1	KNOB	
9	59900158	18	SCREW	
10	59900157	1	LOWER GUIDE	
11	59900160	1	GUIDE	
12	59900161	1	GUIDE	
13	59900152	1	LOWER GUIDE	
14	59071241	1	STOP PLATE	
15	56177660	1	BRACKET	
16	58192377	1	SAFETY BELT	
17	59901100	1	BUSHING	
18	59901101	1	STOP BUFFER	
19	59901053	1	BACKREST	



Pos.	Code	Q.ty	Description	Notes
1	58177721	1	SEAT	
2	59901050	1	SEAT	
3	59901049	1	SUSPENSION	
4	59900159	1	BELLOWS	
5	59900156	1	SHOCKS ABSORBER	
6/1	59900155	1	LEVER	
6/2	56172172	1	SMALL BLOCK	
7	59900154	4	SPRING	
8	59900153	1	KNOB	
9	59900158	18	SCREW	
10	59900157	1	LOWER GUIDE	
11	59900160	1	GUIDE	
12	59900161	1	GUIDE	
13	59900152	1	LOWER GUIDE	
14	59071241	1	STOP PLATE	
15	58171239	2	SIDE PANEL	
16	58192377	1	SAFETY BELT	
17	59901100	2	BUSHING	
18	59901101	2	STOP BUFFER	

SEAT "SC79-M91" (VERSION WITH CAB)



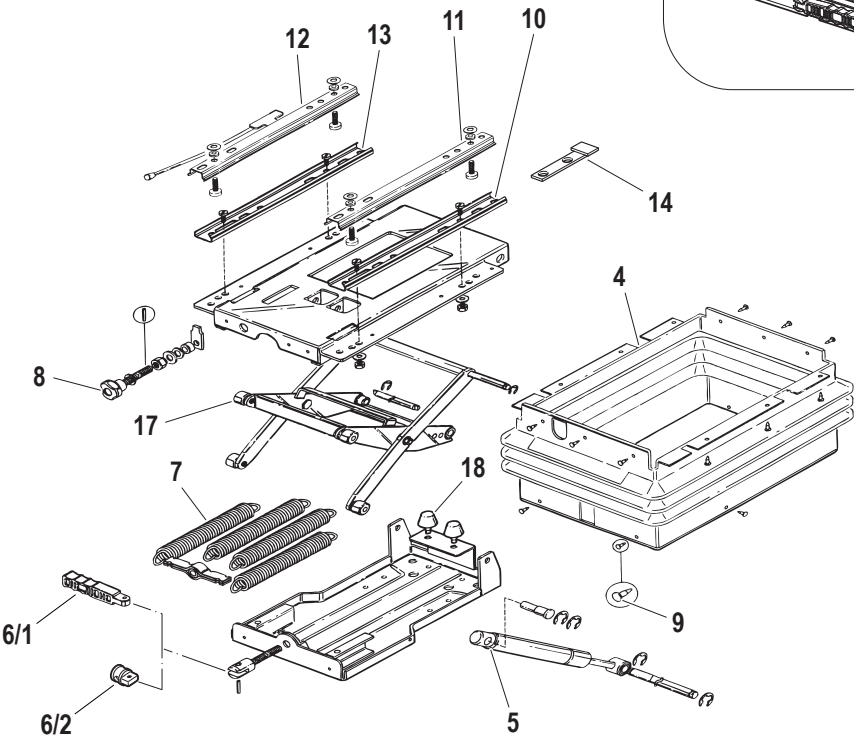
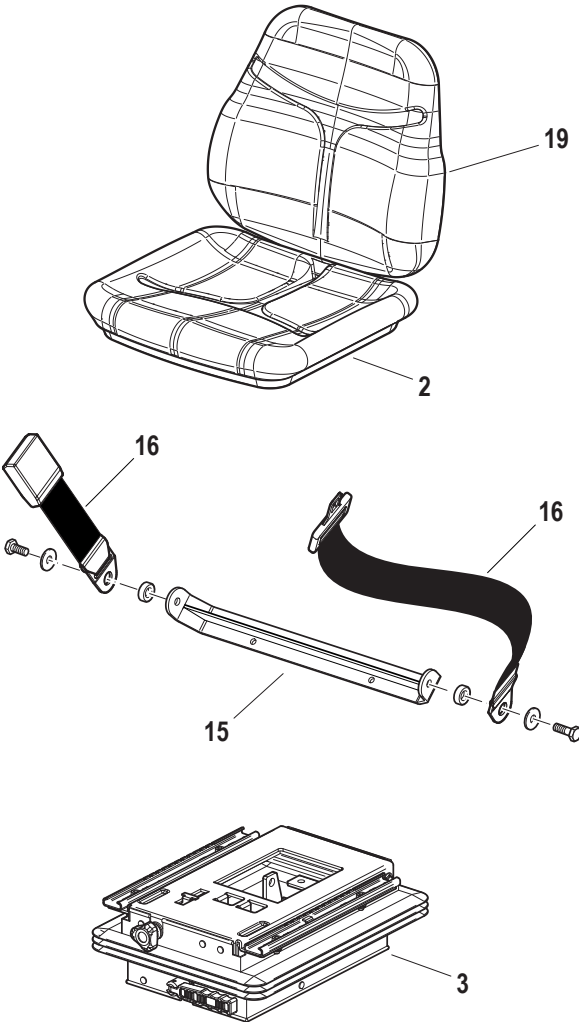
Pos.	Code	Q.ty	Description	Notes
1	58177727	1	SEAT	
2	59901060	1	SEAT CAVITY	
3	59901049	1	SUSPENSION	
4	59900159	1	BELLOWS	
5	59900156	1	SHOCKS ABSORBER	
6	59900155	1	LEVER	
7	59900154	4	SPRING	
8	59900153	1	KNOB	
9	59900158	18	SCREW	
10	59900157	1	LOWER GUIDE	
11	59900160	1	GUIDE	
12	59900161	1	GUIDE	
13	59900152	1	LOWER GUIDE	
14	59071241	1	STOP PLATE	
15	59901099	1	BRACKET	
16	58192377	1	SAFETY BELT	
17	59901100	1	BUSHING	
18	59901101	2	STOP BUFFER	
19	59901059	1	BACKREST	
20	58177380	1	SMALL ARMS KIT	

SERIAL

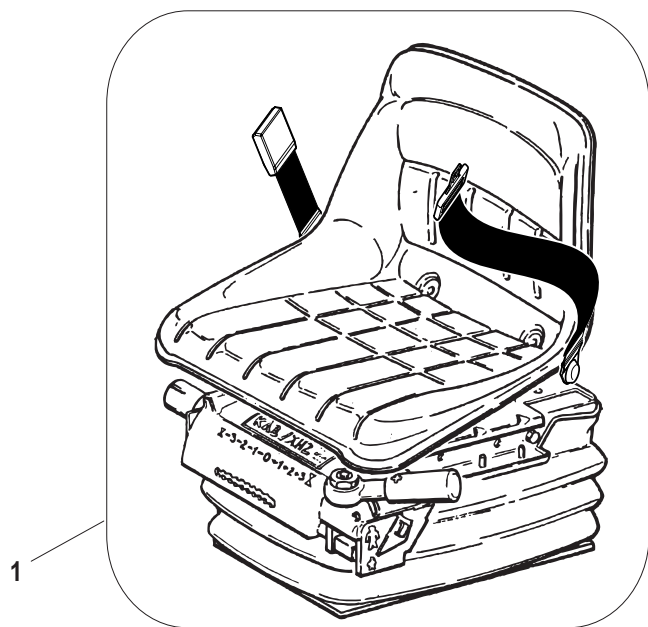
SEAT "SC79-M91" (VERSION WITH CAB)

CODE REV

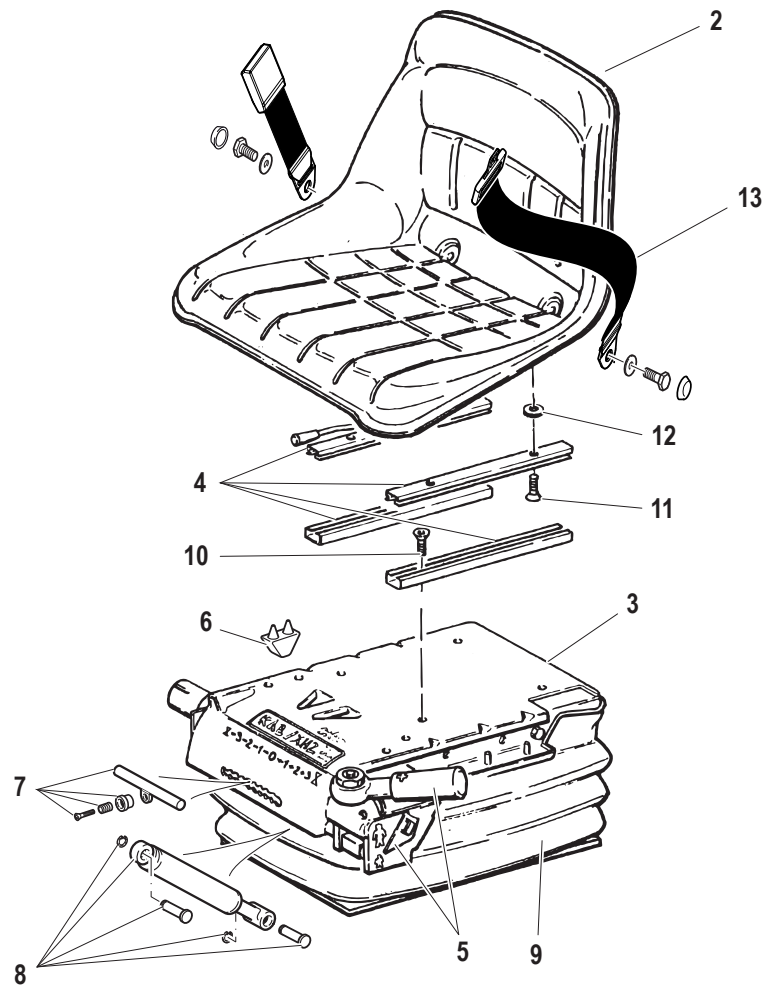
B.12.04_0_62151



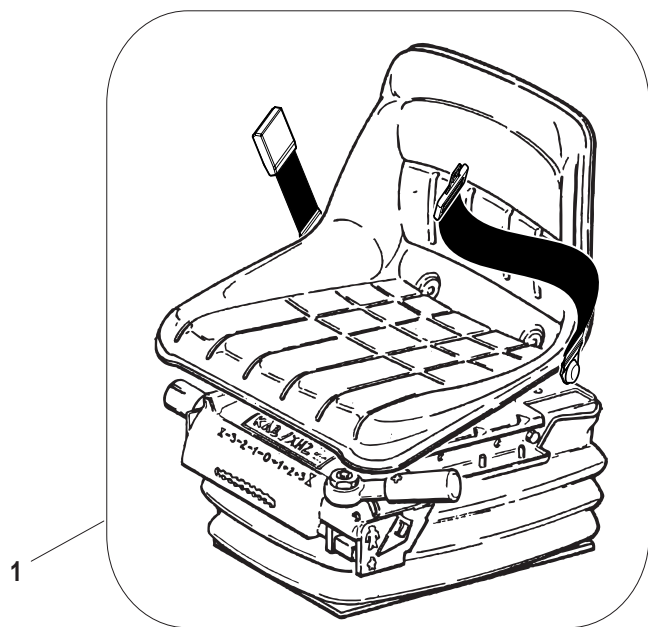
Pos.	Code	Q.ty	Description	Notes
1	58177378	1	SEAT	
2	59901054	1	SEAT	
3	59901049	1	SUSPENSION	
4	59900159	1	BELLOWS	
5	59900156	1	SHOCKS ABSORBER	
6/1	59900155	1	LEVER	
6/2	56172172	1	SMALL BLOCK	
7	59900154	4	SPRING	
8	59900153	1	KNOB	
9	59900158	18	SCREW	
10	59900157	1	LOWER GUIDE	
11	59900160	1	GUIDE	
12	59900161	1	GUIDE	
13	59900152	1	LOWER GUIDE	
14	59071241	1	STOP PLATE	
15	56177660	1	BRACKET	
16	58192377	1	SAFETY BELT	
17	59901100	4	BUSHING	
18	59901101	2	STOP BUFFER	
19	59901055	1	BACKREST	



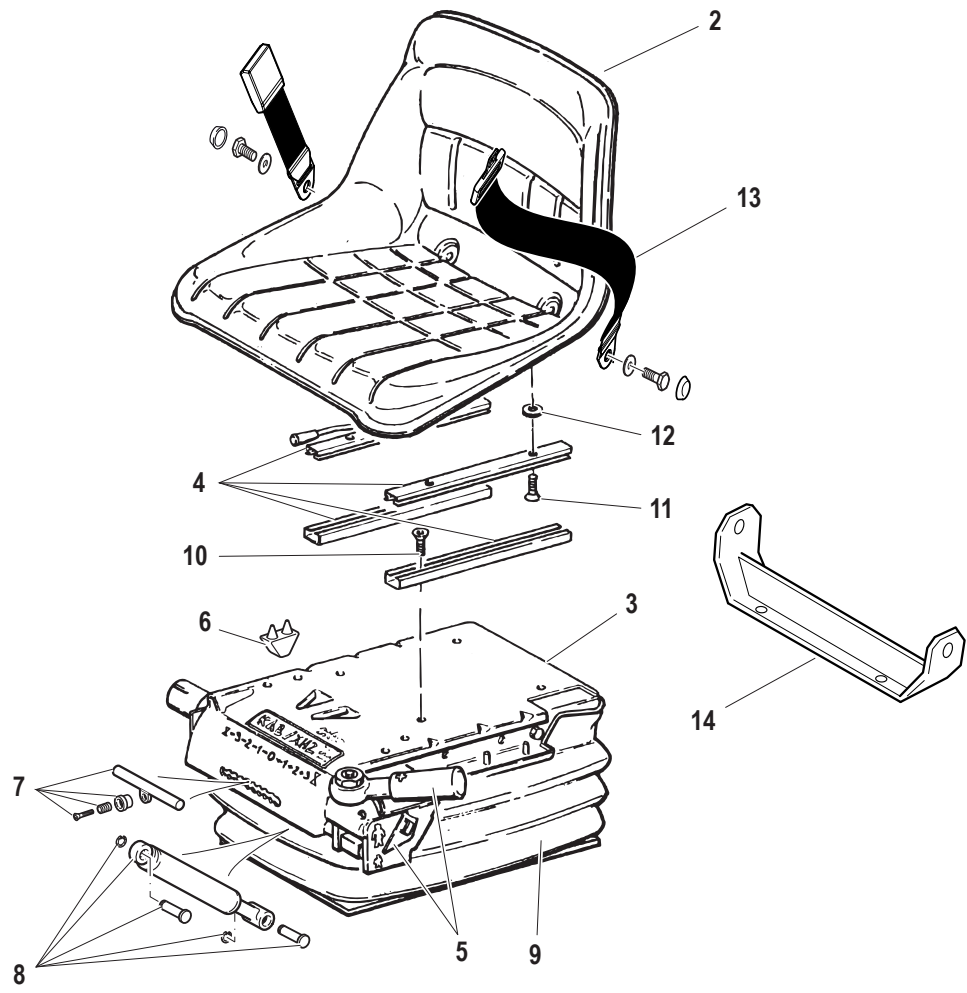
B.12.06-0



Pos.	Code	Q.ty	Description	Notes
1	59900200	1	SEAT	
2	F0150036215	1	SEAT CAVITY	
3	F0150036219	1	SPRING	
4	58173437	1	SEAT GUIDE	
5	59900183	1	CONTROL	
6	59900184	1	SPRINGS LIMITER	
7	59900185	1	CONTROL	
8	59900186	1	SHOCKS ABSORBER	
9	59900187	1	BELLOWS	
10	31111151	5	SCREW TE M8X16 UNI 5739 8G	
11	F0862495010	4	SCREW M8X16 UNI 5931	
12	F0843696000	4	WASHER D.24x8/6	
13	58192377	1	SAFETY BELT	

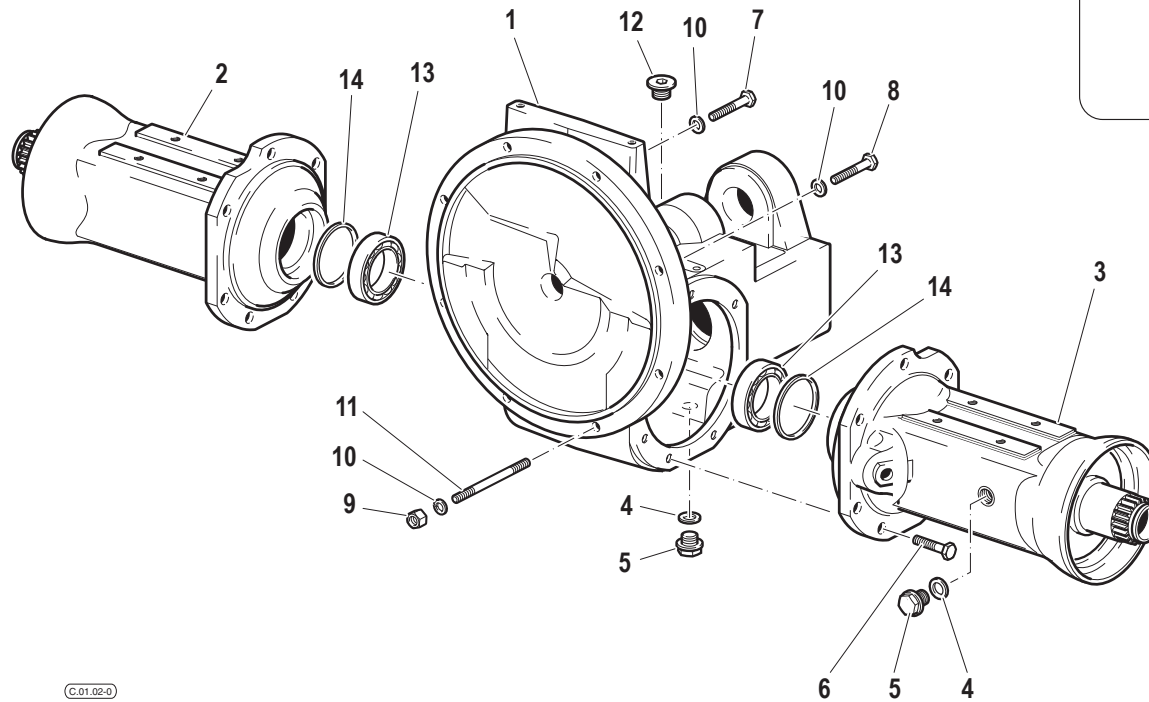
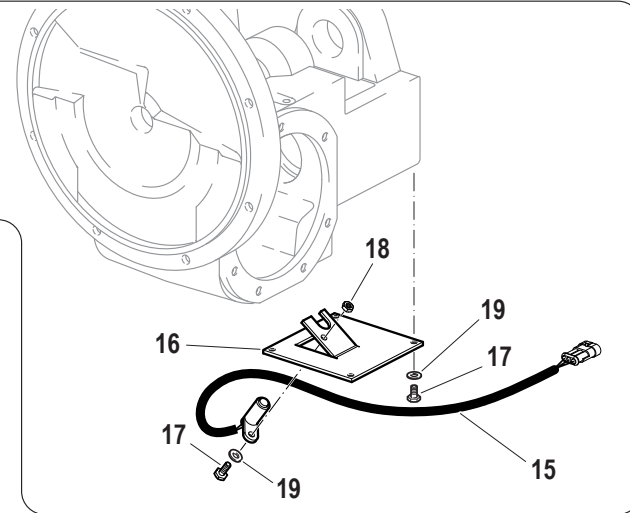


B.12.07-0



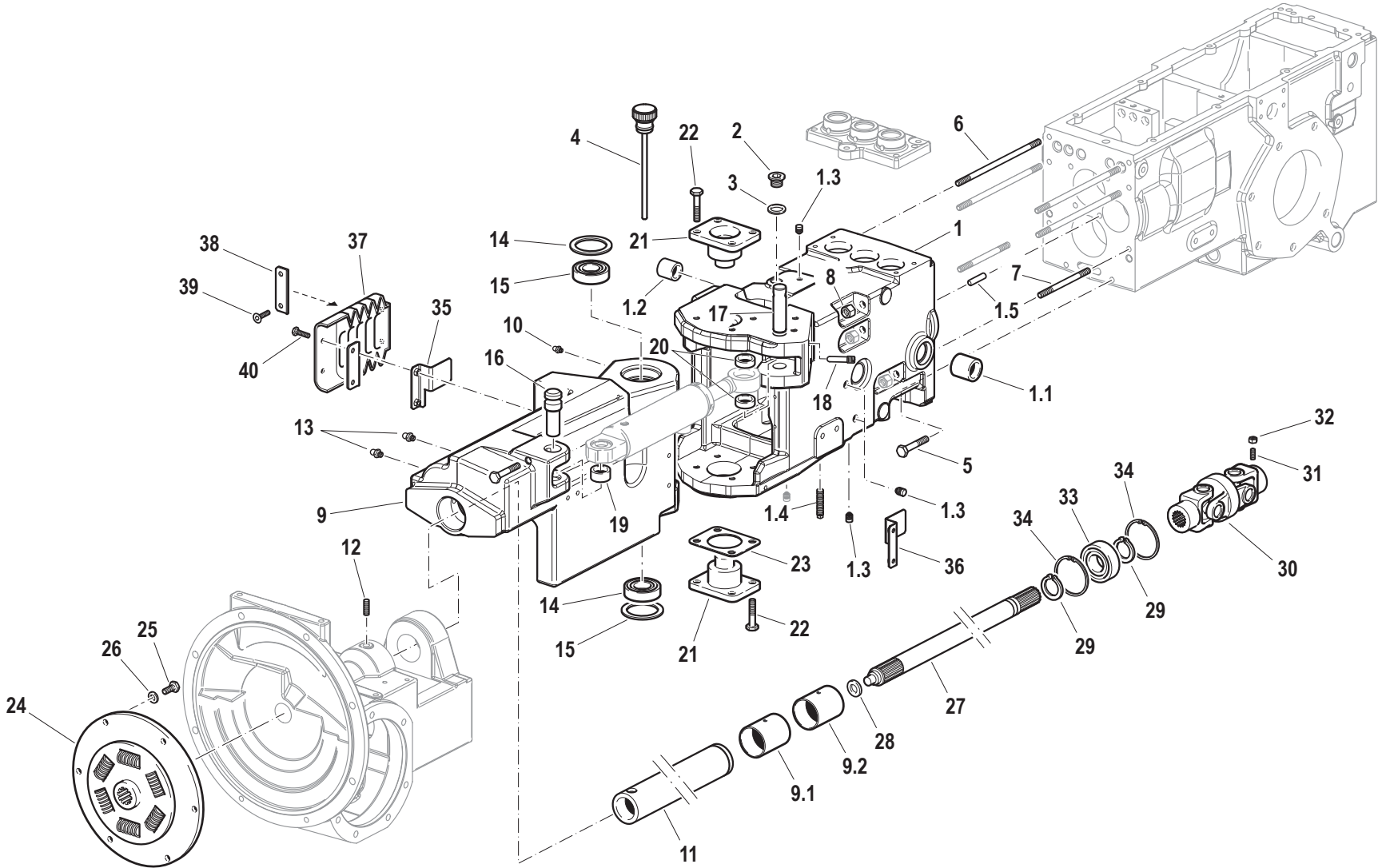
Pos.	Code	Q.ty	Description	Notes
1	59900199	1	SEAT	
2	F0150036216	1	SEAT CAVITY	
3	F0150036219	1	SPRING	
4	58173437	1	SEAT GUIDE	
5	59900183	1	CONTROL	
6	59900184	1	SPRINGS LIMITER	
7	59900185	1	CONTROL	
8	59900186	1	SHOCKS ABSORBER	
9	59900187	1	BELLOWS	
10	31111151	5	SCREW TE M8X16 UNI 5739 8G	
11	F0862495010	4	SCREW M8X16 UNI 5931	
12	F0843696000	6	WASHER D.24x8/6	
13	58192377	1	SAFETY BELT	
14	56178591	1	BRACKET	

QUADRO STRUMENTAZIONE DIGITALE
 DIGITAL INSTRUMENT DISPLAY
 TABLEAU DE L'INSTRUMENTATION DIGITALE
 DIGITALE GERÄT TAFEL
 CUADRANTE DE LA INSTRUMENTACIÓN DIGITAL



Pos.	Code	Q.ty	Description	Notes
1	511A0635	1	FRONT AXLE HOUSING	
2	512A0909	1	FRONT AXLE HOUSING	
3	512A0910	1	FRONT AXLE HOUSING	
4	F0844273090	1	GASKET 22X28X1,5 CU 99,5	
5	56370081	1	PLUG	
6	31112264	7	SCREW TE M12X35 UNI 5739	
7	31112214	2	SCREW TE M10X45 UNI 5739	
8	31112211	4	SCREW TE M10X30 UNI 5739	
9	31211100	2	NUT M10	
10	F0843755000	2	WASHER 10	
11	F0838475000	2	STUD BOLT M10X90 UNI 5911 8.8	
12	58071790	1	PLUG	
13	F0812895000	2	BEARING 32008 (40X68X19)	
14	56371582	1	RING	
14	56371583	1	RING	
14	56371584	1	RING	
14	56371585	1	RING	
14	56371586	1	RING	
15	581A0028	1	SENSOR	
16	590A0436	1	BRACKET	
17	31112090	5	SCREW TE M6X16 UNI 5739 8G	
18	31211060	1	NUT M6	
19	31411064	5	WASHER 6,4x12,5	

CENTRAL SECTION



Pos.	Code	Q.ty	Description	Notes
1	59279544	1	SCAT.FRIZIONE 55-65 AR COMPL.	
1.1	58071793	1	BUSHING	
1.2	P00000000798	1	BUSHING	
1.3	58179811	5	PLUG	
1.4	58079118	1	ROD	
1.5	56370228	2	CYLINDRICAL PLUG	
2	30000777	1	PLUG 3/8 DIN 908	
3	F0824110000	1	COPPER WASHER 3/8 GAS	
4	58179690	1	OIL LEVEL ROD	
5	F0863359000	2	SCREW M10X40 UNI 5737	
6	F0838535050	4	STUD BOLT M10X170 UNI5911	
7	F0838475000	2	STUD BOLT M10X90 UNI 5911 8.8	
8	F0814647000	6	NUT M10	
9	59279819	1	BOX	
9.1	56276360	1	BUSHING	
9.2	56276359	1	BUSHING	
10	30000007	2	LUBRICATOR	
11	56471645	1	PIN	
12	31100922	1	SCREW	
13	F0826056000	2	LUBRICATOR M10 UNI 7663A	
14	F0812747000	2	BEARING 32006X (30x55x17)	
15	58170077	2	GASKET	
16	56373542	1	HINGE PIN	
17	56379584	1	HINGE PIN	
18	56370178	2	SCREW	
19	56170226	1	SPACER	
20	561A0167	2	SPACER	
21	523A0166	2	JOINT PIN	
22	F0863267050	8	SCREW M10x25	
23	52172158	1	SHIM	
23	52172159	1	SHIM	
23	52172160	1	SHIM	
23	52172161	1	SHIM	
23	52172162	1	SHIM	

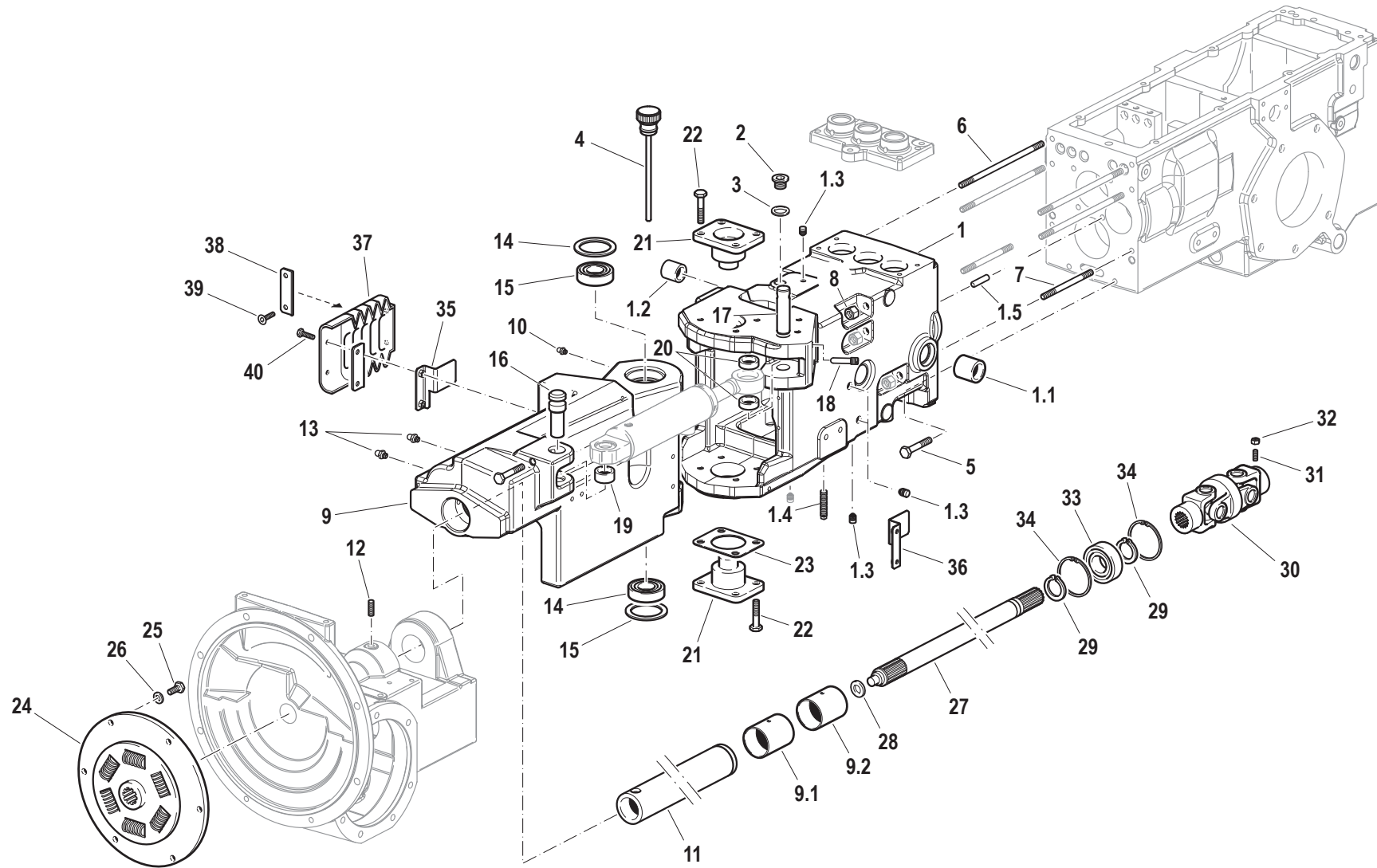
SERIAL

CENTRAL SECTION

CODE REV

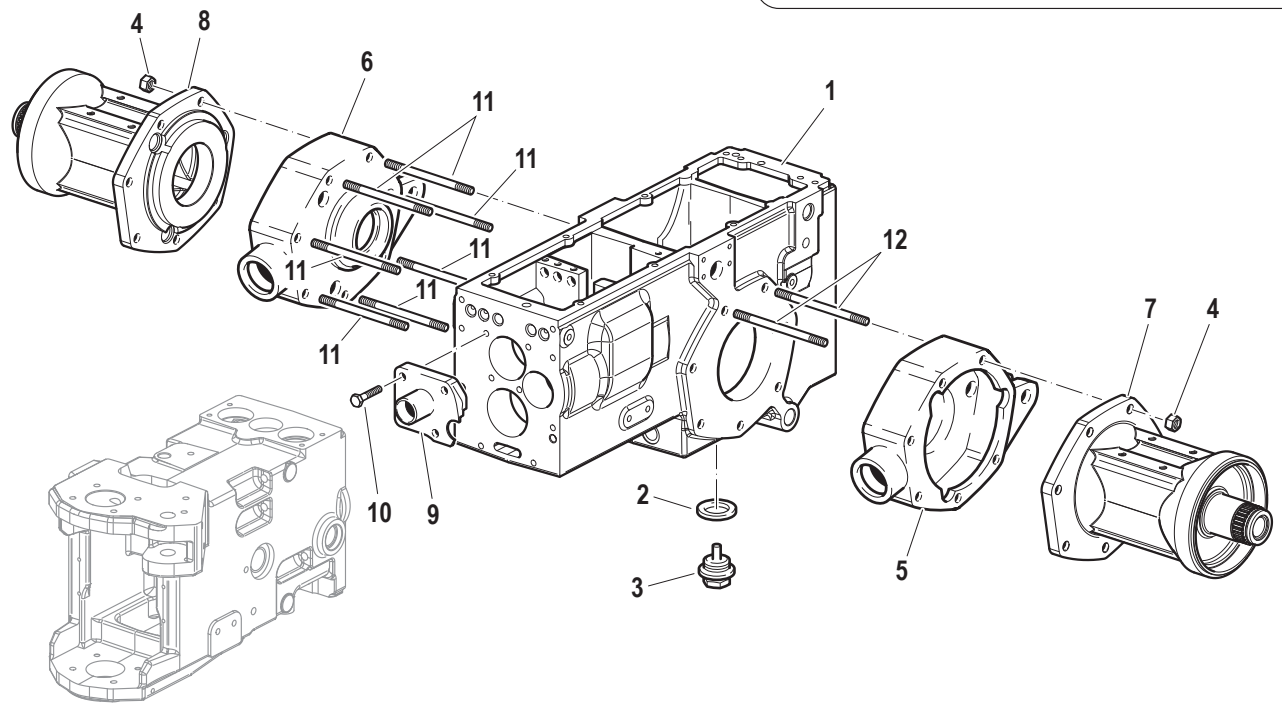
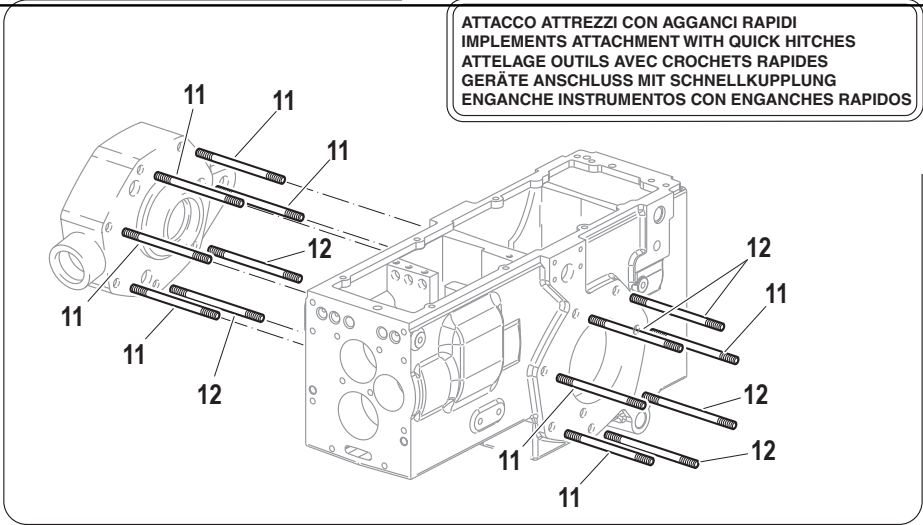
C.02.02_0_68138

CENTRAL SECTION



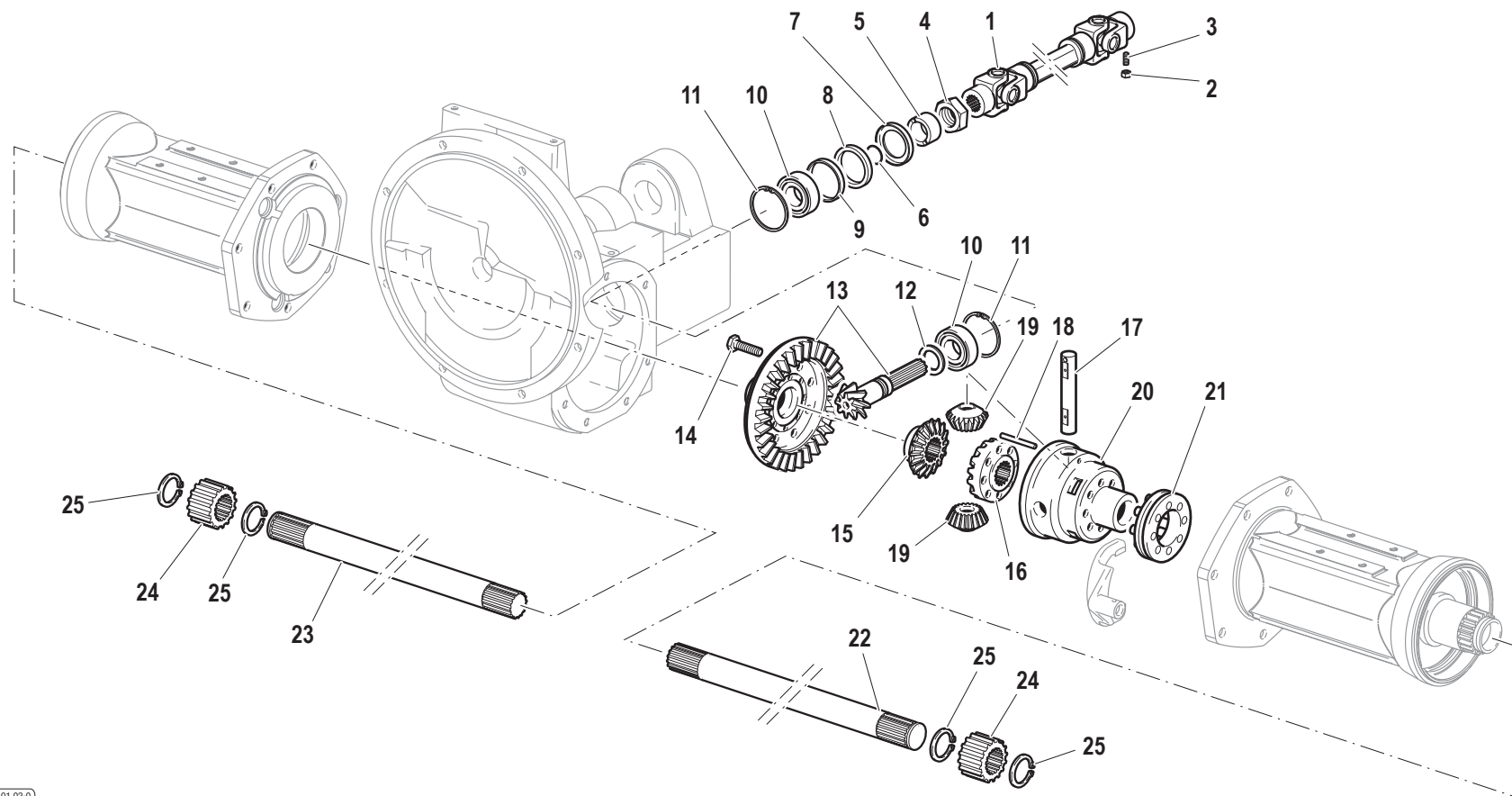
Pos.	Code	Q.ty	Description	Notes
24	581A0611	1	JOINT	
25	31112150	6	SCREW TE M8X20 UNI 5739 8G	
26	31421083	6	WASHER	
27	56572156	1	FRONT CLUTCH SHAFT	
28	56379523	1	SPACER	
29	35121025	2	SEEGER RING E 25 DIN 471	
30	58172155	1	CARDAN JOINT	
31	F0862593050	1	SCREW M8X20 UNI 5927	
32	31211080	1	NUT M8	
33	37112249	1	BEARING	
34	35111052	2	SEEGER RING I 52 DIN 472	
35	59075711	1	PLATE	
36	59075712	1	FIXING PLATE	
37	55172608	2	BELLOWS	
38	56172163	2	FIXING BRACKET	
39	F0861990050	4	SCREW M6X12 UNI 5933 10.9 ZNT	
40	31112093	4	SCREW TE M6X20 UNI 5739 8G	

ATTACCO ATTREZZI CON AGGANCI RAPIDI
 IMPLEMENTS ATTACHMENT WITH QUICK HITCHES
 ATTELAGE OUTILS AVEC CROCHETS RAPIDES
 GERÄTE ANSCHLUSS MIT SCHNELLKUPPLUNG
 ENGANCHE INSTRUMENTOS CON ENGANCHES RAPIDOS

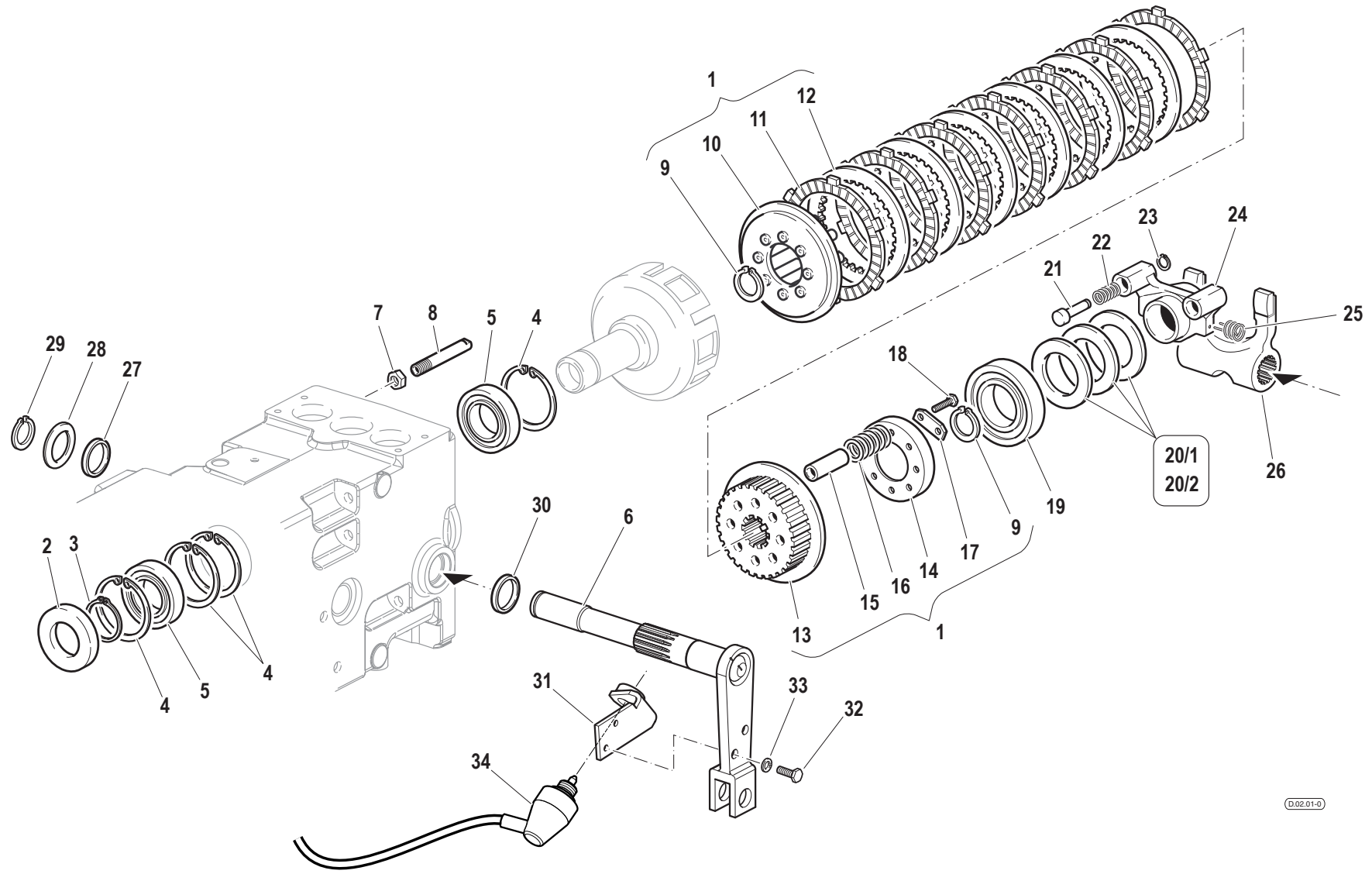


Pos.	Code	Q.ty	Description	Notes
1	51179030	1	GEAR BOX	
2	31480191	1	COPPER WASHER 30x36/1,5	
3	581A0108	1	PLUG	
4	F0814695000	14	NUT M12	
5	51171603	1	BRAKE HOUSING	
6	51171604	1	BRAKE HOUSING	
7	512A0109	1	REAR AXLE HOUSING	
8	512A0110	1	REAR AXLE HOUSING	
9	59079172	1	FRONT COVER	
10	31112219	4	SCREW TE M10X25 UNI 5739	
11	F0838660000	12	STUD BOLT M12X105 UNI 5911-66	
12	F0838660100	2	STUD BOLT M12x115 UNI 5911-66	

FRONT TRANSMISSION



Pos.	Code	Q.ty	Description	Notes
1	58171673	1	CONSTANT VEL. JOINT	
2	31211080	1	NUT M8	
3	F0862657000	1	GRAIN	
4	56371666	1	RING NUT	
5	56471665	1	SPACER	
7	56171671	1	PROTECTIVE RING D=62	
8	F0802190010	1	SEAL 42x62/7	
9	56171672	1	SPACER	
10	37221300	2	CYL. ROLLER BEARING	
11	35111063	2	SEEGER RING I 62 UNI 7438	
12	38112670	1	O-RING	
12	56371667	1	SHIM	
12	56371668	1	SHIM	
12	56371669	1	SHIM	
12	56371670	1	SHIM	
13	59379018	1	BEVEL GEAR	
14	F0863267050	8	SCREW M10x25	
15	52471513	1	CROWN WHEEL	
16	52471516	1	CROWN WHEEL	
17	56471508	1	PIN	
18	56371994	1	PIN	
19	52471509	2	PLANETARY GEAR	
20	51374866	1	HOUSING	
21	59071518	1	SLEEVE	
22	56572623	1	AXLE SHAFT	
23	56572624	1	AXLE SHAFT	
25	F0801175050	4	SEEGER RING E 24X1,75 UNI 7436	



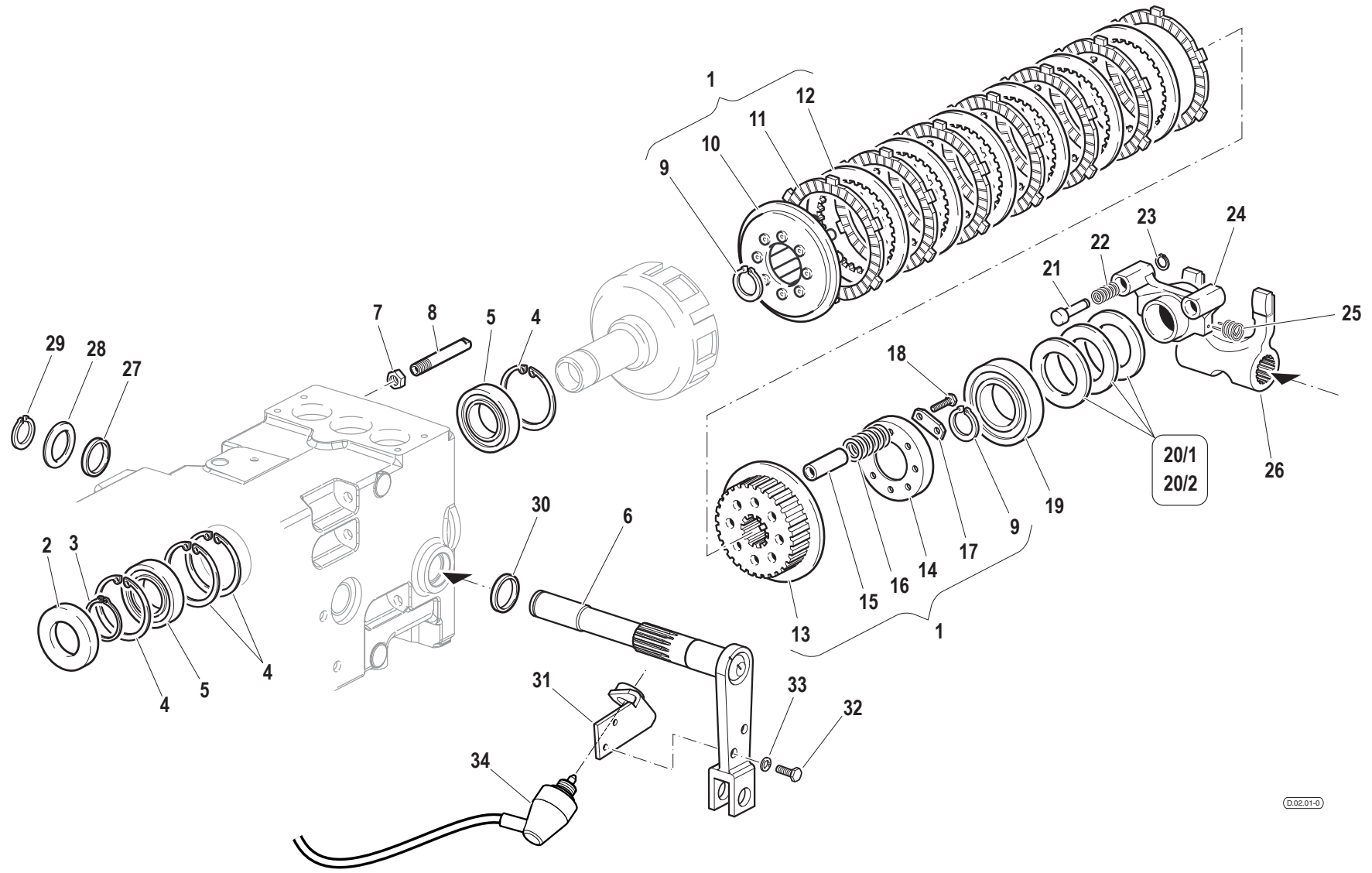
Pos.	Code	Q.ty	Description	Notes
1	59978096	1	CLUTCH KIT	
2	F0802187050	1	OIL SEAL 40x68/10	
3	35121040	1	SEEGER RING E 40 DIN 471	
4	F0801408000	4	SEEGER RING I 68 UNI 7437	
5	37111400	2	BEARING	
6	59079672	1	SHAFT	
7	F0814689050	1	NUT M12X1,75 CH.17/H7	
8	56171934	1	PIPE	
9	F0801241010	2	SEEGER RING E 30 UNI 7436	
10	59271501	1	CLUTCH DISC	
11	58171558	7	CLUTCH DISC	
12	58171559	6	DISC	
13	52479217	1	DISC HUB	
14	56379528	1	CLUTCH FLANGE	
15	56171499	4	SPACER	
16	58079582	8	COUPLING SPRING	
17	52071702	4	CLAMPING PLATE	
18	31111091	8	SCREW E M6X14 UNI 5739 8G	
19	37111460	1	BEARING	
20/1	P00000000667	1	SHIM PS 45x55/0,5	
20/2	P00000000667	1	SHIM PS 45x55/0,2	
21	56471728	2	PISTON	
22	58071734	2	SPRING	
23	F0801028000	2	SEEGER RING E 8 UNI 7435	
24	51171842	1	SLEEVE	
25	F0819180080	2	SPRING	
26	52371733	1	CLUTCH FORK	
27	F0802088050	1	SEAL 22x32x6	
28	31411210	1	WASHER 21x37	
29	35121022	1	SEEGER RING E 20 UNI 7436	
30	38212503	1	OIL SEAL 25x35/7	
31	590A0775	1	BRACKET	
32	F0862129000	2	SCREW M6X18 UNI 5739 8.8	
33	31411064	2	WASHER 6,4x12,5	

SERIAL

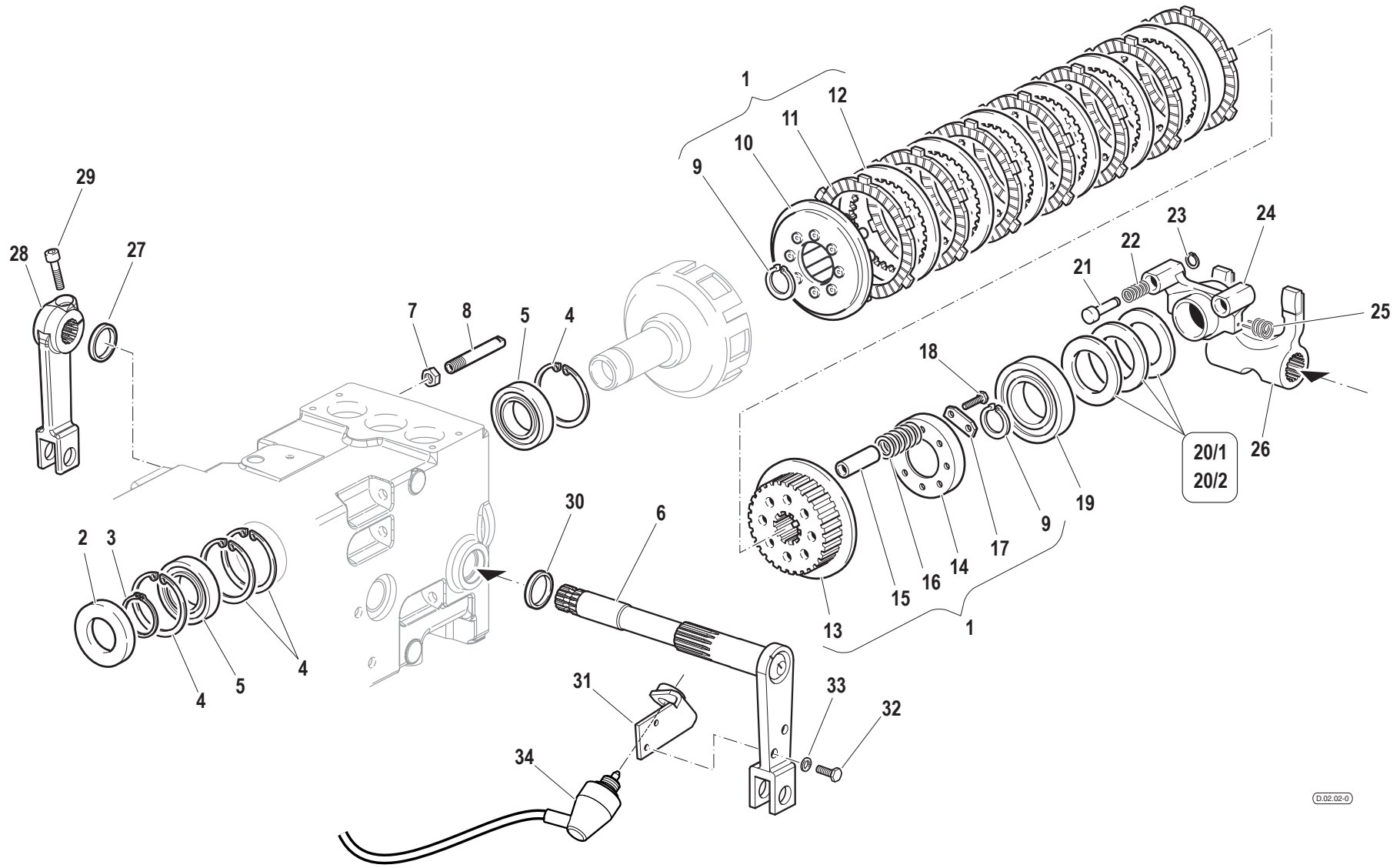
TRANSMISSION CLUTCH

CODE REV

D.02.01_0_68309



Pos.	Code	Q.ty	Description	Notes
34	58079885	1	CABLE	



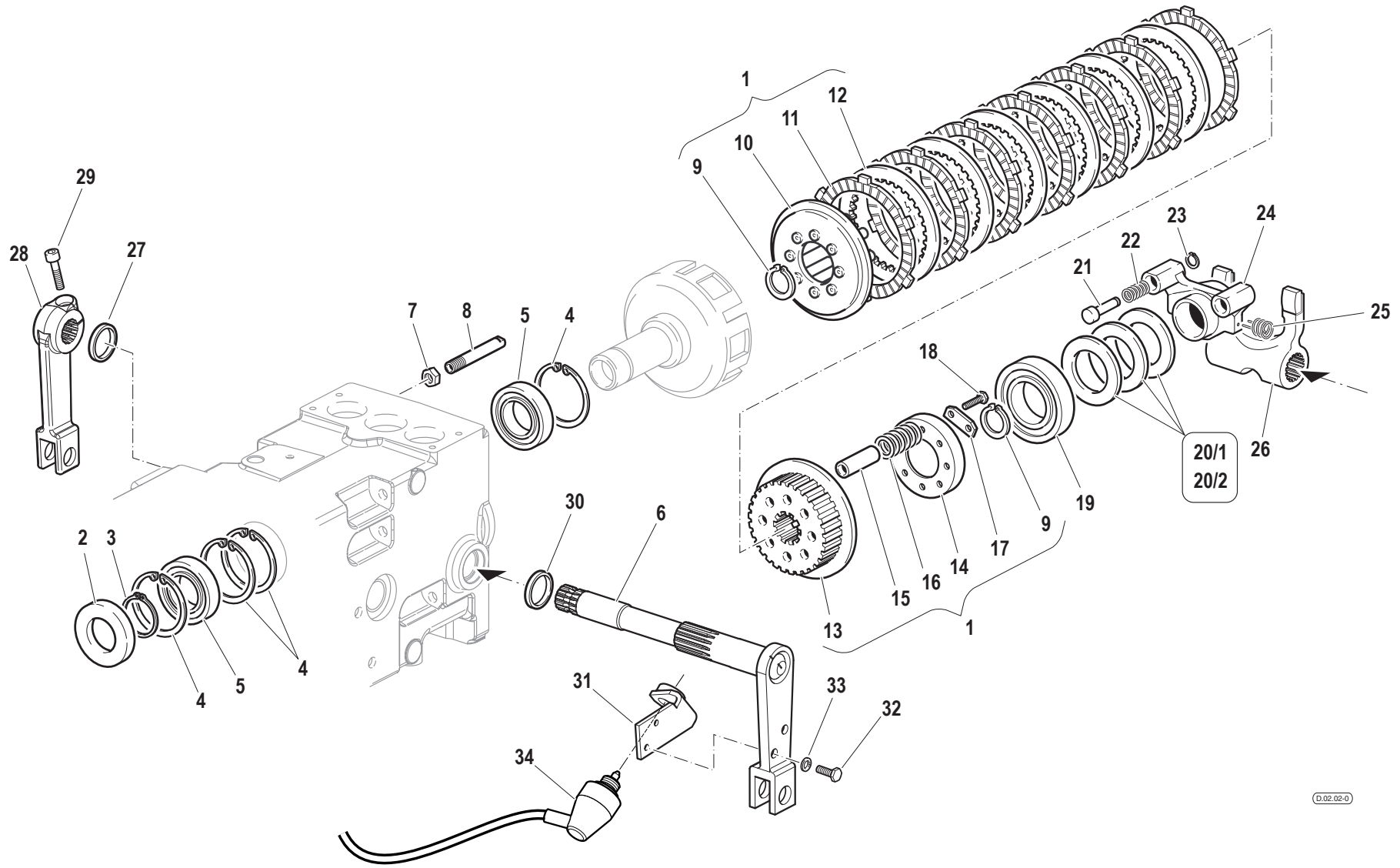
Pos.	Code	Q.ty	Description	Notes
1	59978096	1	CLUTCH KIT	
2	F0802187050	1	OIL SEAL 40x68/10	
3	35121040	1	SEEGER RING E 40 DIN 471	
4	F0801408000	4	SEEGER RING I 68 UNI 7437	
5	37111400	2	BEARING	
6	59079538	1	SHAFT	
7	F0814689050	1	NUT M12X1,75 CH.17/H7	
8	56171934	1	PIPE	
9	F0801241010	2	SEEGER RING E 30 UNI 7436	
10	59271501	1	CLUTCH DISC	
11	58171558	7	CLUTCH DISC	
12	58171559	6	DISC	
13	52479217	1	DISC HUB	
14	56379528	1	CLUTCH FLANGE	
15	56171499	4	SPACER	
16	58079582	8	COUPLING SPRING	
17	52071702	4	CLAMPING PLATE	
18	31111091	8	SCREW E M6X14 UNI 5739 8G	
19	37111460	1	BEARING	
20/1	P00000000667	1	SHIM PS 45x55/0,5	
20/2	P00000000667	1	SHIM PS 45x55/0,2	
21	56471728	2	PISTON	
22	58071734	2	SPRING	
23	F0801028000	2	SEEGER RING E 8 UNI 7435	
24	51171842	1	SLEEVE	
25	F0819180080	2	SPRING	
26	52371733	1	CLUTCH FORK	
27	F0802088050	1	SEAL 22x32x6	
28	56579865	1	CLUTCH LEVER	
29	31152083	1	SCREW TCEI M8X30 UNI 5931	
30	38212503	1	OIL SEAL 25x35/7	
31	590A0775	1	BRACKET	
32	F0862129000	2	SCREW M6X18 UNI 5739 8.8	
33	31411064	2	WASHER 6,4x12,5	

SERIAL

TRANSMISSION CLUTCH

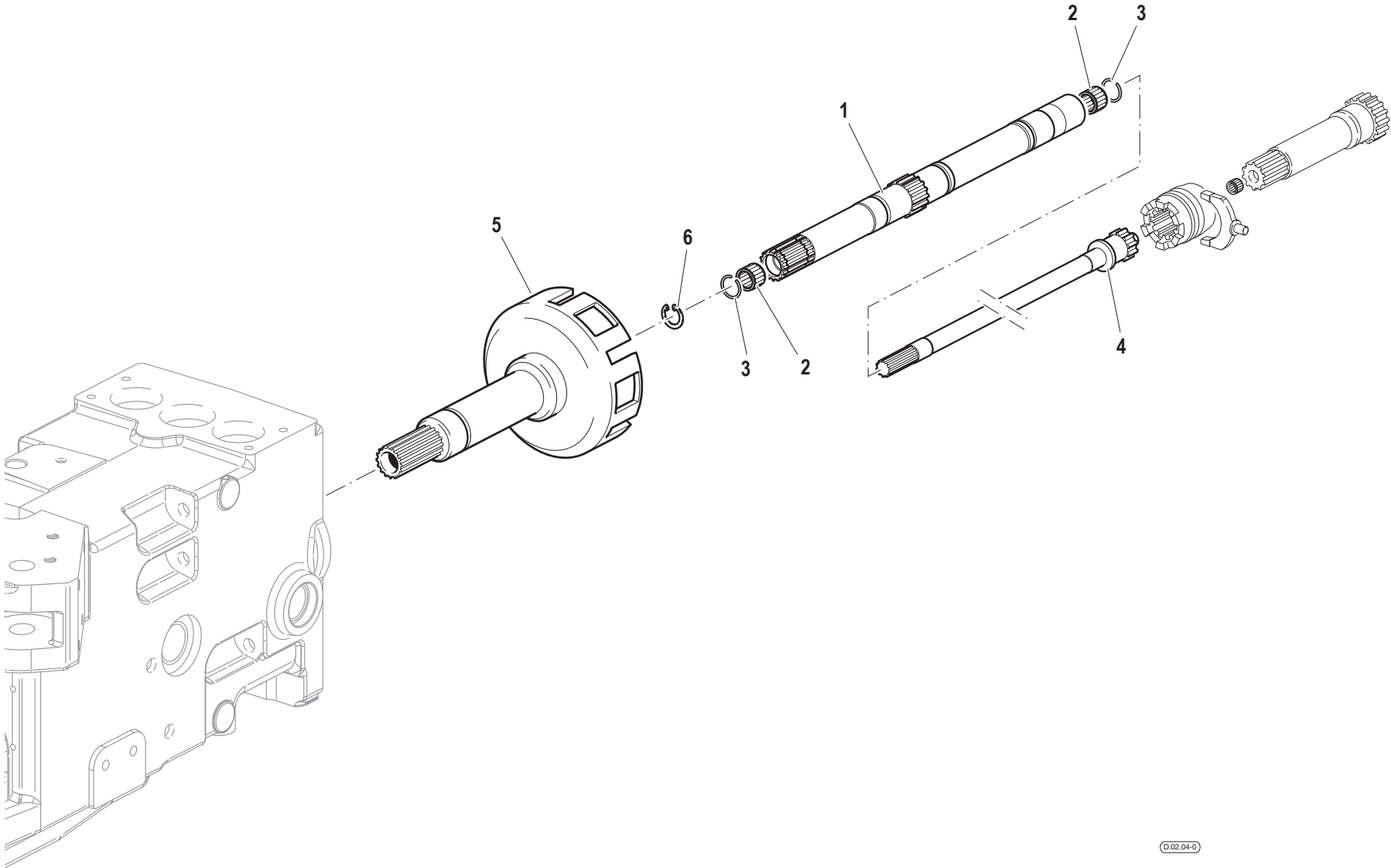
CODE REV

D.02.02_0_68344

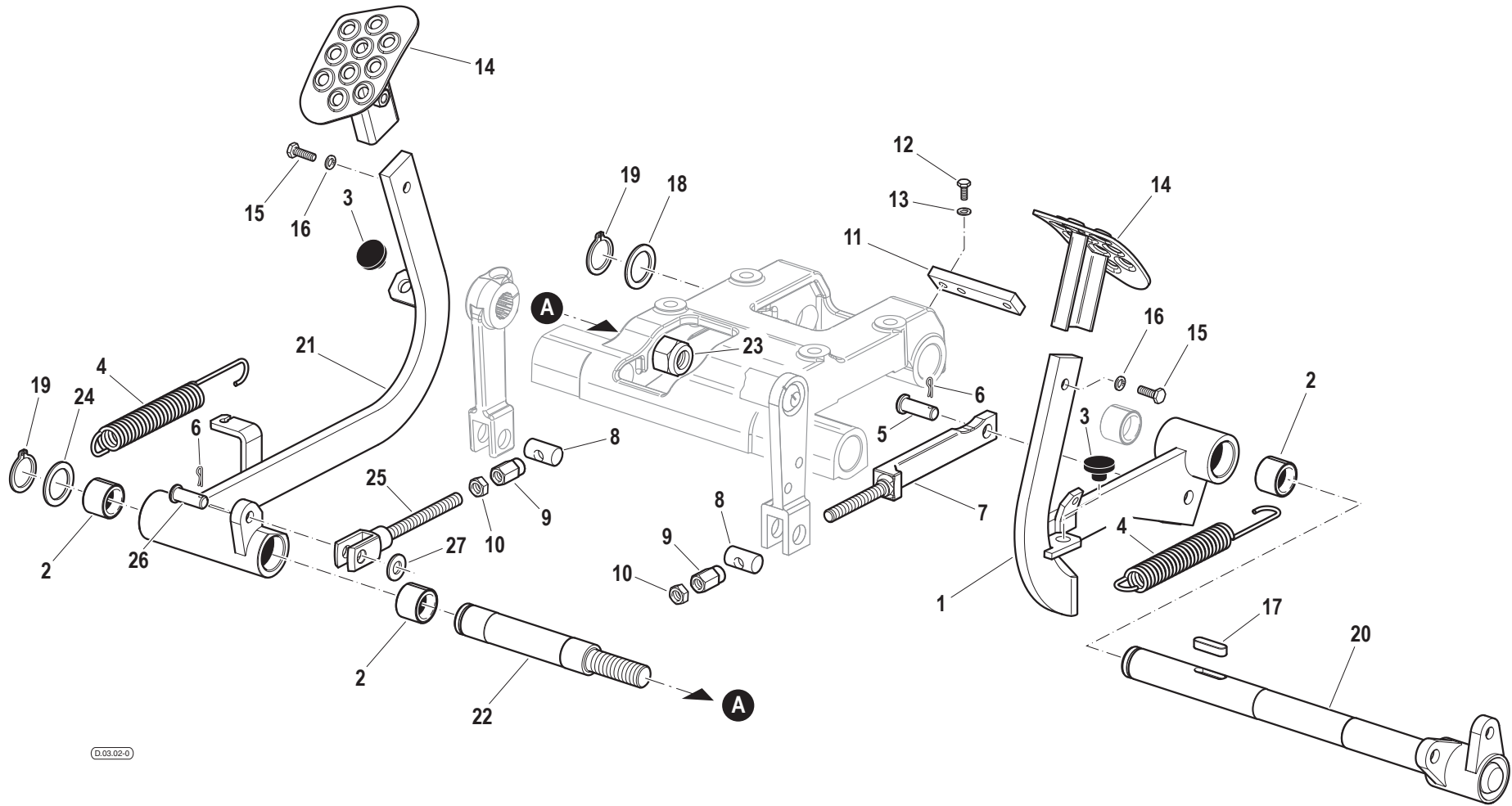


Pos.	Code	Q.ty	Description	Notes
34	58079885	1	CABLE	

CLUTCH/INPUT SHAFT

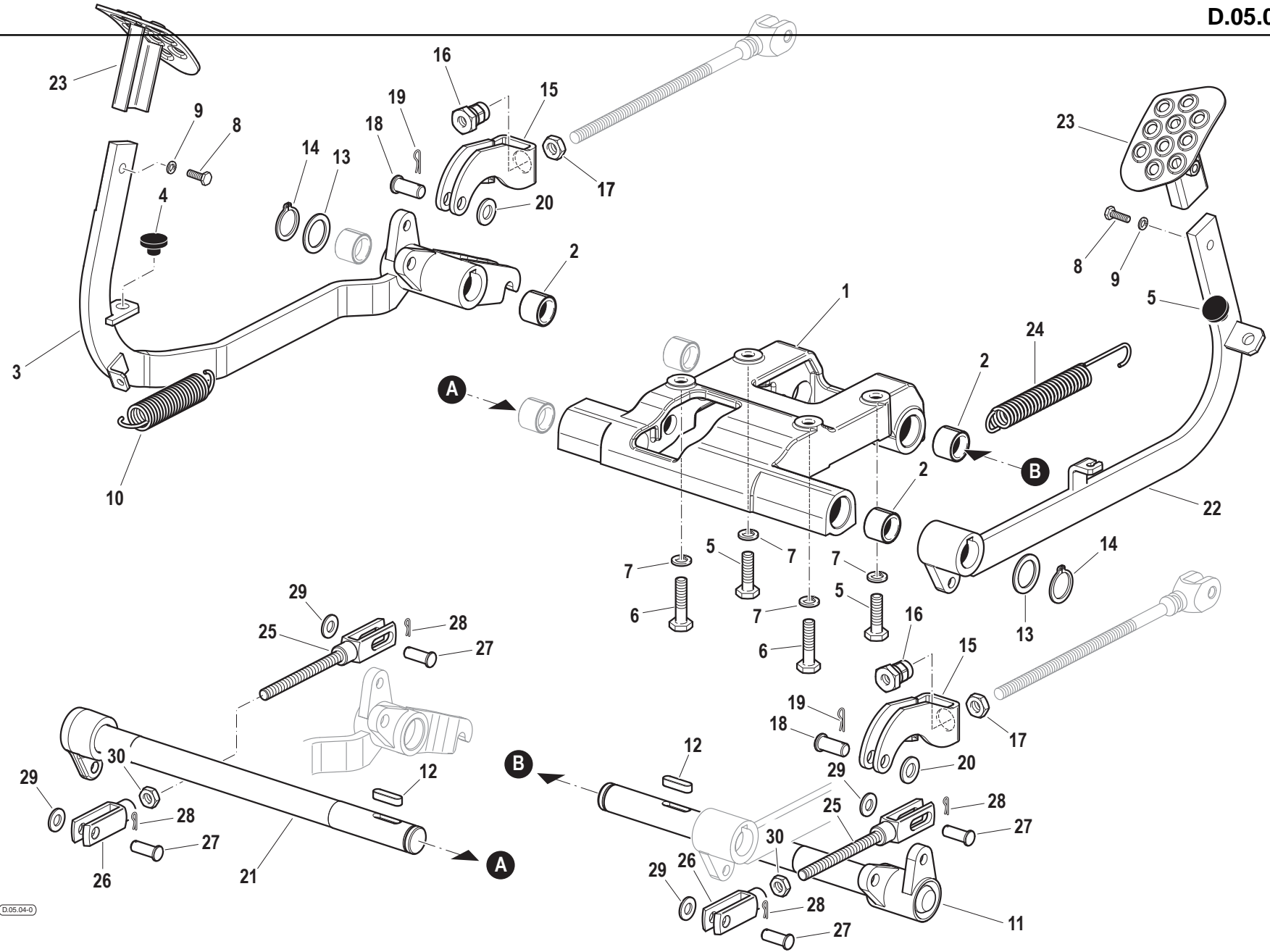


Pos.	Code	Q.ty	Description	Notes
1	52479521	1	TRANSMISSION SHAFT	
2	F0812578050	2	ROLLER CAGE 17x21/13	
3	F0801156050	2	SAFETY RING	
4	56479697	1	SHAFT	
5	59279525	1	CLUTCH HOUSING	
6	35111027	1	SEEGER RING I 27 DIN 472	



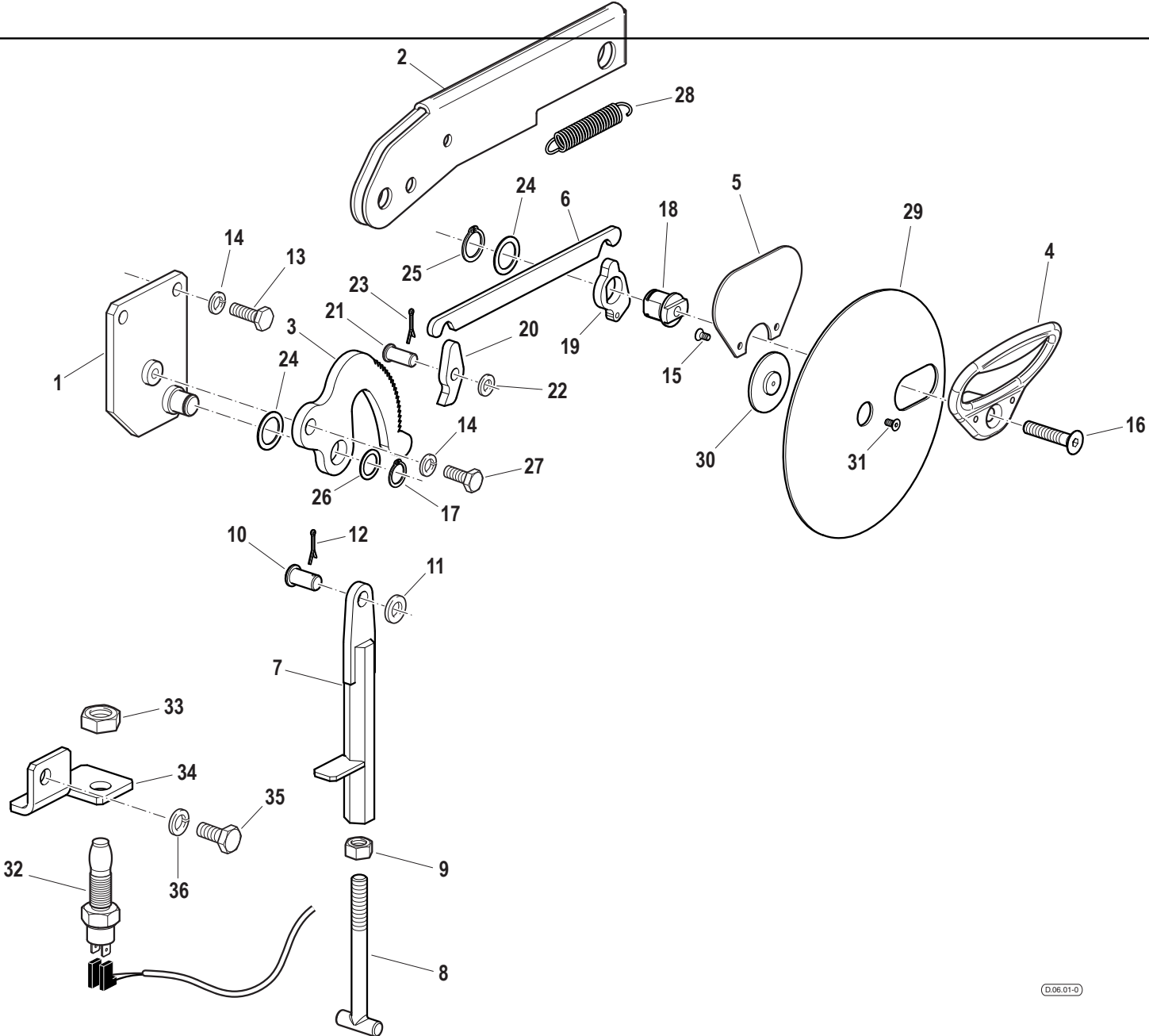
Pos.	Code	Q.ty	Description	Notes
1	59079597	1	PEDAL	
2	58171596	4	BUSHING	
3	F0822537050	2	BUFFER	
4	580A0360	2	RESTORING SPRING	
5	56471813	1	PIN	
6	F0810510000	2	SPLIT PIN A2,0X20 UNI 1336	
7	59071640	1	ROD	
8	56371714	2	PIN	
9	56371715	2	REGISTER	
10	F0814627000	2	NUT M10	
11	56079676	1	PLATE	
12	31112093	2	SCREW TE M6X20 UNI 5739 8G	
13	F0843570000	2	WASHER 6	
14	59079643	2	BRAKE PEDAL	
15	31112146	2	SCREW TE M8X22 UNI 5739 8G	
16	F0843643060	2	WASHER 8	
17	F0806533000	1	KEY 8X7X30 UNI 6604/A	
18	F0844374000	1	WASHER 25,0x35/2	
19	35131026	2	SEEGER RING E 25X2 UNI 7436	
20	59079675	1	SHAFT	
21	59079638	1	CLUTCH PEDAL	
22	56379660	1	PEDAL PIN	
23	31241181	1	SELFLOCK NUT M18x1,5 6S	
24	56349629	1	RING	
25	59079665	1	TIRANTE PEDALE FRIZ.55-65-REV-	
26	56470365	1	PIN	
27	31411105	1	WASHER 10,5x21	

Pos.	Code	Q.ty	Description	Notes
1	58171706	2	BRAKE	
2	58171707	6	BRAKE DISC	
3	56371606	4	PIN	
4	56371605	2	PIN	
5	F0803186000	4	O-RING 123	
6	56371708	2	ROD	
7	56471709	2	PIN	
8	F0810510000	2	SPLIT PIN A2,0X20 UNI 1336	
9	55170047	2	BOOT	
10	56170043	2	COVER	
11	31411130	2	WASHER 13x24	
12	58070366	2	RETAINING SPRING	
13	31231120	4	NUT M12	
14	P45352401000	2	SHIM	



Pos.	Code	Q.ty	Description	Notes
1	511A0116	1	SUPPORT	
2	58171596	4	BUSHING	
3	59079612	1	PEDAL	
4	F0822537050	2	BUFFER	
5	F0863449000	2	SCREW M10X50 UNI 5737	
6	31112215	2	SCREW TE M10X60 UNI 5737	
7	F0843755000	4	WASHER 10	
8	31112146	2	SCREW TE M8X22 UNI 5739 8G	
9	F0843643060	2	WASHER 8	
10	58070373	1	RESTORING SPRING	
11	59079675	1	SHAFT	
12	F0806533000	2	KEY 8X7X30 UNI 6604/A	
13	56349629	2	RING	
14	35131026	2	SEEGER RING E 25X2 UNI 7436	
15	56171787	2	BRACKET	
16	52373177	2	NUT	
17	31231120	2	NUT M12	
18	56470797	2	PIN	
19	F0810510000	2	SPLIT PIN A2,0X20 UNI 1336	
20	31411130	2	WASHER 13x24	
21	59074317	1	DEFLECTION SHAFT	
22	59079632	1	CLUTCH PEDAL	
23	59079643	2	BRAKE PEDAL	
24	580A0360	1	RESTORING SPRING	
25	59073066	2	ROD	
26	F0860091010	2	FORK	
27	56470365	4	PIN	
28	F0810510000	4	SPLIT PIN A2,0X20 UNI 1336	
29	31411105	4	WASHER 10,5x21	
30	F0814632000	2	NUT M10	

PARKING BRAKE



Pos.	Code	Q.ty	Description	Notes
1	59079759	1	LEVER BEARING	
2	59079760	1	HANDBRAKE LEVER	
3	58179860	1	TOOTHED SECTOR	
4	56179770	1	HANDLE	
5	57379771	1	GUARD	
6	56179766	1	PULL ROD	
7	59079772	1	SMALL COLUMN	
8	56379765	1	HANDBRAKE TIE-ROD	
9	F0814627000	1	NUT M10	
10	56479769	1	HINGE PIN	
11	31411105	1	WASHER 10,5x21	
12	F0810510000	1	SPLIT PIN A2,0X20 UNI 1336	
13	31112150	2	SCREW TE M8X20 UNI 5739 8G	
14	F0843643060	3	WASHER 8	
15	31132440	2	SCREW TSVEI M4X10 UNI 5933	
16	31133590	1	SCREW TSVEI M8X35 UNI 5933	
17	F0801095000	1	SEEGER RING E 14 7435	
18	56379764	1	HINGE PIN	
19	56179763	1	BLANKING PLATE	
20	58179859	1	CLEVIS	
21	56479768	1	PIN	
22	31411064	1	WASHER 6,4x12,5	
23	34110021	1	SPLIT PIN	
24	31400300	2	SHIM PS 19x26/1 DIN 988	
25	35121018	1	SEEGER RING E 18 DIN 471	
26	31400302	1	SHIM PS 15x22/1 DIN 988	
27	31112147	1	SCREW TE M8X18 UNI 5739 8G	
28	58073227	1	SPRING	
29	573A0371	1	DISC	
30	560A0372	1	SHIM	
31	31132440	1	SCREW TSVEI M4X10 UNI 5933	
32	58173230	1	PUSH-BUTTON	
33	F0814744050	1	NUT M14X1,5	
34	56179767	1	FIXING BRACKET	

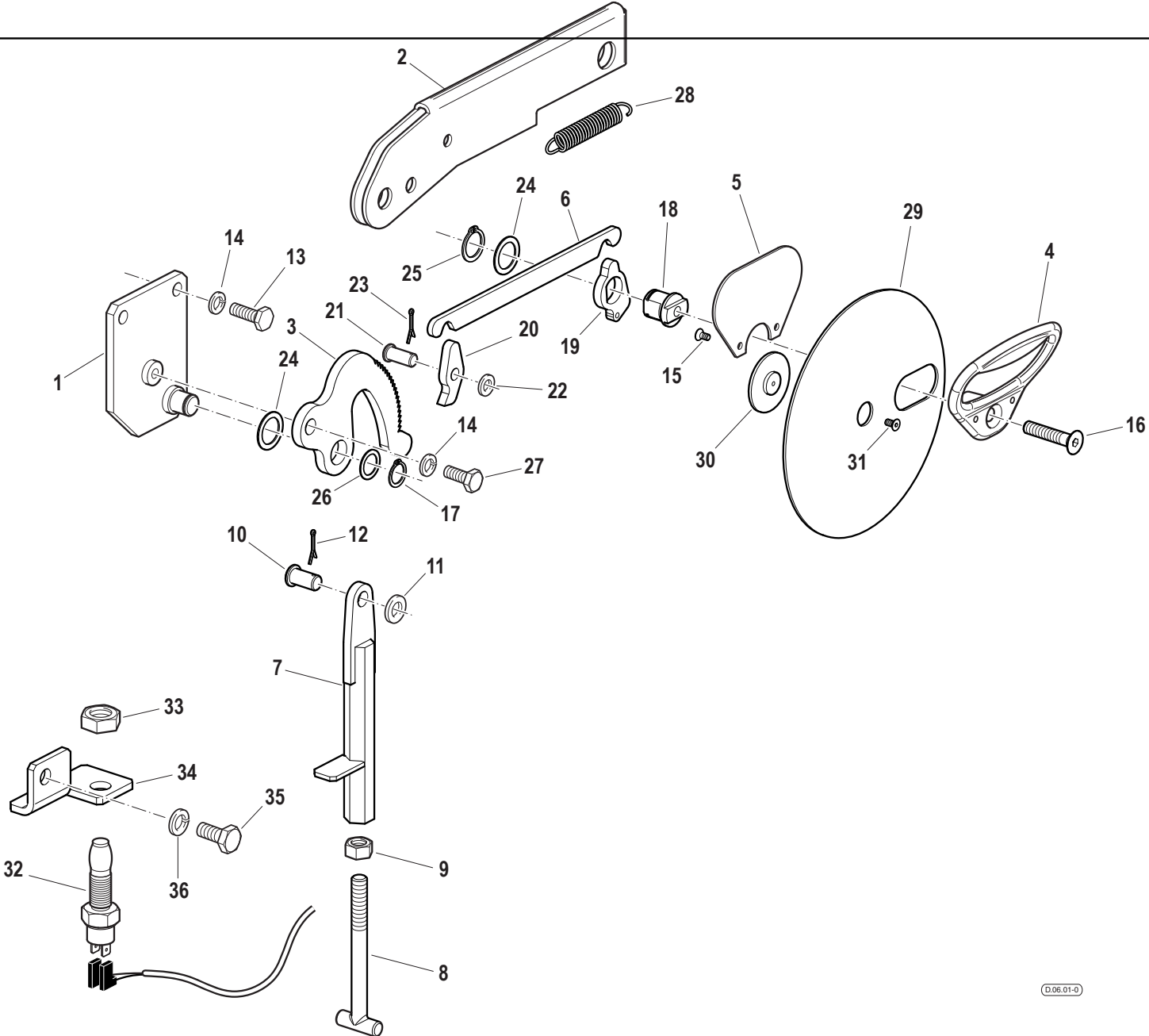
SERIAL

PARKING BRAKE

CODE REV

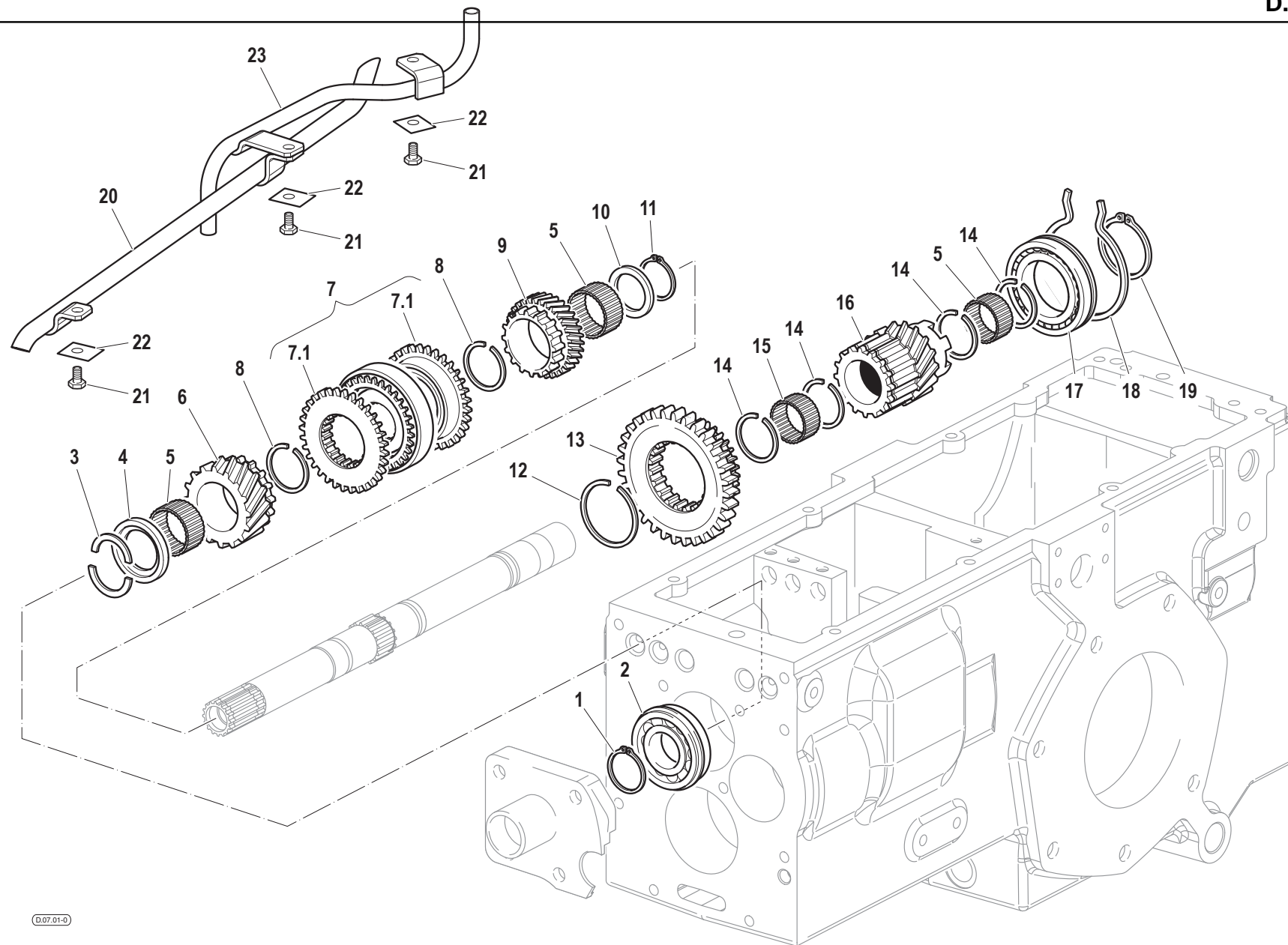
D.06.01_0_69050

PARKING BRAKE



Pos.	Code	Q.ty	Description	Notes
35	31112208	1	SCREW TE M10X16 UNI 5739	
36	F0843755000	1	WASHER 10	

INPUT SHAFT GEARS



Pos.	Code	Q.ty	Description	Notes
1	F0801241010	1	SEEGER RING E 30 UNI 7436	
2	F0812750000	1	BEARING 6206-NR (30X62/16)	
3	56371440	2	HALF RING	
4	56471441	1	SHIM	
5	F0812737000	3	ROLLER CAGE K 30X35/27	
6	52479154	1	SPEED GEAR	
7	58179928	1	LOCK SYNCHRONIZER	
7.1	52475921	2	RING	
8	F0801266050	2	SAFETY RING	
9	52479155	1	SPEED GEAR	
10	56471654	1	SHIM	
11	35121030	1	SEEGER RING E 30 DIN 471	
12	F0801346200	4	SAFETY RING	
13	52479156	1	SLIDING GEAR	
14	F0801266000	4	SAFETY RING	
15	F0812736010	1	ROLLER CAGE K 30X35/20 H	
16	52479158	1	CONDUCTOR GEAR	
17	50974166	1	BEARING	
18	58073788	1	SEEGER RING	
19	F0801331050	1	SEEGER RING E 45 UNI 7436	
20	59079728	1	TUBO LUBR.INVER.SINCR(A2346) *	
21	31112082	3	SCREW TE M6X12 UNI 5739 8G	
22	31450060	3	SMALL PLATE	
23	590A0756	1	TUBO SFIATO 55-65	

Pos.	Code	Q.ty	Description	Notes
1	56371652	1	NUT	
2	581A0460	2	BEARING	
3	58024193	1	SHIM	
3	58024194	1	SHIM	
3	58024195	1	SHIM	
3	58024196	1	SHIM	
3	58074109	1	SHIM	
4	56471655	1	BUSHING	
5	58173790	1	BEARING	
6	52473789	1	THRUST PLATE	
6	52473812	1	THRUST PLATE	
6	52473813	1	THRUST PLATE	
7	52479163	1	DRIVEN GEAR	
8	58179262	1	ROLLER BEARING (4x19,8)	
9	F0801280100	1	SAFETY RING	
10	58175937	1	LOCK SYNCHRONIZER	
11	58072505	1	SHOULDERED WASHER	
12	52479164	1	DRIVEN GEAR	
13	F0812918050	1	ROLLER CAGE K 42X47/17	
14	F0812686100	1	ROLLER CAGE K 25X30X24 H	
15	52479162	1	DOUBLE GEAR	
16	F0812732080	1	ROLLER CAGE 27X34/17 H	
17	52473796	1	THRUST PLATE	
18	58173797	1	BEARING	
19	52473721	1	SLEEVE	
20	52471459	1	SLIDING SLEEVE	
21	F0812871030	2	ROLLER CAGE K 37X42/17	
22	56271457	1	SPACER	
23	52479160	1	DOUBLE GEAR	
24	56471461	1	BUSHING	
25	52479157	1	SPEED GEAR	
26	56371661	1	ADJUSTING RING	
26	56371662	1	ADJUSTING RING	
26	56371663	1	ADJUSTING RING	

SERIAL

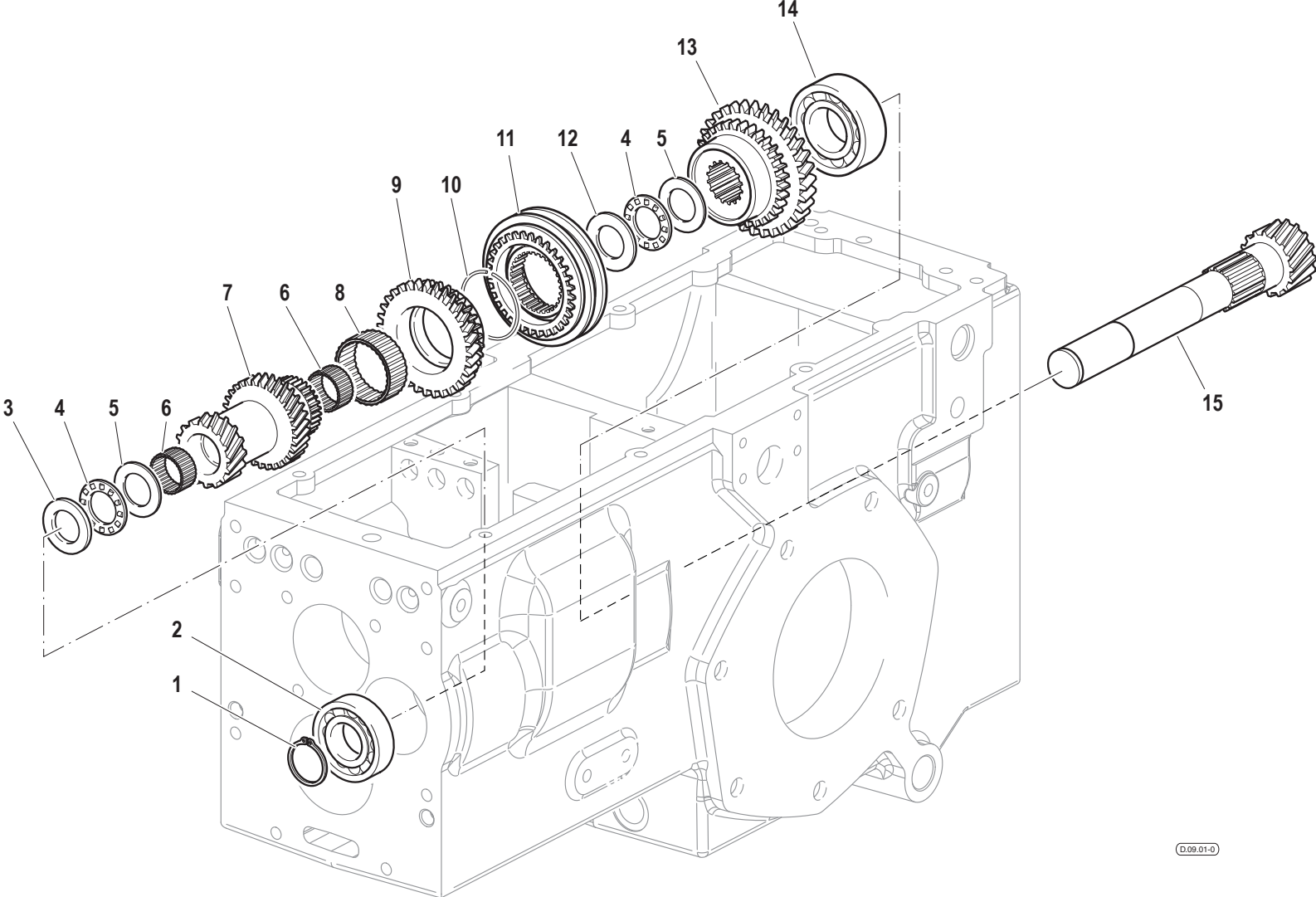
SECONDARY SHAFT GEARS

CODE REV

D.08.01_0_68685

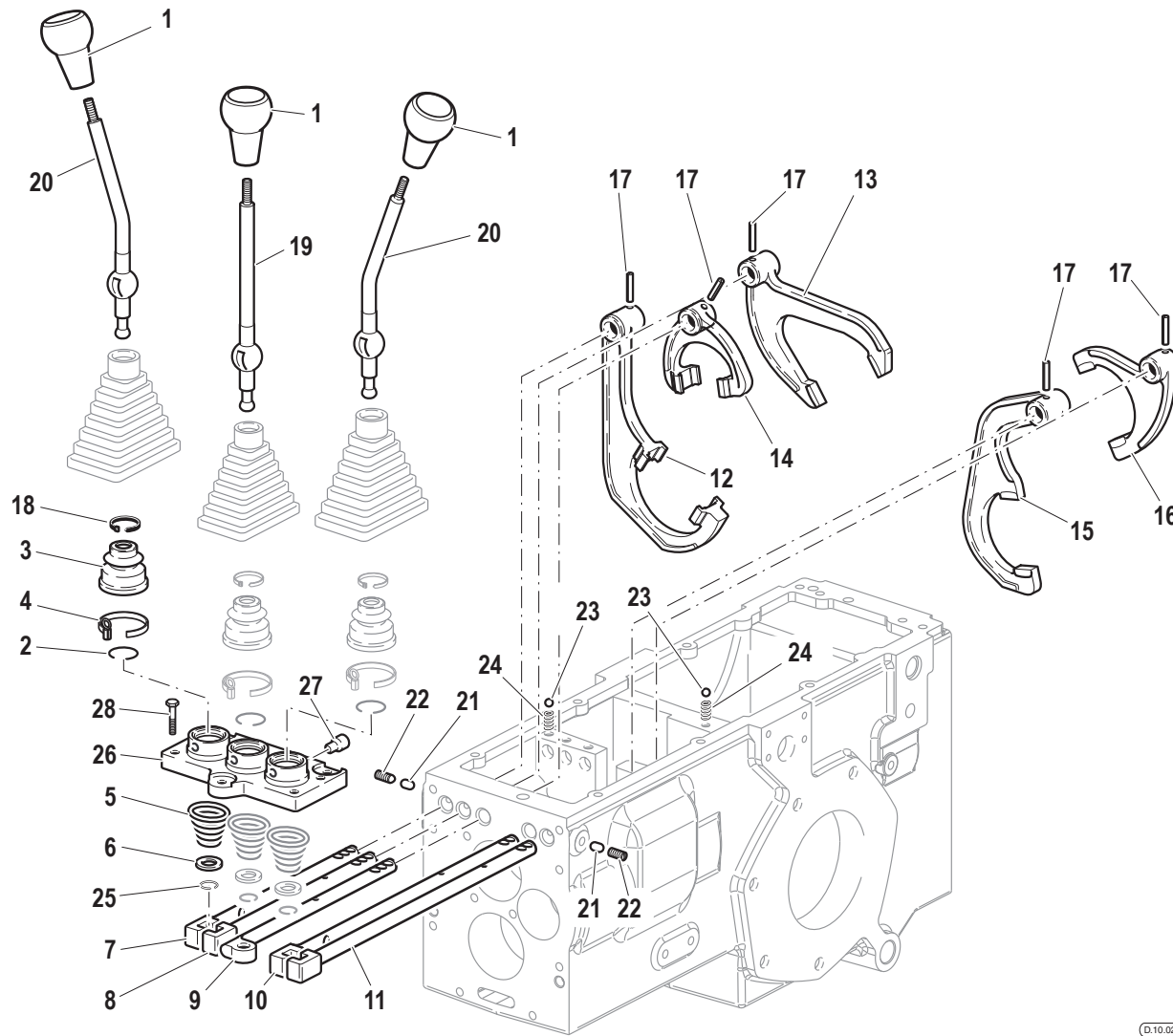
Pos.	Code	Q.ty	Description	Notes
26	56371664	1	ADJUSTING RING	
26	56373440	1	ADJUSTING RING	

COUNTERSHAFT AND CORRESPONDING GEARS



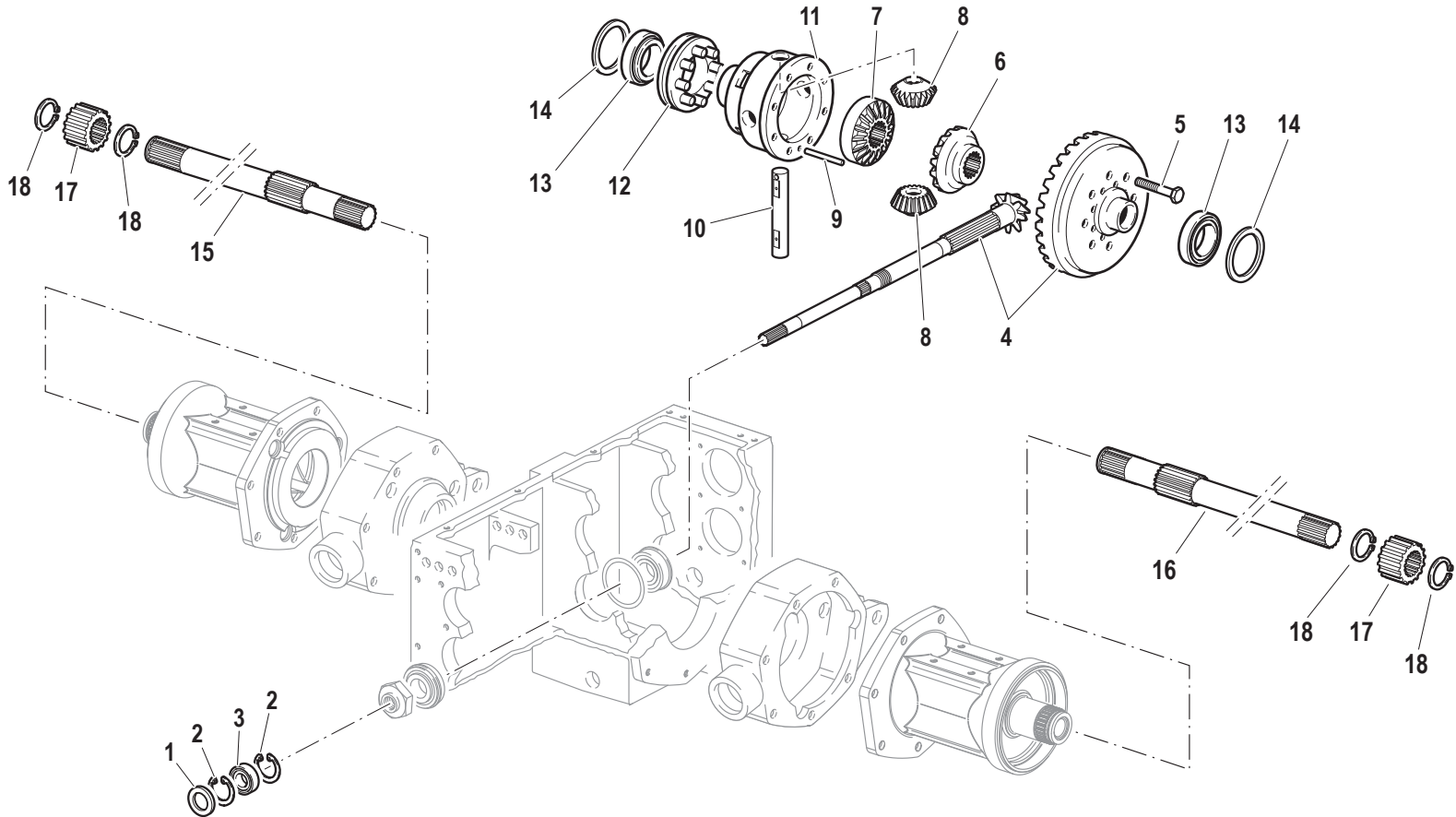
Pos.	Code	Q.ty	Description	Notes
1	35131026	1	SEEGER RING E 25X2 UNI 7436	
2	37120100	1	BEARING	
3	52473791	1	THRUST PLATE	
3	52473815	1	THRUST PLATE	
3	52474239	1	THRUST PLATE	
3	52477987	1	THRUST PLATE	
4	58173790	1	BEARING	
5	58173792	1	THRUST PLATE	
6	F0812689000	2	ROLLER CAGE K 25X30/20 H	
7	52479153	1	CONDUCTOR GEAR	
8	F0812918050	1	ROLLER CAGE K 42X47/17	
9	52479165	1	CONDUCTOR GEAR	
10	58072505	1	SHOULDERED WASHER	
11	58172571	1	LOCK SYNCHRONIZER	
12	52477986	1	THRUST PLATE	
13	52479161	1	CONDUCTOR GEAR	
14	37120000	1	BEARING	
15	52479152	1	DRIVE SHAFT	

CHANGE GEAR CONTROLS



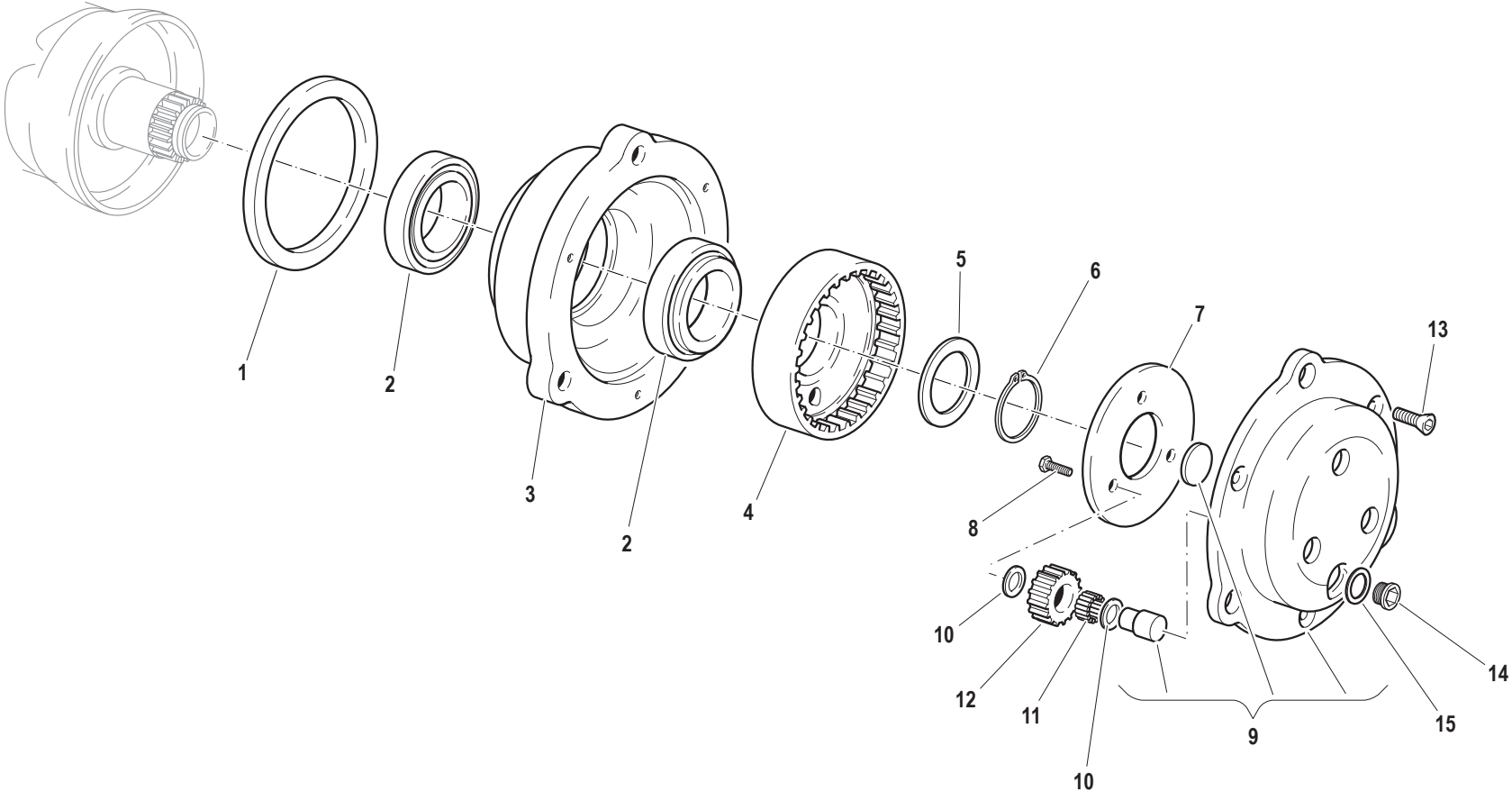
Pos.	Code	Q.ty	Description	Notes
1	58174192	3	HANDLE	
2	58070169	3	LOCKRING	
3	55170053	3	CAP	
4	58170054	3	COLLAR	
5	58070164	3	SPRING	
6	56370172	3	SPACER	
7	56379287	1	PULL ROD	
8	56379290	1	PULL ROD	
9	56379286	1	PULL ROD	
10	56379289	1	PULL ROD	
11	56379288	1	PULL ROD	
12	52275923	1	SELECTOR FORK	
13	52373240	1	SELECTOR FORK	
14	52275924	1	SELECTOR FORK	
15	51272405	1	SELECTOR FORK	
16	51279318	1	GEAR FORK	
17	F0851180000	5	PIN 5X26 DIN 1481 CL:C72	
18	F0817640003	3	CLAMP 4,8x180	
19	52374182	1	COMMAND LEVER	
20	523A0340	2	COMMAND LEVER	
21	56571697	2	TOGGLE	
22	F0863183000	2	SCREW M10X16 UNI 5923	
23	F0847434000	5	BALL	
24	58070741	5	SPRING	
25	58070168	3	LOCKRING	
26	51171621	1	COVER	
27	56370018	6	HINGE PIN	
28	F0862694000	4	SCREW M8X170 UNI 5737	

REAR TRANSMISSION



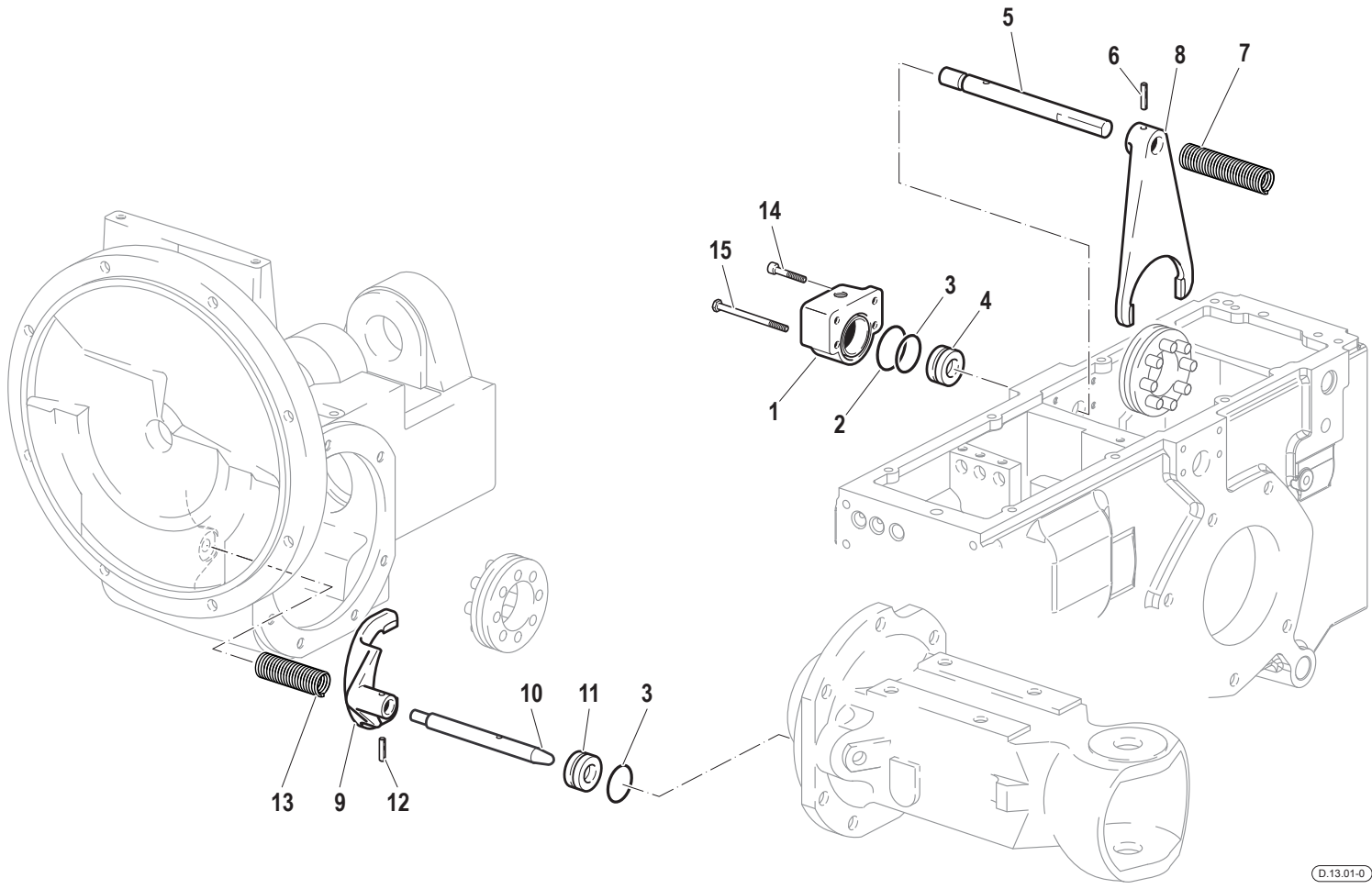
Pos.	Code	Q.ty	Description	Notes
1	38212006	1	OIL SEAL 20x42/7	
2	35111042	2	SEEGER RING I 42 DIN 472	
3	F0812631000	1	BEARING 6004 (20X42/12)	
4	59379580	1	BEVEL GEAR	
5	F0863267050	8	SCREW M10x25	
6	52471513	1	CROWN WHEEL	
7	52471516	1	CROWN WHEEL	
8	52471509	2	PLANETARY GEAR	
9	56371994	1	PIN	
10	56471508	1	PIN	
11	51374866	1	HOUSING	
12	59071518	1	SLEEVE	
13	F0812895000	2	BEARING 32008 (40X68X19)	
14	56371582	1	RING	
14	56371583	1	RING	
14	56371584	1	RING	
14	56371585	1	RING	
14	56371586	1	RING	
15	52572606	1	REAR AXLE SHAFT	
16	52572605	1	REAR AXLE SHAFT	
17	52473922	2	CROWN WHEEL	
18	F0801175050	4	SEEGER RING E 24X1,75 UNI 7436	

LATERAL REDUCTION GEARS

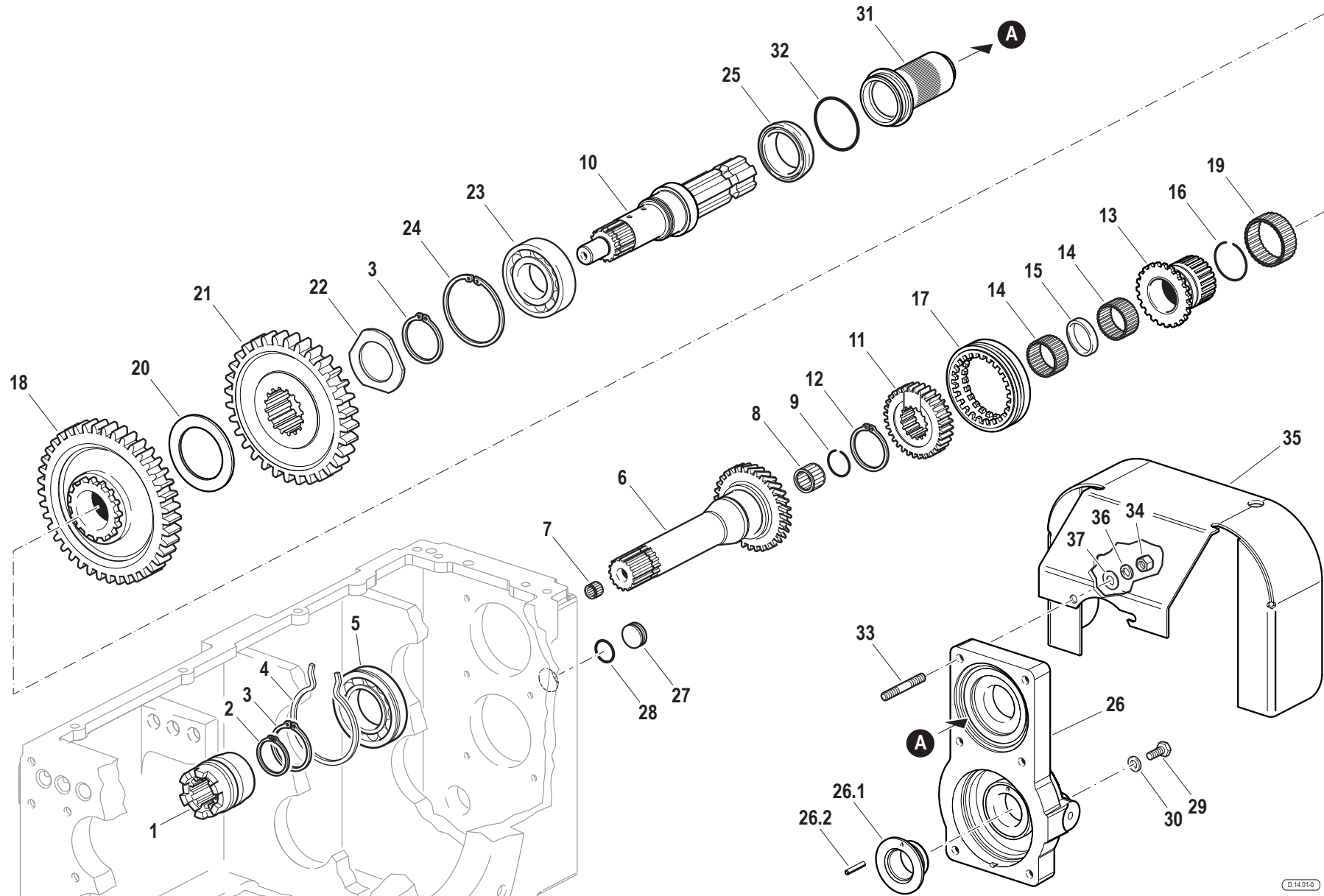


Pos.	Code	Q.ty	Description	Notes
1	F0802700150	2	SEAL 125x150x12	
2	F0812973000	4	BEARING 32011X	
3	51172508	2	HUB	
4	52473920	2	CROWN WHEEL	
5	56371575	1	SHIM	
5	56371576	1	SHIM	
5	56371577	1	SHIM	
5	56371578	1	SHIM	
5	56371579	1	SHIM	
5	56373349	1	SHIM	
5	56373350	1	SHIM	
6	F0801346000	2	SEEGER RING E 48 UNI 7436	
7	56173919	2	ADJUSTING RING	
8	F0862090000	6	SCREW M6X16 8.8	
9	59273944	2	COVER	
10	58171567	12	SHIM	
11	58171653	120	ROLLER	
12	52473921	6	PLANETARY GEAR	
13	F0862655000	6	SCREW M8X25-5933	
14	56370081	2	PLUG	
15	F0844273090	2	GASKET 22X28X1,5 CU 99,5	

DIFFERENTIAL GEAR LOCK



Pos.	Code	Q.ty	Description	Notes
1	52378576	1	LOCKING MECHANISM	
2	F0803209000	1	O-RING 3156	
3	58170195	1	GASKET	
4	56370187	1	PISTON	
5	56371646	1	LOCKING DEVICE	
6	F0851267050	1	PIN 6X30 DIN 7343 CL:C72	
7	58070198	1	SPRING	
8	51271647	1	FORK	
9	51271615	1	FORK	
10	56371613	1	LOCKING DEVICE	
11	56370583	1	PISTON	
12	F0851260000	1	PIN 6X24 DIN 1481	
13	58070205	1	SPRING	
14	31152085	2	SCREW TCEI M8X25 UNI 5931	
15	31112161	2	SCREW TE M8X50 UNI 5737 8G	



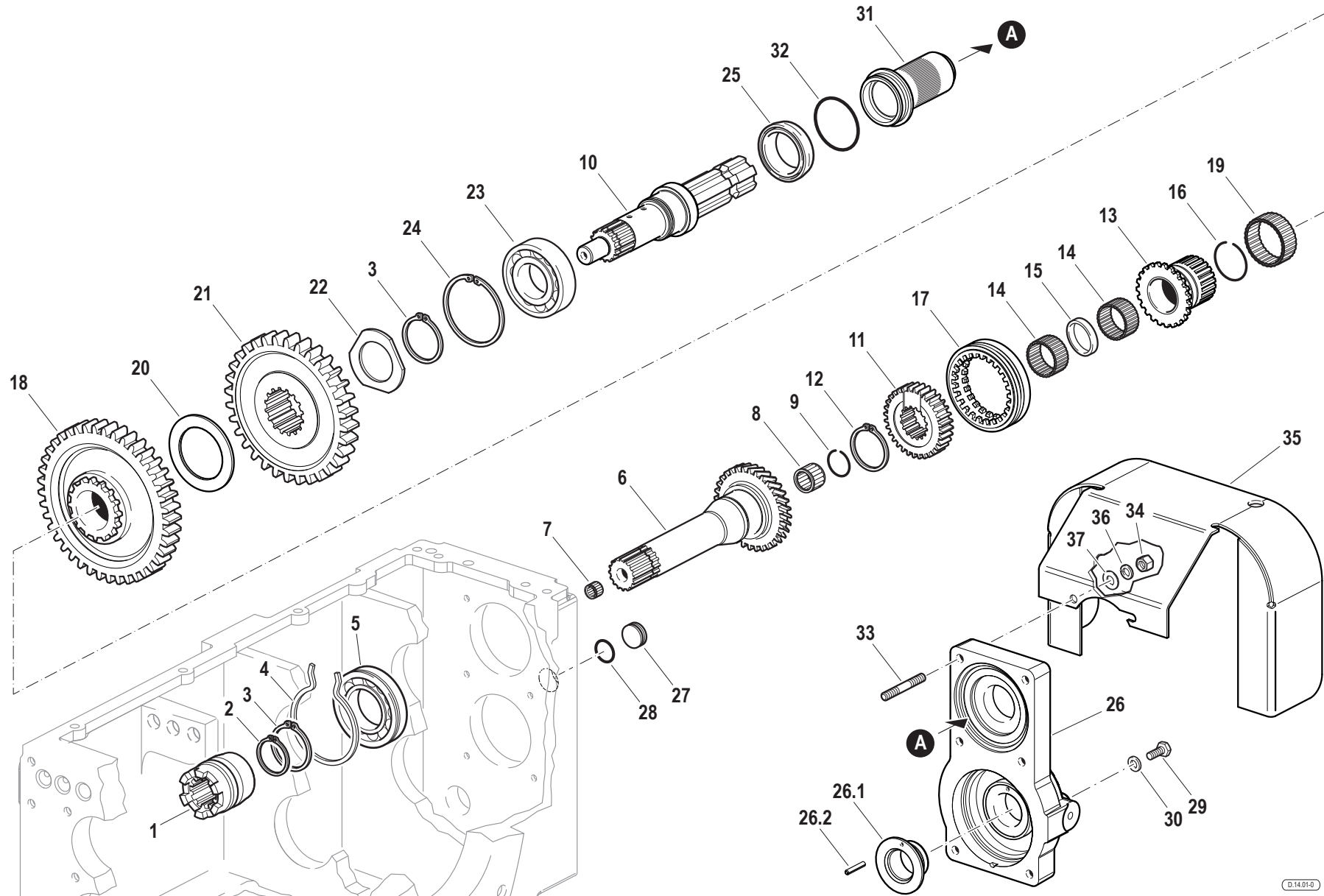
Pos.	Code	Q.ty	Description	Notes
1	52474190	1	GEAR SLEEVE	
2	35121030	1	SEEGER RING E 30 DIN 471	
3	35121040	2	SEEGER RING E 40 DIN 471	
4	58179237	1	SEEGER RING	
5	F0812899000	1	BEARING 6208-NR	
6	52479220	1	PTO SHAFT	
7	F0812525100	1	BUSHING HK1210-B	
8	F0812599090	1	ROLLER CAGE K 18x24/20	
9	F0801175500	1	SAFETY RING	
10	52479225	1	PTO SHAFT	
11	52479223	1	FIX SLEEVE	
12	F0801244080	1	SEEGER RING E 32X2 UNI 7436	
13	52479222	1	GEAR SLEEVE	
14	37321317	2	ROLLER CAGE	
15	56379267	1	SPACER	
16	37931413	1	SAFETY RING	
17	52479233	1	SHIFTING CLAW	
18	52479234	1	DRIVEN GEAR	
19	F0812951200	1	ROLLER CAGE K 50X55/20 H	
20	56475568	1	SHIM	
21	52479235	1	DRIVEN GEAR	
22	56479240	1	THRUST PLATE	
23	37111404	1	BEARING	
24	35111080	1	SEEGER RING I 80 DIN 472	
25	F0802228005	1	SEAL 48x65/10	
26	59379041	1	COVER	
26.1	56475434	1	BUSHING	
26.2	F0851127000	1	PIN 4X12 DIN 1481 CL:C72	
27	56074313	1	PLUG	
28	F0803199010	1	O-RING 132 (23,81X2,62)	
29	F0862448100	1	SCREW M8X10 UNI 5740	
30	F0843641000	1	COPPER WASHER 8x14/1,5	
31	P47033000000	1	GUARD	
32	P47043300000	1	PROTECTIVE RING	

SERIAL

PTO GEARS

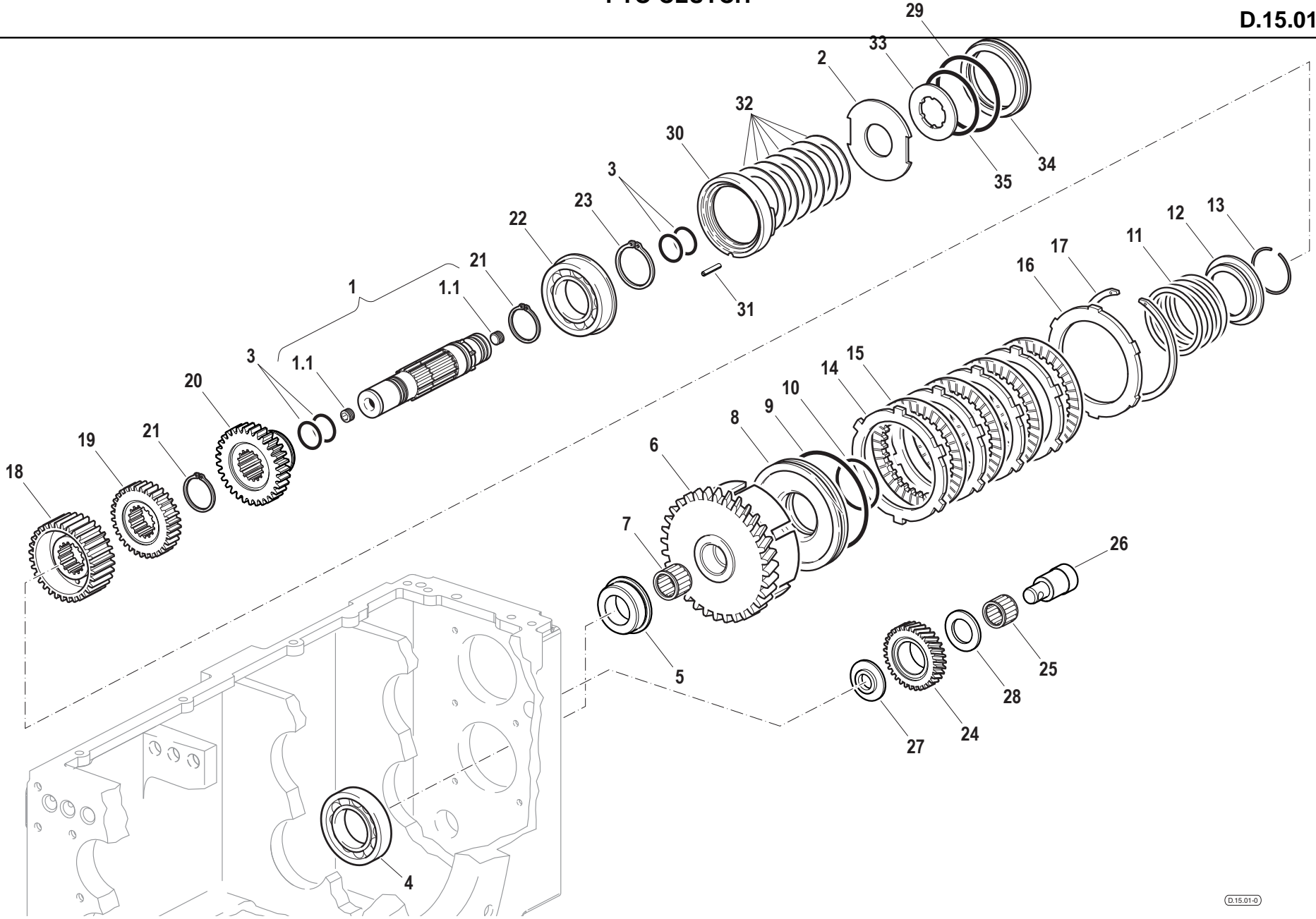
CODE REV

D.14.01_0_68864



Pos.	Code	Q.ty	Description	Notes
33	31312089	6	STUD BOLT M8x52x14x18	
34	31211080	6	NUT M8	
35	560A0221	1	P.T.O. PROTECTION	
36	F0843643060	1	WASHER 8	
37	31411084	1	WASHER 8,4x17	

PTO CLUTCH



Pos.	Code	Q.ty	Description	Notes
1	592A1250	1	SHAFT	
1.1	F0852578060	2	CONICAL PLUG	
2	56473890	1	BRAKE DISC	
2	56474713	1	BRAKE DISC	
2	56474714	1	BRAKE DISC	
2	56475517	1	BRAKE DISC	
2	56475518	1	CLUTCH DISC	
3	58072398	4	SEAL	
4	37112503	1	BEARING	
5	56479239	1	BUSHING	
6	592A3357	1	CAMPANA FRIZIONE PDF COMPLETA	
7	F0812736010	1	ROLLER CAGE K 30X35/20 H	
8	53279226	1	PISTON	
9	58172400	1	GASKET	
10	58172402	1	GASKET	
11	58074092	1	RESTORING SPRING	
12	56372282	1	RING	
13	58072399	1	SAFETY RING	
14	58172448	4	DISC	
15	58172447	4	DISC	
16	52372292	1	RING	
17	58072389	1	CIRCLIP	
18	52579229	1	DISC HUB	
19	52479231	1	CONDUCTOR GEAR	
20	52479232	1	CONDUCTOR GEAR	
21	F0801264050	2	SEEGER RING E 35X2,5 U/7436	
22	37111461	1	BEARING	
23	F0801331000	1	SEEGER RING E 45 UNI 7435	
24	52479236	1	PTO GEAR	
25	F0812689050	1	ROLLER CAGE K 25X33/20	
26	52479238	1	GEAR PIN	
27	56479241	1	THRUST PLATE	
28	56479242	1	THRUST PLATE	
29	38118720	1	O-RING	

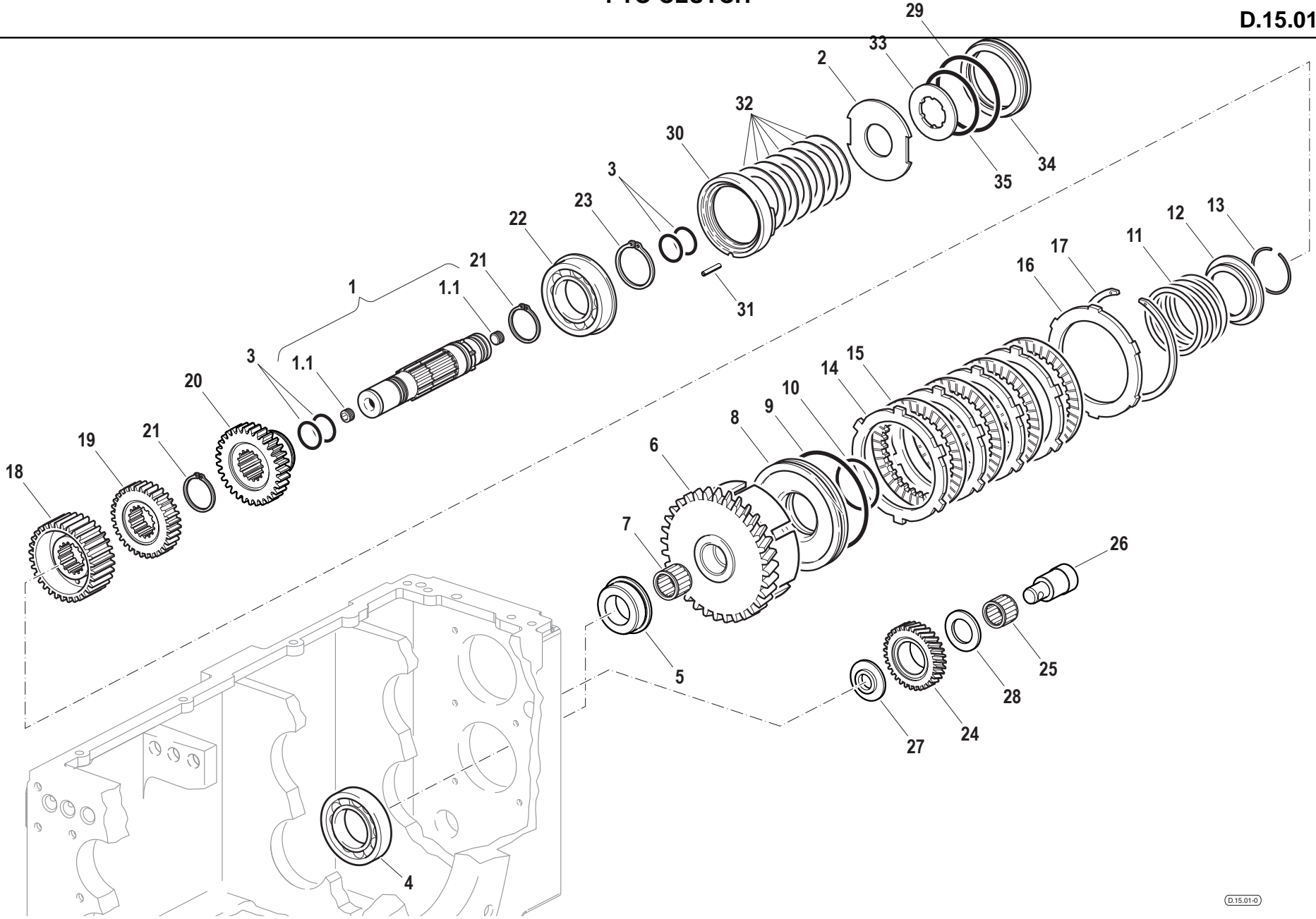
SERIAL

PTO CLUTCH

CODE REV

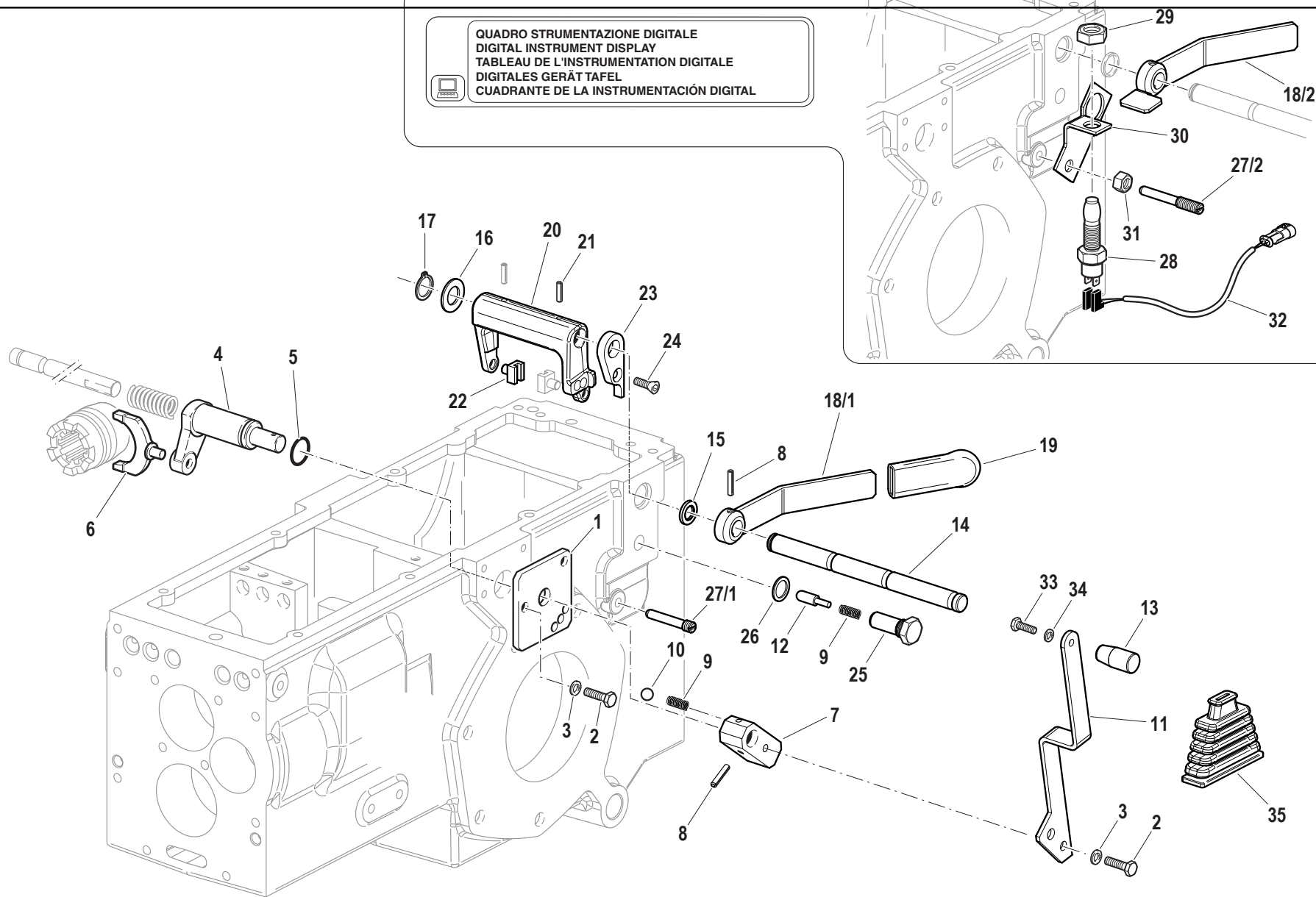
D.15.01_0_68904

PTO CLUTCH



Pos.	Code	Q.ty	Description	Notes
30	56479039	1	SPACER	
31	F0851226000	1	PIN 6X12 UNI 1707 CL:C20	
32	58075515	6	SPRING	
33	56475844	1	CLUTCH DISC	
34	53273891	1	PISTON	
35	38116317	1	RING	

QUADRO STRUMENTAZIONE DIGITALE
 DIGITAL INSTRUMENT DISPLAY
 TABLEAU DE L'INSTRUMENTATION DIGITALE
 DIGITALES GERÄT TAFEL
 CUADRANTE DE LA INSTRUMENTACIÓN DIGITAL



Pos.	Code	Q.ty	Description	Notes
1	59072754	1	PLATE	
2	31112150	3	SCREW TE M8X20 UNI 5739 8G	
3	F0843643060	3	WASHER 8	
4	52371679	1	LEVER	
5	38112200	1	O-RING 3087 (22,00X2,62)	
6	52472430	1	SELECTOR FORK	
7	561A0430	1	SMALL BLOCK	
8	34211054	2	ROLL PIN	
9	58070741	2	SPRING	
10	F0847434000	1	BALL	
11	590A0427	1	COMMAND LEVER	
12	56379323	1	TOGGLE	
13	58177240	1	GRIP	
14	56379325	1	ROD	
15	38211601	2	OIL SEAL BA 16x24x4	
16	31411170	1	WASHER 17x30	
17	F0801116050	1	SEEGER RING E 16 UNI 7436	
18/1	59079324	1	PTO LEVER	
18/2	590A0329	1	PTO LEVER	
19	F0828468050	1	GRIP	
20	59079319	1	SELECTOR FORK	
21	34213054	2	ROLL PIN	
22	52479321	2	SHOE	
23	56179322	1	BRACKET	
24	31132562	1	SCREW TSVEI M6X16 UNI 5933	
25	56379320	1	CASING	
26	F0844030070	1	COPPER WASHER 16,0x22/1,5	
27/1	56379266	1	VITE M10x1,5/55 C40BON.ZNT/B *	
27/2	563A0095	1	VITE M10x1,5/72 C40BON.ZNT/B	
28	58173230	1	PUSH-BUTTON	
29	F0814744050	1	NUT M14X1,5	
30	590A0101	1	BRACKET	
31	31212100	1	NUT M10	
32	580A0482	1	CABLE	

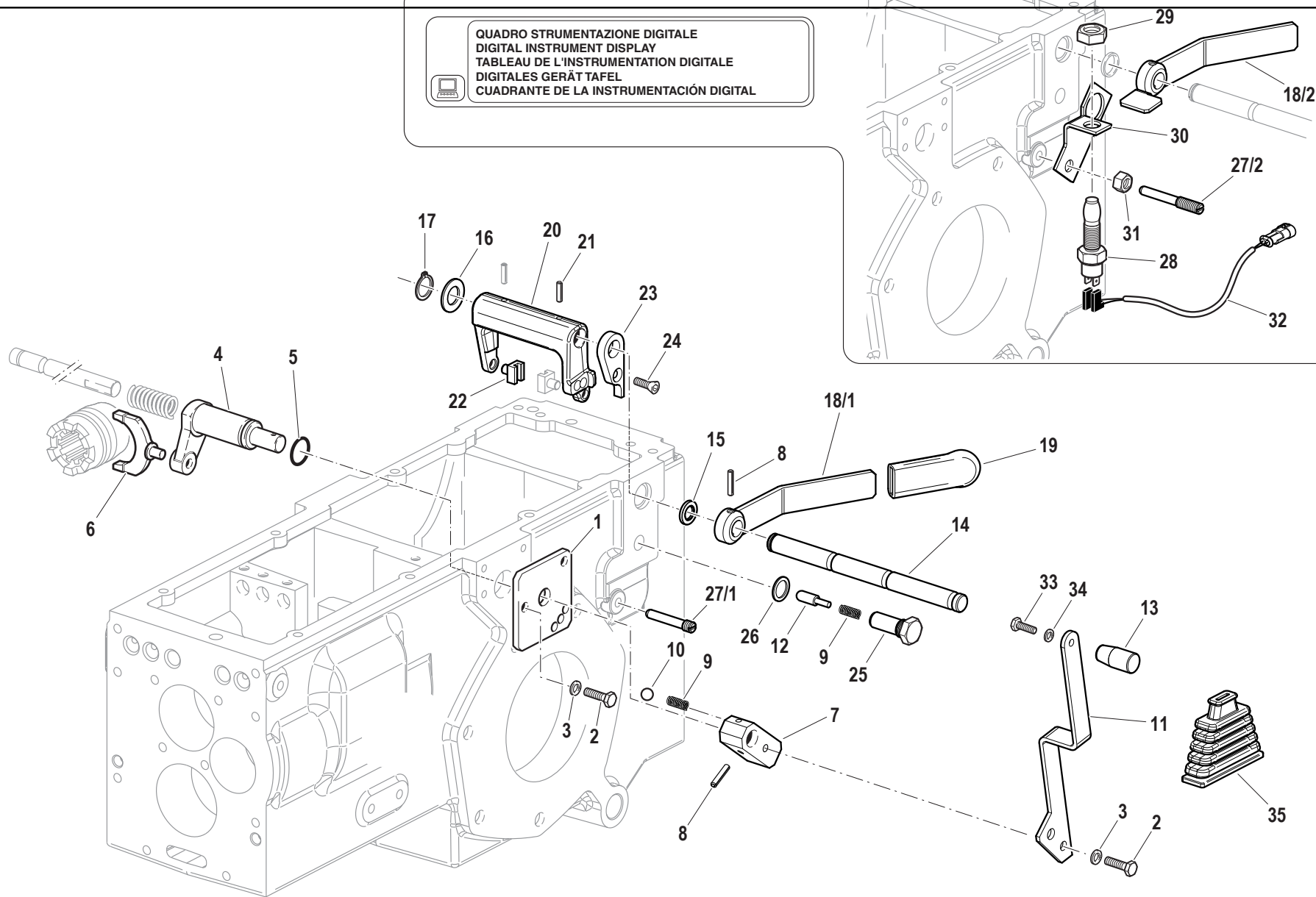
SERIAL

POWER TAKE-OFF CONTROLS

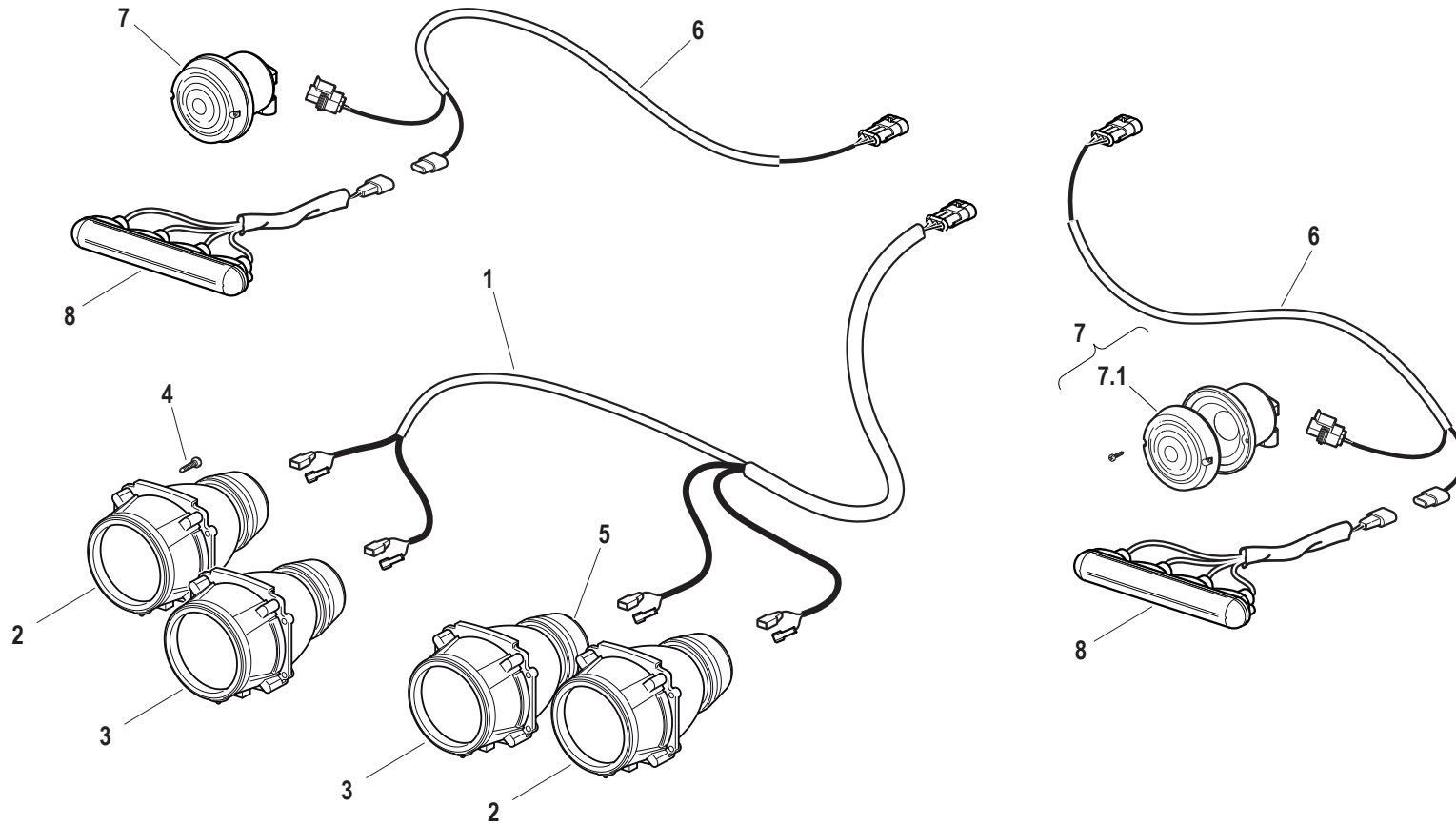
CODE REV

D.16.02_0_68980

QUADRO STRUMENTAZIONE DIGITALE
 DIGITAL INSTRUMENT DISPLAY
 TABLEAU DE L'INSTRUMENTATION DIGITALE
 DIGITALES GERÄT TAFEL
 CUADRANTE DE LA INSTRUMENTACIÓN DIGITAL

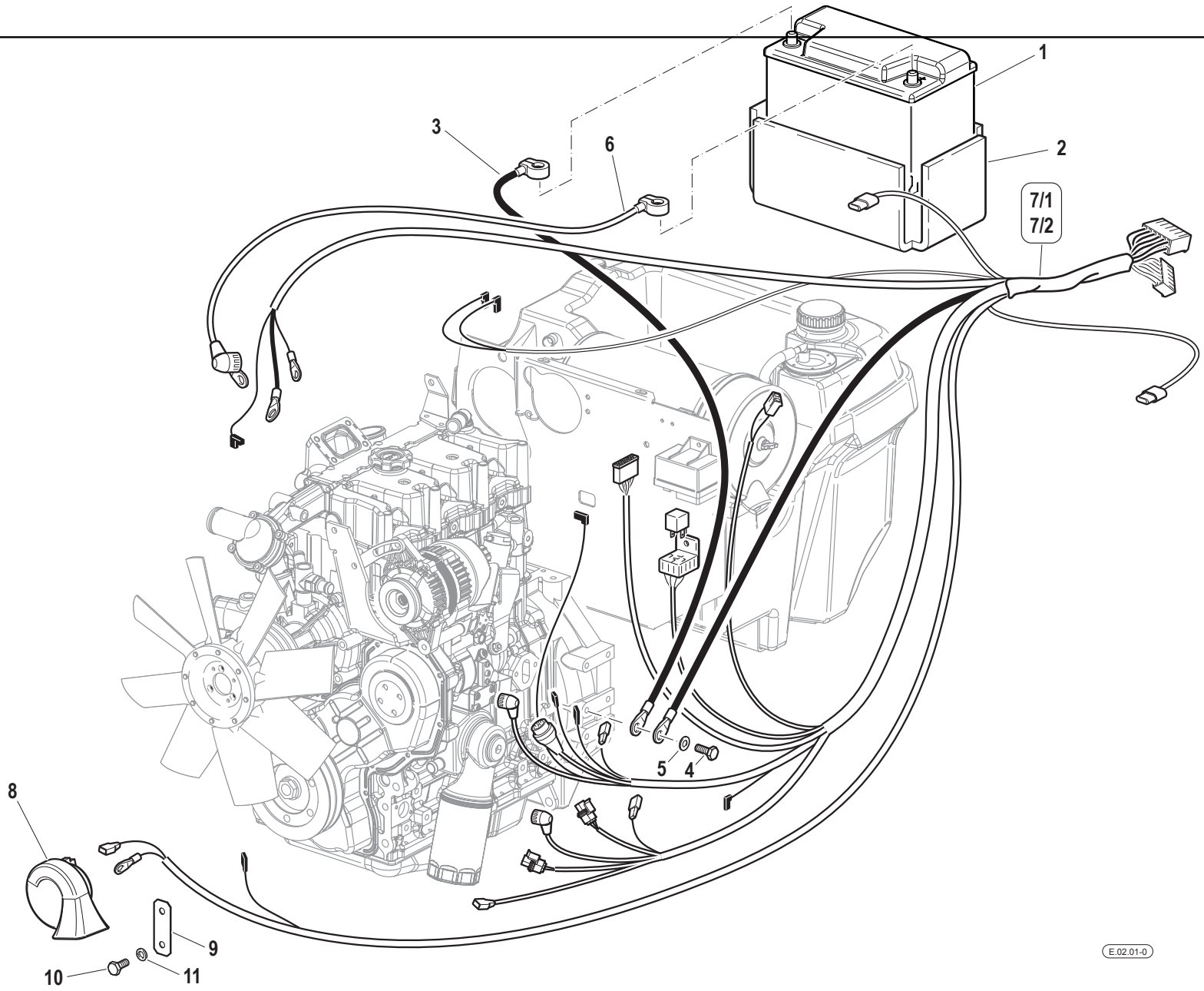


Pos.	Code	Q.ty	Description	Notes
33	31112093	1	SCREW TE M6X20 UNI 5739 8G	
34	F0843570000	1	WASHER 6	
35	55178581	1	BELLOWS	



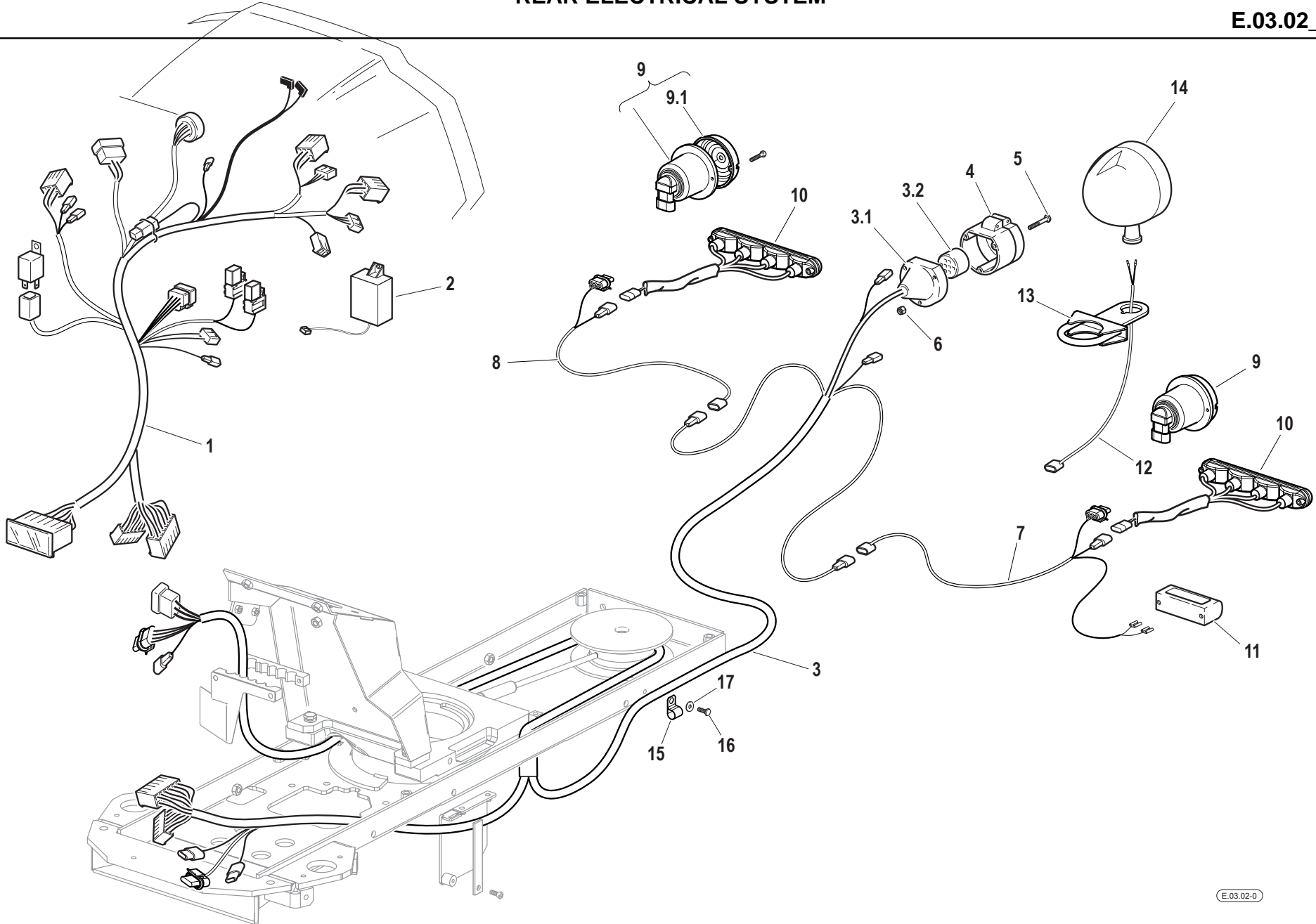
Pos.	Code	Q.ty	Description	Notes
1	580A0478	1	CABLE	
2	581A0071	2	OPTICAL GROUP	
3	58176395	2	OPTICAL GROUP	
4	F0861867050	16	SCREW M4,2X19 DIN 7981	
5	58176743	4	CAP	
6	580A0479	2	CABLE	
7	58179413	2	POSITION LIGHT	
7.1	59901086	2	VETRO BIANCO FARO ANT.03438001	
8	58176406	4	INDICATOR	

ENGINE ELECTRIC SYSTEM

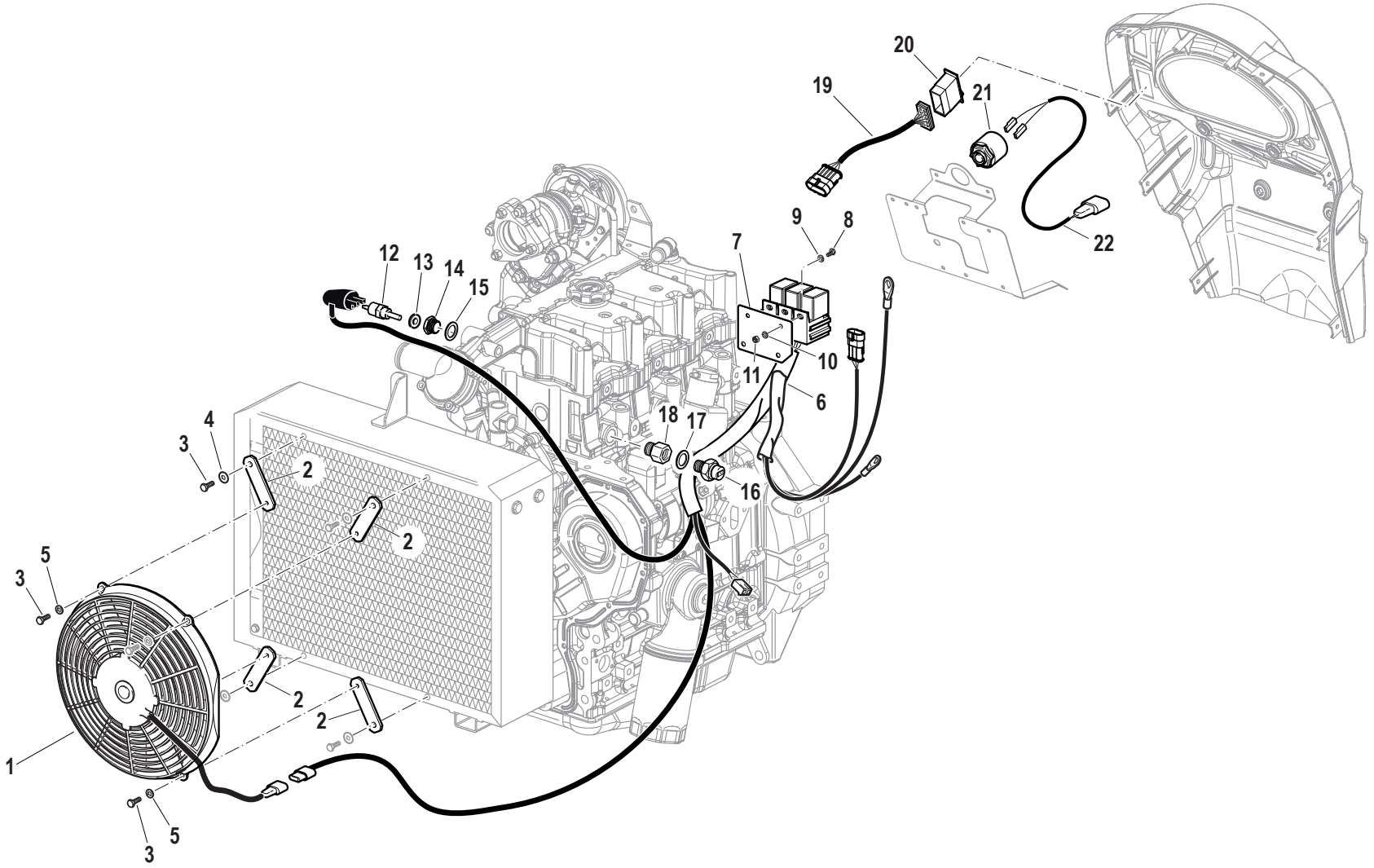


Pos.	Code	Q.ty	Description	Notes
1	F0825480100	1	BATTERY	
2	F0190018909	1	LINING	
3	58072081	1	CABLE	
4	31112210	1	SCREW TE M10X20 UNI 5739	
5	F0843755000	1	WASHER 10	
6	58071313	1	CABLE	
7/1	580A0477	1	CABLE	
7/2	580A0079	1	CABLE	
8	F0825417000	1	HORN	
9	56171233	1	SMALL PLATE	
10	31112208	1	SCREW TE M10X16 UNI 5739	
11	F0843755000	1	WASHER 10	

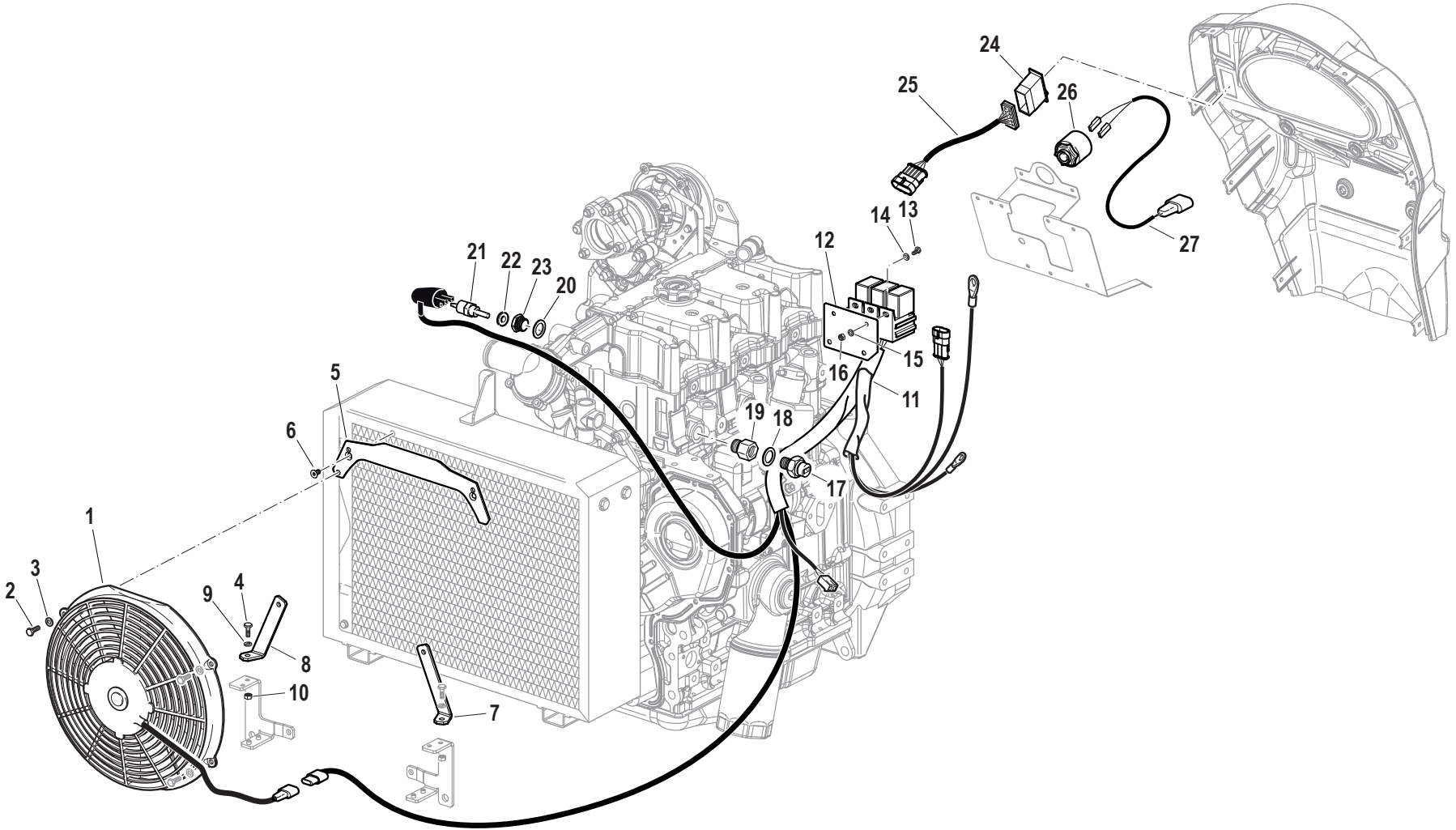
REAR ELECTRICAL SYSTEM



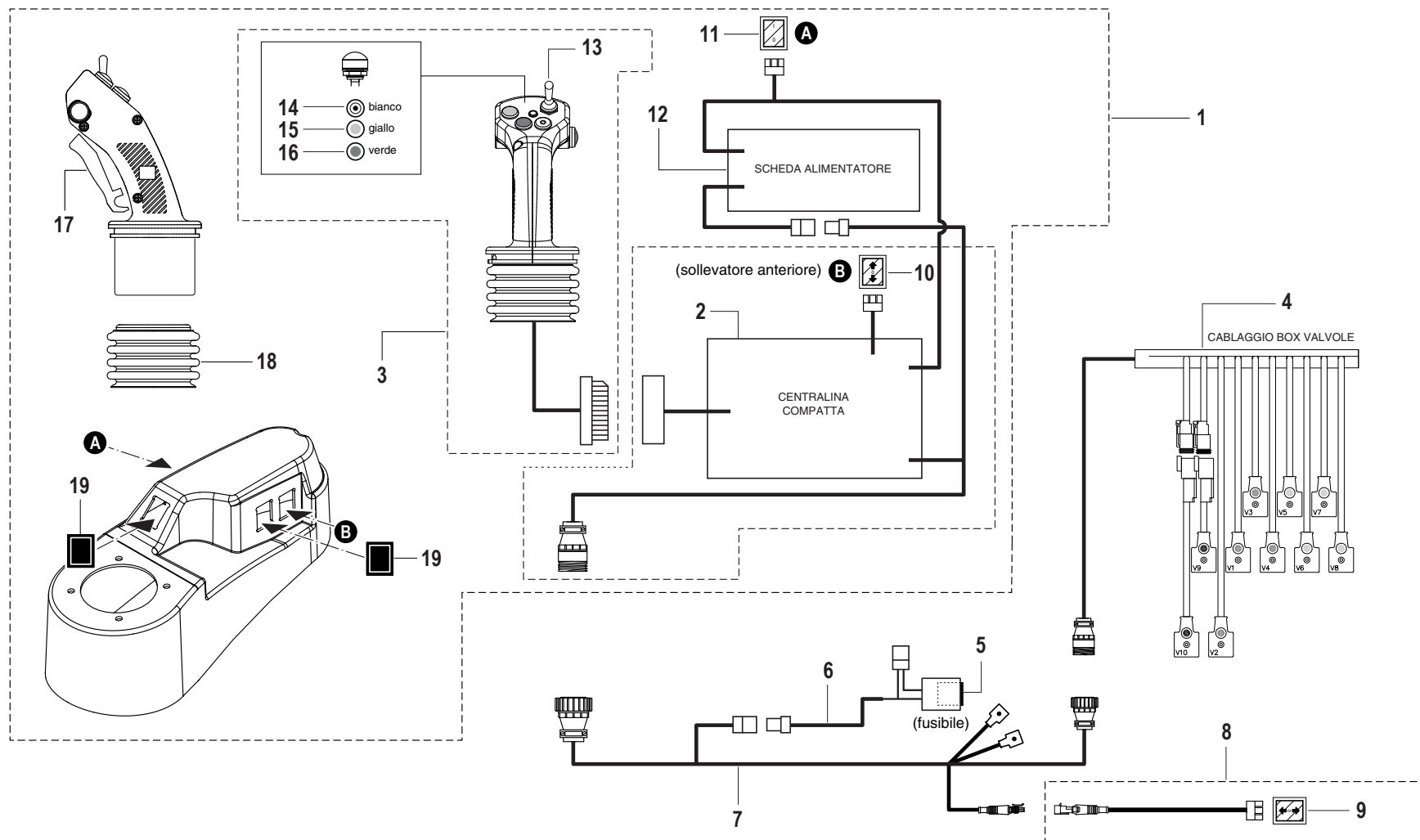
Pos.	Code	Q.ty	Description	Notes
1	58079881	1	CABLE	
2	58175700	1	SWITCHING DEVICE	
3	58079883	1	CABLE	
3.1	58170572	1	CAP	
3.2	58170571	1	ATTACHMENT PLUG	
4	F0825438000	1	SOCKET	
5	F0861941000	3	SCREW M5X35 UNI 6107	
6	31211050	3	NUT M5	
7	580A0480	1	CABLE	
8	580A0481	1	CABLE	
9	58176396	2	LAMP	
9.1	59901087	2	REAR LIGHT GLASS	
10	58176406	4	INDICATOR	
11	30000506	1	LAMP	
12	58077305	1	CABLE	
13	59077242	1	SUPPORT	
14	F0825493000	1	HEADLIGHT	
15	F0825416000	2	CLAMP	
16	31111090	2	SCREW TE M5X10 UNI 5739 8G	
17	31411064	2	WASHER 6,4x12,5	



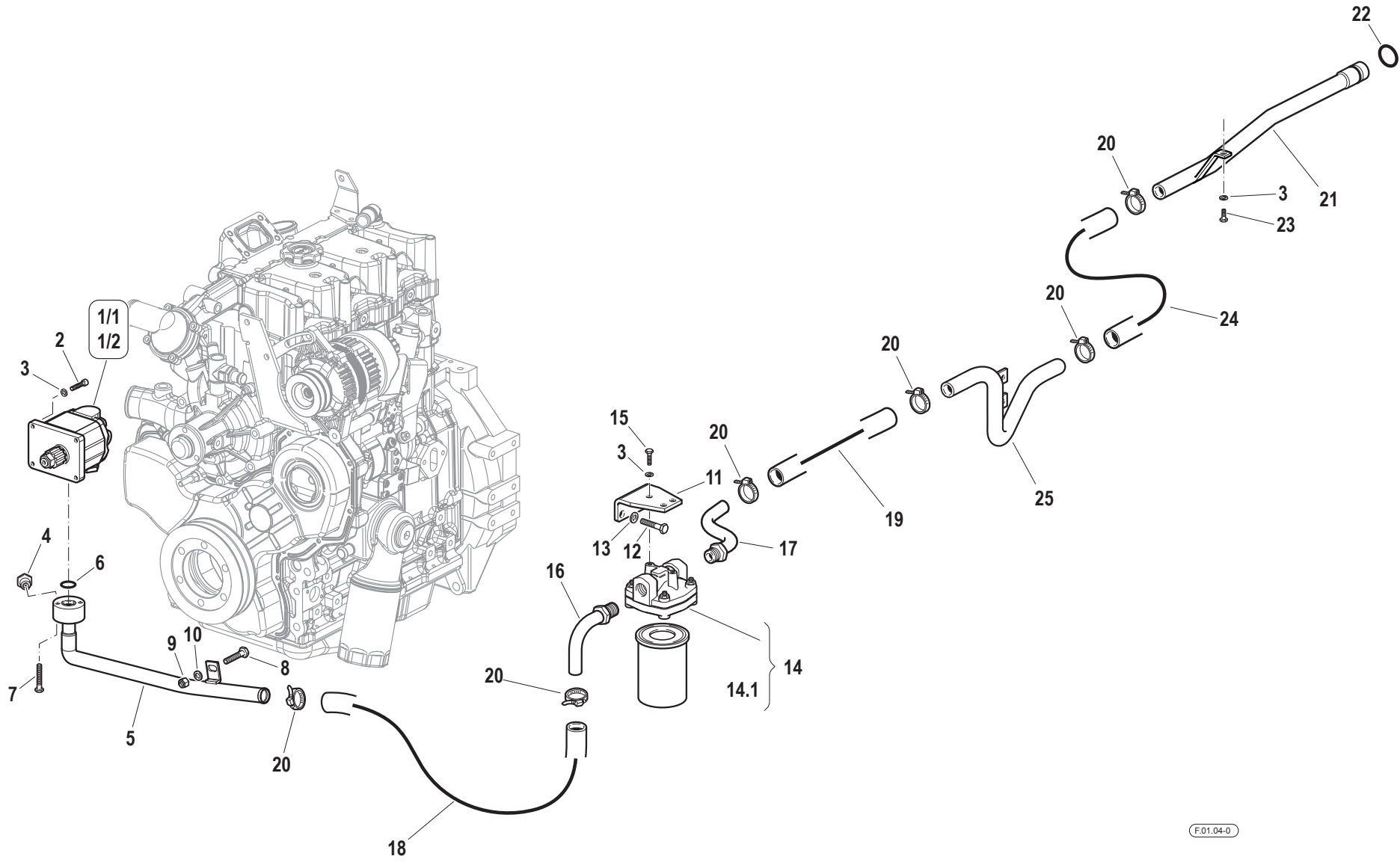
Pos.	Code	Q.ty	Description	Notes
1	58177939	1	FAN	
2	561A0342	4	FIXING BRACKET	
3	31112082	8	SCREW TE M6X12 UNI 5739 8G	
4	31411064	4	WASHER 6,4x12,5	
5	F0843570000	8	WASHER 6	
6	580A0483	1	CABLE	
7	561A0792	1	SUPPORT	
8	31111089	2	SCREW TE M5X10 UNI 5739 8G	
9	31411053	2	WASHER 5,3x10	
10	F0843561000	2	WASHER 5	
11	31211050	2	NUT M5	
12	58179181	1	THERMOSTAT	
13	F0824113000	1	COPPER WASHER 18X24/1,5	
14	56177938	1	REDUCING BUSH	
15	F0844273090	1	GASKET 22X28X1,5 CU 99,5	
16	58179276	1	SWITCH	
17	F0844030070	1	COPPER WASHER 16,0x22/1,5	
18	560A0488	1	PIPE FITTING	
19	580A0127	1	CABLE	
20	59901429	1	INTERRUTTORE COMPLETO SCS	
21	58035255	1	BUZZER	
22	58079278	1	CABLE	



Pos.	Code	Q.ty	Description	Notes
1	58177939	1	FAN	
2	31111091	4	SCREW E M6X14 UNI 5739 8G	
3	31411064	6	WASHER 6,4x12,5	
4	F0862129000	2	SCREW M6X18 UNI 5739 8.8	
5	59077945	1	FIXING PLATE	
6	F0861990050	2	SCREW M6X12 UNI 5933 10.9 ZNT	
7	560A1166	1	STAFFA DX VENT/SCAMB.55-65 **	
8	560A1167	1	STAFFA SX VENT/SCAMB.55-65 **	
9	F0843570000	2	WASHER 6	
10	31211060	2	NUT M6	
11	580A0483	1	CABLE	
12	561A0792	1	SUPPORT	
13	31111089	2	SCREW TE M5X10 UNI 5739 8G	
14	31411053	2	WASHER 5,3x10	
15	F0843561000	2	WASHER 5	
16	31211050	2	NUT M5	
17	58179181	1	THERMOSTAT	
18	F0824113000	1	COPPER WASHER 18X24/1,5	
19	56177938	1	REDUCING BUSH	
20	F0844273090	1	GASKET 22X28X1,5 CU 99,5	
21	58179276	1	SWITCH	
22	F0844030070	1	COPPER WASHER 16,0x22/1,5	
23	560A0488	1	PIPE FITTING	
24	59901429	1	INTERRUTTORE COMPLETO SCS	
25	580A0127	1	CABLE	
26	58035255	1	BUZZER	
27	58079278	1	CABLE	

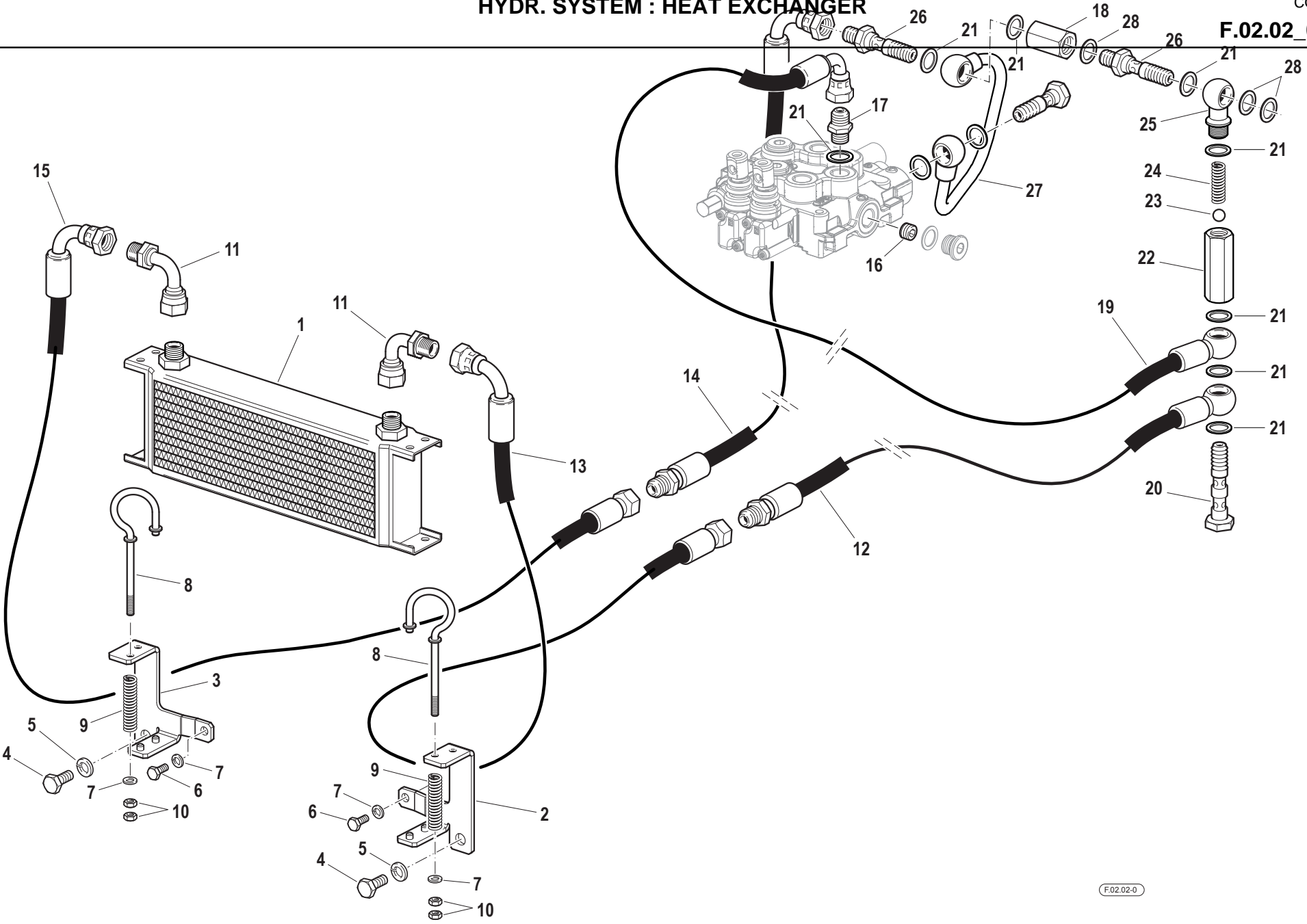


Pos.	Code	Q.ty	Description	Notes
1	592A1082	1	BRACCIOLO JOYST.55-65	
2	59906041	1	CENTRALINA CABLATA XV000036	
3	59906039	1	JOYSTICK CABLATO TS590BCSGM10	
4	581A1080	1	CABL.BLOCCO ELETTROV.55-65CV	
5	58035266	1	FUSE/LOCK	
6	58077963	1	CABLE	
7	581A1081	1	CABLAGGIO PRINCIPALE 55-65CV	
8	58179508	1	CABLE	
9	58179337	1	CHANGE-OVER SWITCH	
10	58177764	1	CHANGE-OVER SWITCH	
11	59906040	1	INTERRUT.BIPOL.VERDE XD000100	
12	581A0689	1	CONTROL ELECTRONIC CARD	
13	59906036	1	KIT INTERRUTTORE (KIC-I-1-0-1)	
14	59906037	1	PULS.COMPL.BIANCO PC-I BLED	
15	59906012	1	PUSH-BUTTON	
16	59906014	1	PUSH-BUTTON	
17	59906009	1	KIT	
18	59906010	1	SOFFIETTO (SJ-IPC)	
19	58177763	1	HOLECOVER	



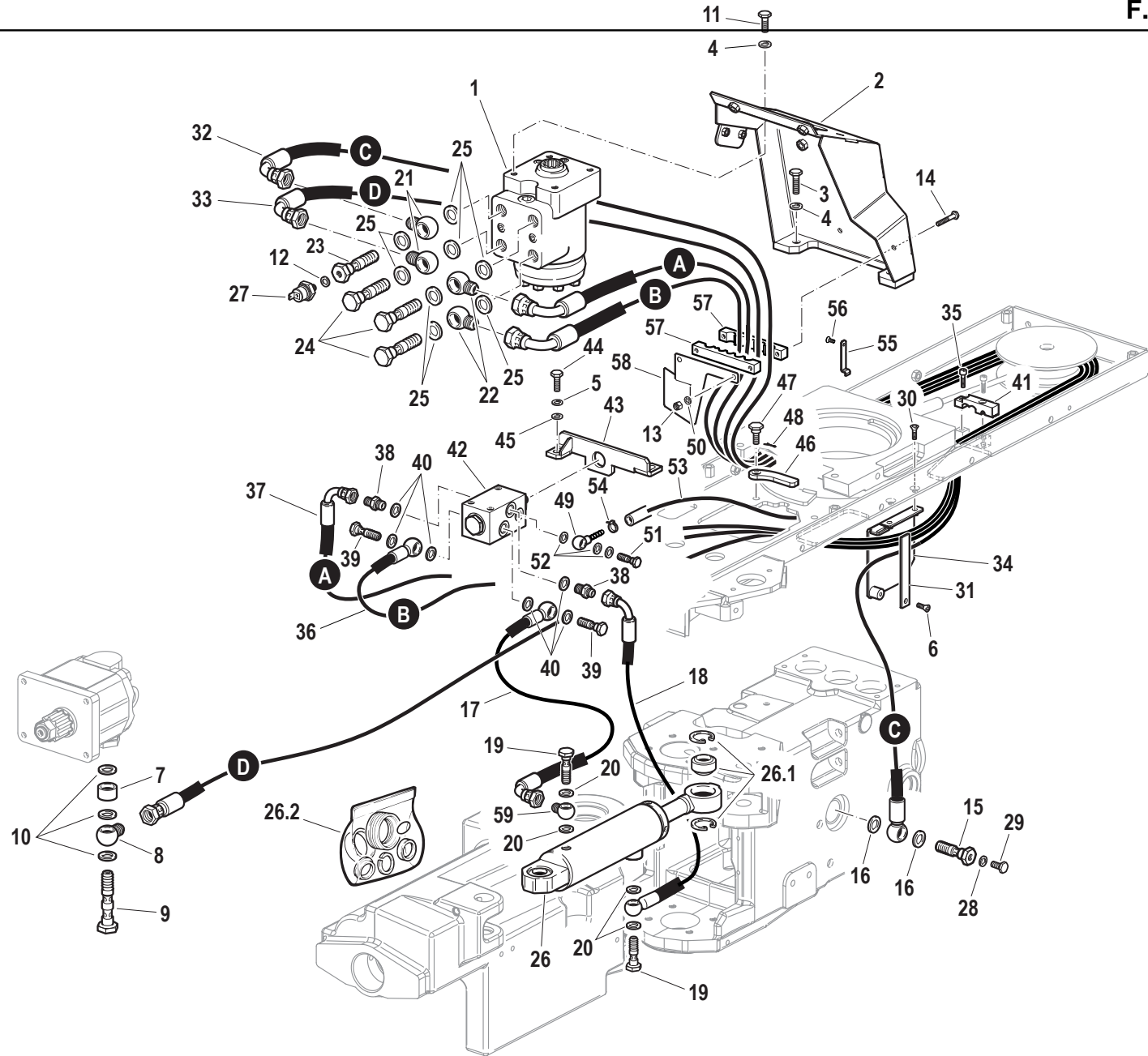
Pos.	Code	Q.ty	Description	Notes
1/1	58179982	1	LIFT PUMP	
1/2	581A0813	1	POMPA M.(200102513330)A2102*mr	
2	31152083	4	SCREW TCEI M8X30 UNI 5931	
3	F0843643060	7	WASHER 8	
4	58175122	1	DIGITAL INSTRUMENT	
5	590A0567	1	TUBO ASPIRAZ.POMPA 55-65 **	
6	38112200	1	O-RING 3087 (22,00X2,62)	
7	F0862796000	2	SCREW M8X40 UNI 5931	
8	31112213	1	SCREW TE M10X40 UNI 5739	
9	31211100	1	NUT M10	
10	F0843755000	1	WASHER 10	
11	56174763	1	OIL FILTER BRACKET	
12	31112210	2	SCREW TE M10X20 UNI 5739	
13	F0843755000	2	WASHER 10	
14	58175014	1	FILTER	
14.1	F0825718020	1	FILTER INSERT	
15	31112150	2	SCREW TE M8X20 UNI 5739 8G	
16	59076213	1	PIPE	
17	59076212	1	PIPE	
18	58173505	1	FLEXIBLE HOSE	
19	58176336	1	SUCTION PIPE	
20	F0817503000	6	CLAMP 037,6-906R	
21	590A0568	1	TUBO ASPIRAZ.POST.55-65-AR-	
22	38113142	1	O-RING	
23	31111151	3	SCREW TE M8X16 UNI 5739 8G	
24	58170352	1	FLEXIBLE HOSE	
25	590A0569	1	TUBO INTERM.ASPIRAZ.55-65-AR-	

HYDR. SYSTEM : HEAT EXCHANGER



Pos.	Code	Q.ty	Description	Notes
1	58174027	1	HEAT EXCHANGER	
2	590A1162N	1	STAFFA DX APP.SCAM.55-65NERO**	
3	590A1164N	1	STAFFA SX APP.SCAM.55-65NERO**	
4	31112208	2	SCREW TE M10X16 UNI 5739	
5	F0843755000	2	WASHER 10	
6	31112082	4	SCREW TE M6X12 UNI 5739 8G	
7	31411064	2	WASHER 6,4x12,5	
8	59077943	2	ROD	
9	58077942	2	SPRING	
10	F0814547000	2	SELFLOCK NUT M6	
11	30000254	2	CURVA 90°M+F 3/8(C90MFG06)	
12	580A1181	1	TUBO FLESS.POST.SCAMB.55-65CV	
13	580A1182	1	TUBO FLESS.ANT.SCAMB.55-65CV	
14	580A0535	1	TUBO FLESS.POMPA/DISTR.55-65CV	
15	580A1183	1	TUBO FLES.SCAMB-FILTR.55-65CV	
16	30040015	1	TAPPO CON.1/4GAS DIN 906 ZNT/B	
17	30000197	1	NIPPLE	
18	30000265	1	PROLUNGA F-F 3/8 GAS(32100606)	
19	580A1242	1	TUBO FLESS.BY-PASS 55-65CV	
20	58170693	1	PIPE FITTING	
21	F0824110000	7	COPPER WASHER 3/8 GAS	
22	560A1103	1	CORPO VALVOLA 55-65	
23	F0847462000	1	BALL RB-11.112	
24	580A1243	1	MOLLA VALVOLA BY-PASS 55-65	
25	F0842510025	1	PIPE FITTING	
26	56373163	2	PIPE UNION	
27	590A1203	1	TUBO SCAR.DISTR.PM 55-65-AR-	
28	P99651000000	2	WASHER	

STEERING HYDR. SYSTEM



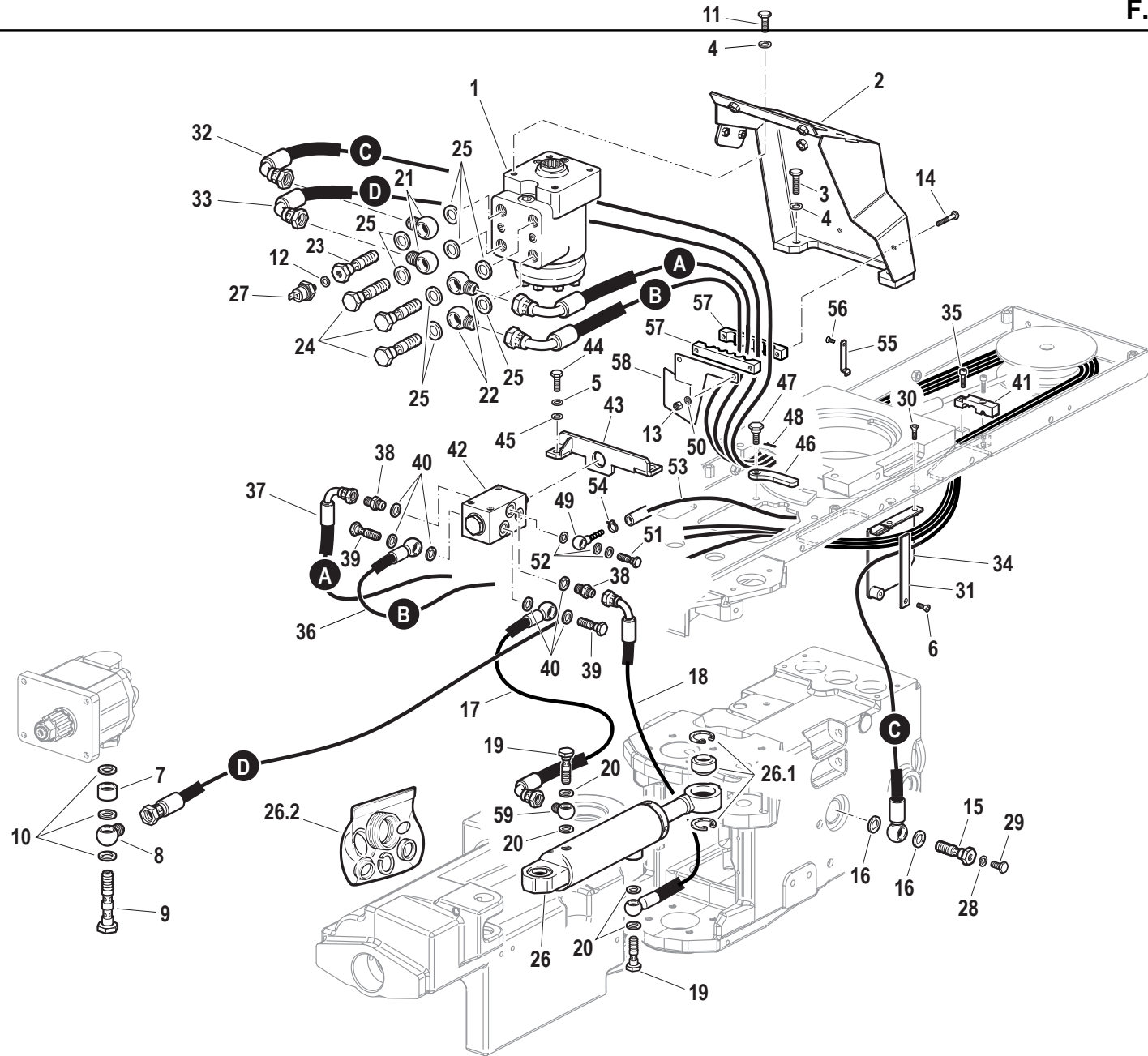
Pos.	Code	Q.ty	Description	Notes
1	58178953	1	HYDROSTEERING	
2	590A0013	1	HOLDER COUPLING	
3	31112211	2	SCREW TE M10X30 UNI 5739	
4	F0843755000	3	WASHER 10	
5	F0843643060	2	WASHER 8	
6	31112082	1	SCREW TE M6X12 UNI 5739 8G	
7	560A0654	1	SPACER	
8	F0842510020	1	PIPE FITTING	
9	30000787	1	HOLLOW SCREW 18x1,5	
10	F0824113000	3	COPPER WASHER 18X24/1,5	
11	31112210	1	SCREW TE M10X20 UNI 5739	
12	F0843841000	1	COPPER WASHER 12,0x18/1,5	
13	31211060	2	NUT M6	
14	31111097	2	SCREW TE M6X45 UNI 5737 8G	
15	58074558	1	PIPE FITTING	
16	F0843907000	2	COPPER WASHER 13,66x19/1,5	
17	580A0541	1	TUBO FLESS.DEV/IDR(A1912) *	
18	580A0540	1	TUBO FLESS.DEV/IDR(A1913) *	
19	F0843109000	2	PIPE FITTING 14x1,5	
20	F0843948000	4	COPPER WASHER 14,0x20/1,5	
21	F0842512000	2	PIPE FITTING	
22	F0835040030	2	PIPE FITTING	
23	56176054	1	THREADED TERMINAL END	
24	F0843116000	3	PIPE FITTING 1/2	
25	F0824141000	8	COPPER WASHER 21x27/1,5	
26	58174019	1	STEERING CYLINDER	
26.1	59900178	1	BUSHINGS KIT	
26.2	59900247	1	GASKET SET	
27	58173399	1	PRESSURE SWITCH	
28	F0843641000	1	COPPER WASHER 8x14/1,5	
29	F0862448100	1	SCREW M8X10 UNI 5740	
30	P00000000554	2	SCREW M6x14 UNI 5933	
31	56179565	1	FIXING PLATE	
32	580A0655	1	TUBO FLESS.SCAR.IDROG.55-65REV	

SERIAL

STEERING HYDR. SYSTEM

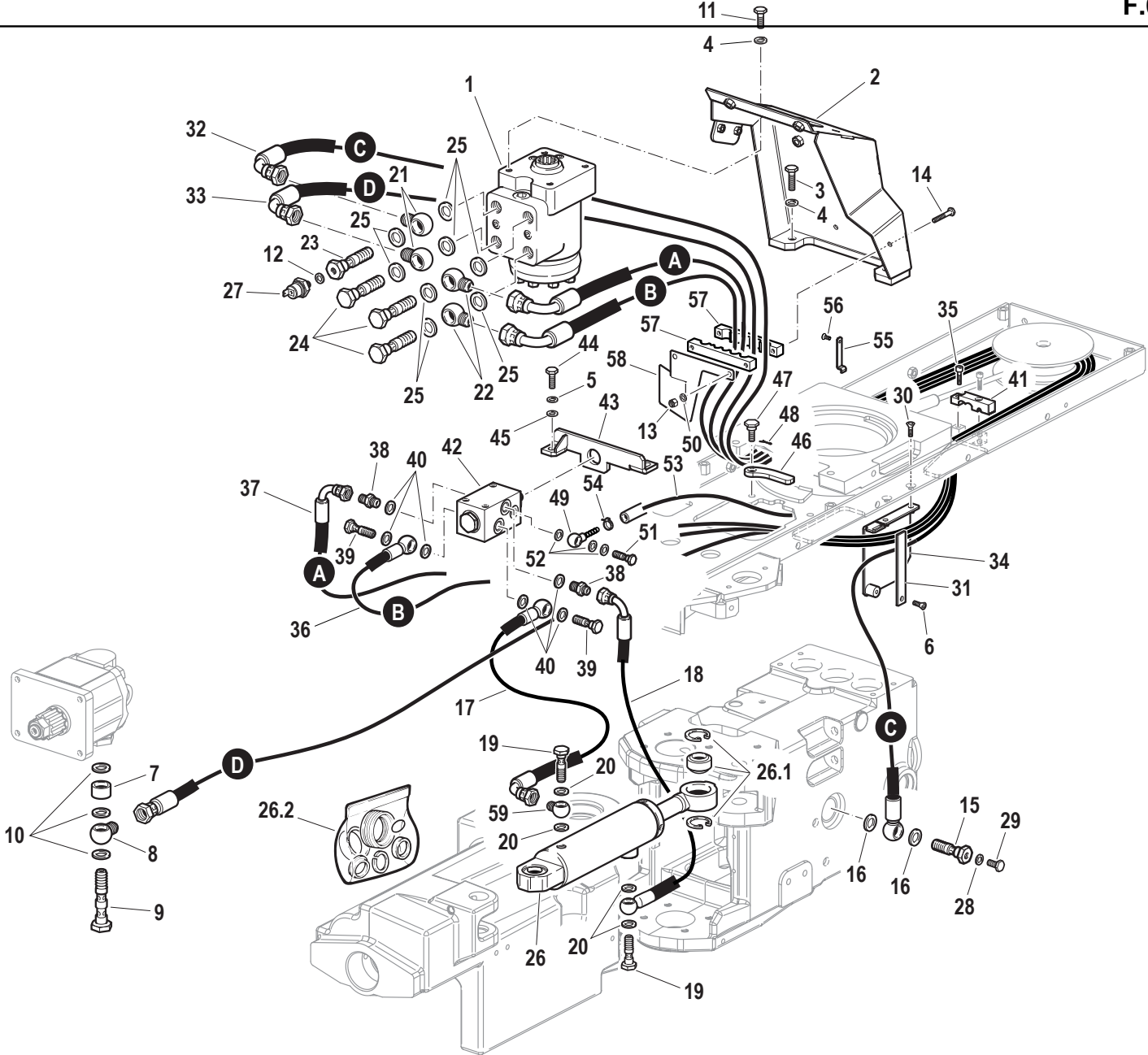
CODE REV

F.03.05_0_71400



Pos.	Code	Q.ty	Description	Notes
33	580A0656	1	TUBO FLESS.ALIM.IDROG.55-65REV	
34	590A0145	1	SUPPORTING YOKE	
35	F0862131000	2	SCREW M6X18 UNI 5931	
36	58079869	1	FLEXIBLE HOSE	
37	58079870	1	FLEXIBLE HOSE	
38	F0835031010	2	NIPPLE	
39	F0843107000	2	PIPE FITTING GAS 1/4	
40	F0843907000	8	COPPER WASHER 13,66x19/1,5	
41	560A0646	1	SMALL BLOCK	
42	58179926	1	SPACER	
43	590A0292	1	FIXING BRACKET	
44	31112146	2	SCREW TE M8X22 UNI 5739 8G	
45	31411084	2	WASHER 8,4x17	
46	561A0648	1	PLATE	
47	563A0649	1	VITE SPEC.M8x27 CH.17 ZNT/B	
48	F0810510000	1	SPLIT PIN A2,0X20 UNI 1336	
49	30000268	1	EYELET	
50	F0843570000	2	WASHER 6	
51	P28120700000	1	PIPE FITTING	
52	P25412400000	3	WASHER	
53	58073238	1	FLEXIBLE HOSE	
54	F0817505100	2	CLAMP	
55	560A0651	1	PLATE	
56	31132440	1	SCREW TSVEI M4X10 UNI 5933	
57	561A0647	2	COMB	
58	560A0652	1	SHIELD	
59	58170930	1	PIPE FITTING	

STEERING HYDR. SYSTEM (VERSION WITH CAB)



Pos.	Code	Q.ty	Description	Notes
1	58178953	1	HYDROSTEERING	
2	590A0013	1	HOLDER COUPLING	
3	31112211	2	SCREW TE M10X30 UNI 5739	
4	F0843755000	3	WASHER 10	
5	F0843643060	2	WASHER 8	
6	31112082	1	SCREW TE M6X12 UNI 5739 8G	
7	560A0654	1	SPACER	
8	F0842510020	1	PIPE FITTING	
9	30000787	1	HOLLOW SCREW 18x1,5	
10	F0824113000	3	COPPER WASHER 18X24/1,5	
11	31112210	1	SCREW TE M10X20 UNI 5739	
12	F0843841000	1	COPPER WASHER 12,0x18/1,5	
13	31211060	2	NUT M6	
14	31111097	2	SCREW TE M6X45 UNI 5737 8G	
15	58074558	1	PIPE FITTING	
16	F0843907000	2	COPPER WASHER 13,66x19/1,5	
17	580A0541	1	TUBO FLESS.DEV/IDR(A1912) *	
18	580A0540	1	TUBO FLESS.DEV/IDR(A1913) *	
19	F0843109000	2	PIPE FITTING 14x1,5	
20	F0843948000	4	COPPER WASHER 14,0x20/1,5	
21	F0842512000	2	PIPE FITTING	
22	F0835040030	2	PIPE FITTING	
23	56176054	1	THREADED TERMINAL END	
24	F0843116000	3	PIPE FITTING 1/2	
25	F0824141000	8	COPPER WASHER 21x27/1,5	
26	581A0598	1	CYLINDER	
26.1	59900178	1	BUSHINGS KIT	
26.2	59901324	1	GASKET SET	
27	58173399	1	PRESSURE SWITCH	
28	F0843641000	1	COPPER WASHER 8x14/1,5	
29	F0862448100	1	SCREW M8X10 UNI 5740	
30	P00000000554	2	SCREW M6x14 UNI 5933	
31	56179565	1	FIXING PLATE	
32	580A0655	1	TUBO FLESS.SCAR.IDROG.55-65REV	

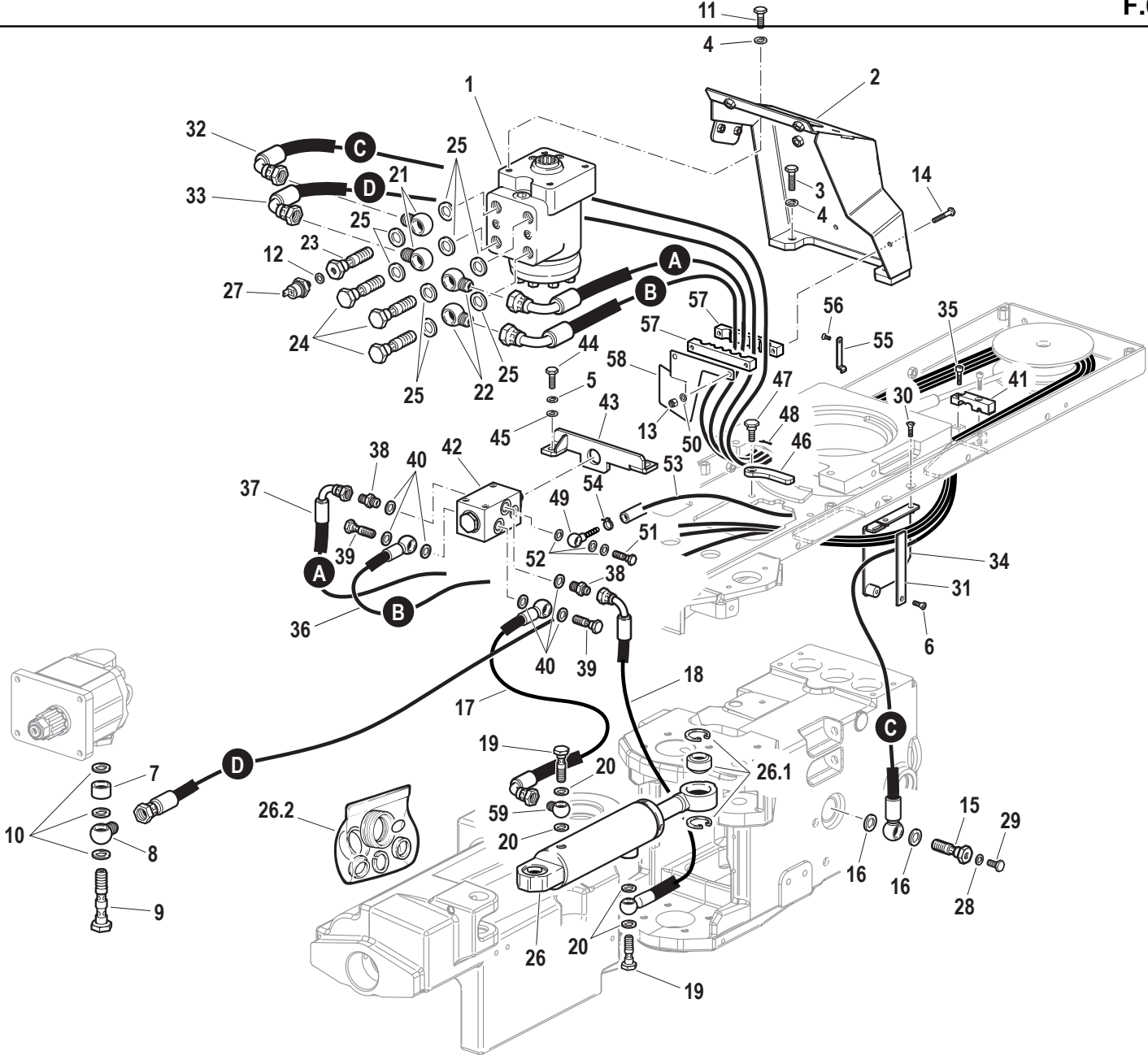
SERIAL

STEERING HYDR. SYSTEM (VERSION WITH CAB)

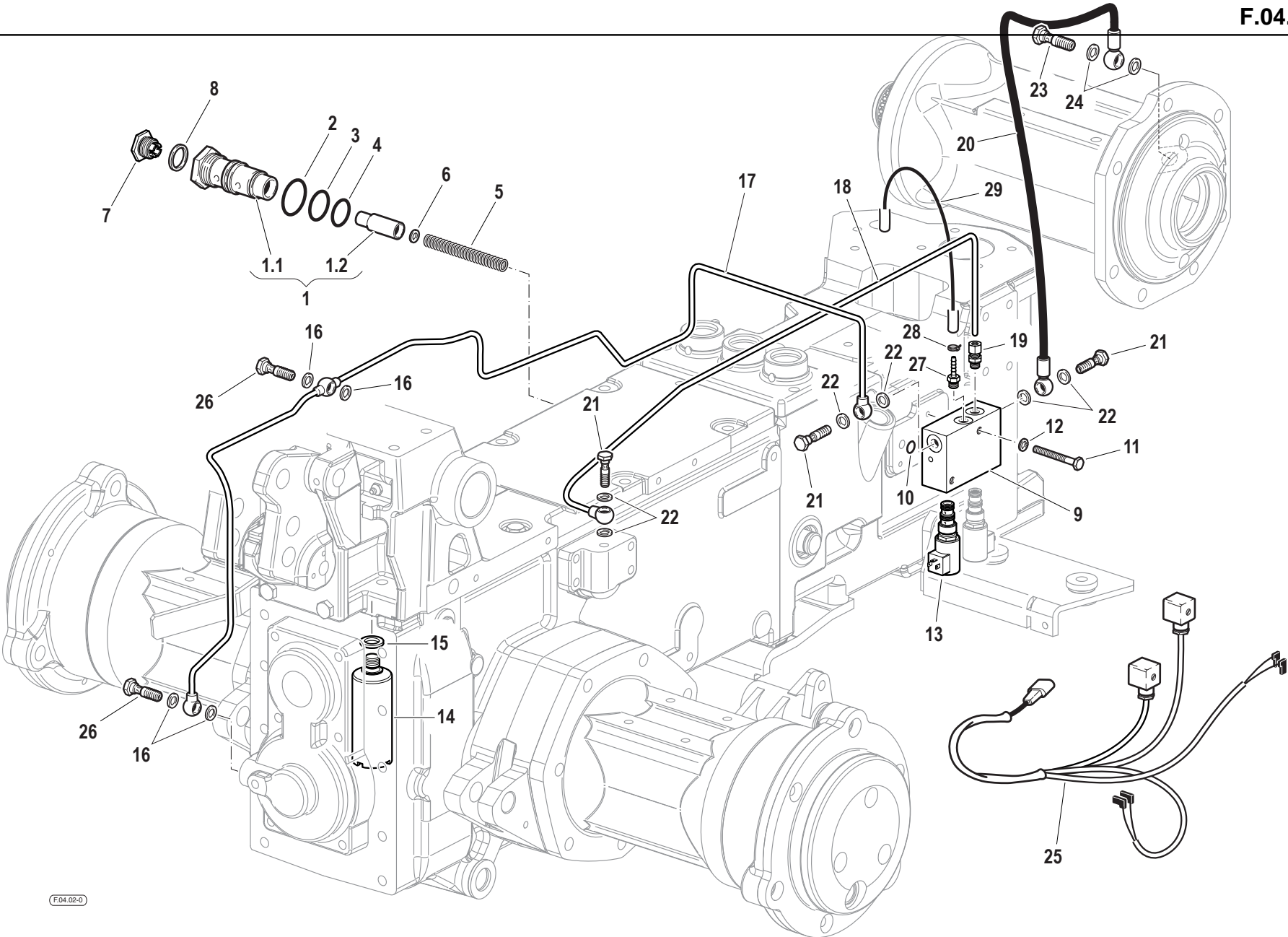
CODE REV

F.03.06_0_71462

STEERING HYDR. SYSTEM (VERSION WITH CAB)



Pos.	Code	Q.ty	Description	Notes
33	580A0656	1	TUBO FLESS.ALIM.IDROG.55-65REV	
34	590A0145	1	SUPPORTING YOKE	
35	F0862131000	2	SCREW M6X18 UNI 5931	
36	58079869	1	FLEXIBLE HOSE	
37	58079870	1	FLEXIBLE HOSE	
38	F0835031010	2	NIPPLE	
39	F0843107000	2	PIPE FITTING GAS 1/4	
40	F0843907000	8	COPPER WASHER 13,66x19/1,5	
41	560A0646	1	SMALL BLOCK	
42	58179926	1	SPACER	
43	590A0292	1	FIXING BRACKET	
44	31112146	2	SCREW TE M8X22 UNI 5739 8G	
45	31411084	2	WASHER 8,4x17	
46	561A0648	1	PLATE	
47	563A0649	1	VITE SPEC.M8x27 CH.17 ZNT/B	
48	F0810510000	1	SPLIT PIN A2,0X20 UNI 1336	
49	30000268	1	EYELET	
50	F0843570000	2	WASHER 6	
51	P28120700000	1	PIPE FITTING	
52	P25412400000	3	WASHER	
53	58073238	1	FLEXIBLE HOSE	
54	F0817505100	2	CLAMP	
55	560A0651	1	PLATE	
56	31132440	1	SCREW TSVEI M4X10 UNI 5933	
57	561A0647	2	COMB	
58	560A0652	1	SHIELD	
59	58170930	1	PIPE FITTING	

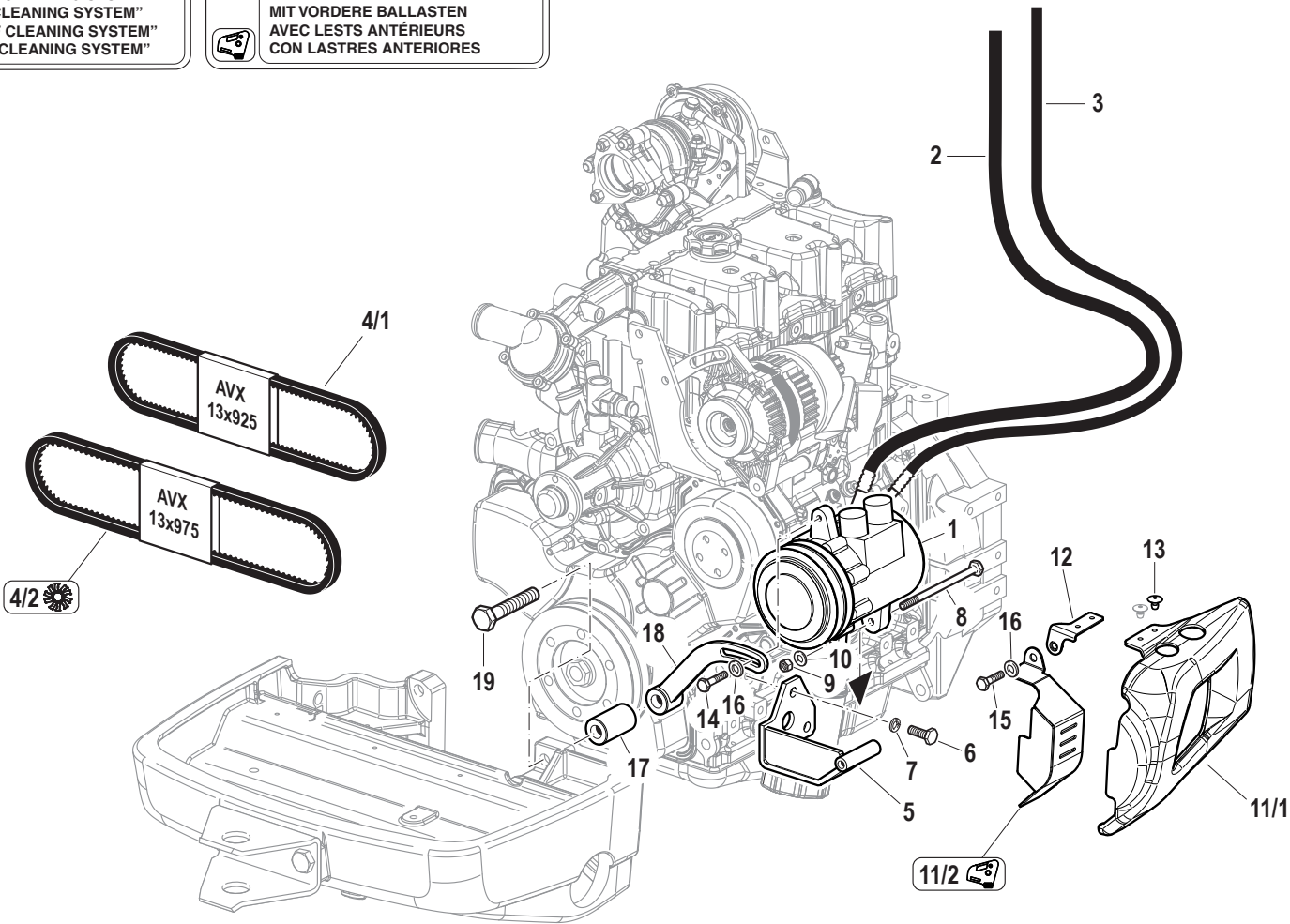


Pos.	Code	Q.ty	Description	Notes
1	59379589	1	COMPLETE MAX PRESSURE VALVE	
1.1	56579588	1	ASTUC.VALV.MAX PRESS.50-60CV	
1.2	56470030	1	VALVE	
2	38112982	1	O-RING	
3	F0803199010	1	O-RING 132 (23,81X2,62)	
4	F0803072050	1	O-RING 2093 (23,52x1,78)	
5	58073183	1	SPRING	
6	F0843526000	1	WASHER 4,3x12/1,5	
7	56372474	1	PIPE CONNECTION	
8	F0844200050	1	COPPER WASHER 20,0x26/1,5	
9	56179531	1	SMALL BLOCK	
10	38110992	2	O-RING 112 (9,92X2,62)	
11	F0862345000	2	SCREW M6X40 UNI 5737	
12	F0843570000	2	WASHER 6	
13	58172463	2	ELECTRO VALVE	
14	59271011	1	UNIT	
15	F0843948000	1	COPPER WASHER 14,0x20/1,5	
16	F0843771000	4	COPPER WASHER 10,0x16/1	
17	590A0570	1	TUBO MANDATA FRIZ.PDF 55-65	
18	590A0571	1	TUBO BLOCC.DIFF.POST.55-65	
19	58174547	1	NIPPLE	
20	580A0536	1	TUBO FLESS.BLOC.ELETTR.55-65CV	
21	56178695	3	THREADED TERMINAL END	
22	P25412400000	6	WASHER	
23	F0843107000	1	PIPE FITTING GAS 1/4	
24	F0843907000	2	COPPER WASHER 13,66x19/1,5	
25	58079884	1	CABLE	
26	P28120700000	2	PIPE FITTING	
27	30000270	1	PIPE FITTING	
28	F0817505100	2	CLAMP	
29	58073238	1	FLEXIBLE HOSE	

CON "SELF CLEANING SYSTEM"
WITH "SELF CLEANING SYSTEM"
MIT "SELF CLEANING SYSTEM"
AVEC "SELF CLEANING SYSTEM"
CON "SELF CLEANING SYSTEM"

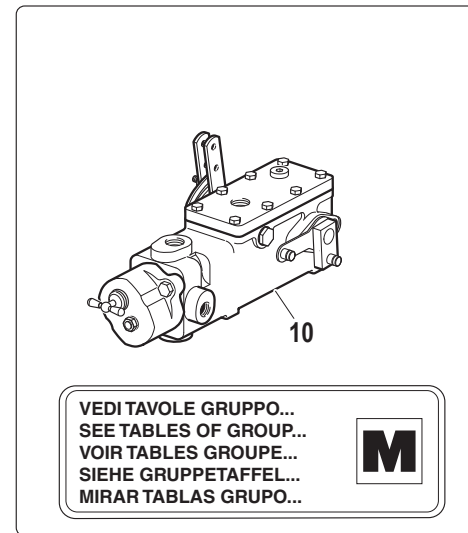
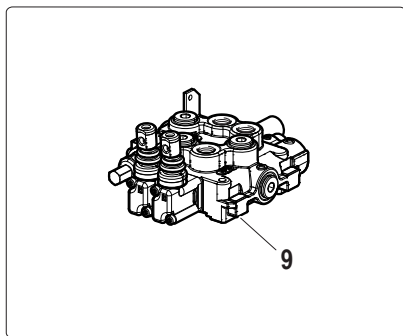
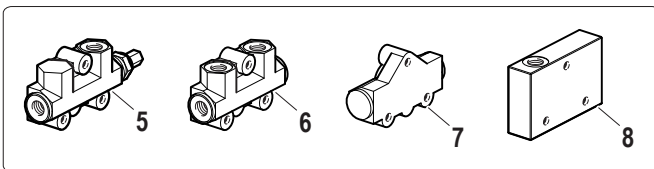
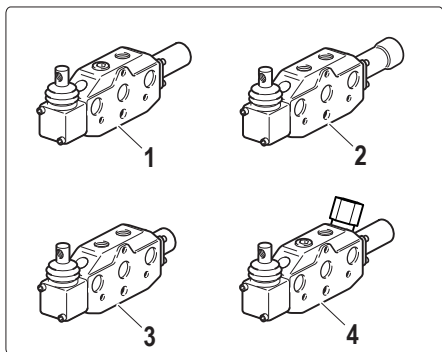


CON ZAVORRE ANTERIORI
WITH FRONT BALLASTS
MIT VORDERE BALLASTEN
AVEC LESTS ANTÉRIEURS
CON LASTRES ANTERIORES



Pos.	Code	Q.ty	Description	Notes
1	581A0174	1	GEAR COMPRESSOR	
2	59901338	1	TUBO G10 L=1720mm (710BCS.16)	
3	59901339	1	TUBO G8 L=1840mm (708BCS.13)	
4/1	581A0270	1	ENGINE BELT	
4/2	581A0273	1	ENGINE BELT	
5	590A0266	1	BRACKET	
6	31112210	3	SCREW TE M10X20 UNI 5739	
7	F0843755000	3	WASHER 10	
8	31112174	1	SCREW TE M8X110 UNI 5737 8.8	
9	31241081	1	SELFLOCK NUT M8	
10	31411084	1	WASHER 8,4x17	
11/1	573A0839	1	COVER	
11/2	590A0905	1	SHIELD	
12	590A0838	1	PLATE	
13	33312508	2	RIVET	
14	31112151	1	SCREW TE M8X25 UNI 5739 8G	
15	31112150	1	SCREW TE M8X20 UNI 5739 8G	
16	31421083	2	WASHER	
17	561A0268	1	SPACER	
18	590A0267	1	TIRANTE COMPRESS.55-65CV-CAB	
19	F0864335020	1	SCREW M14X120 UNI 5737	

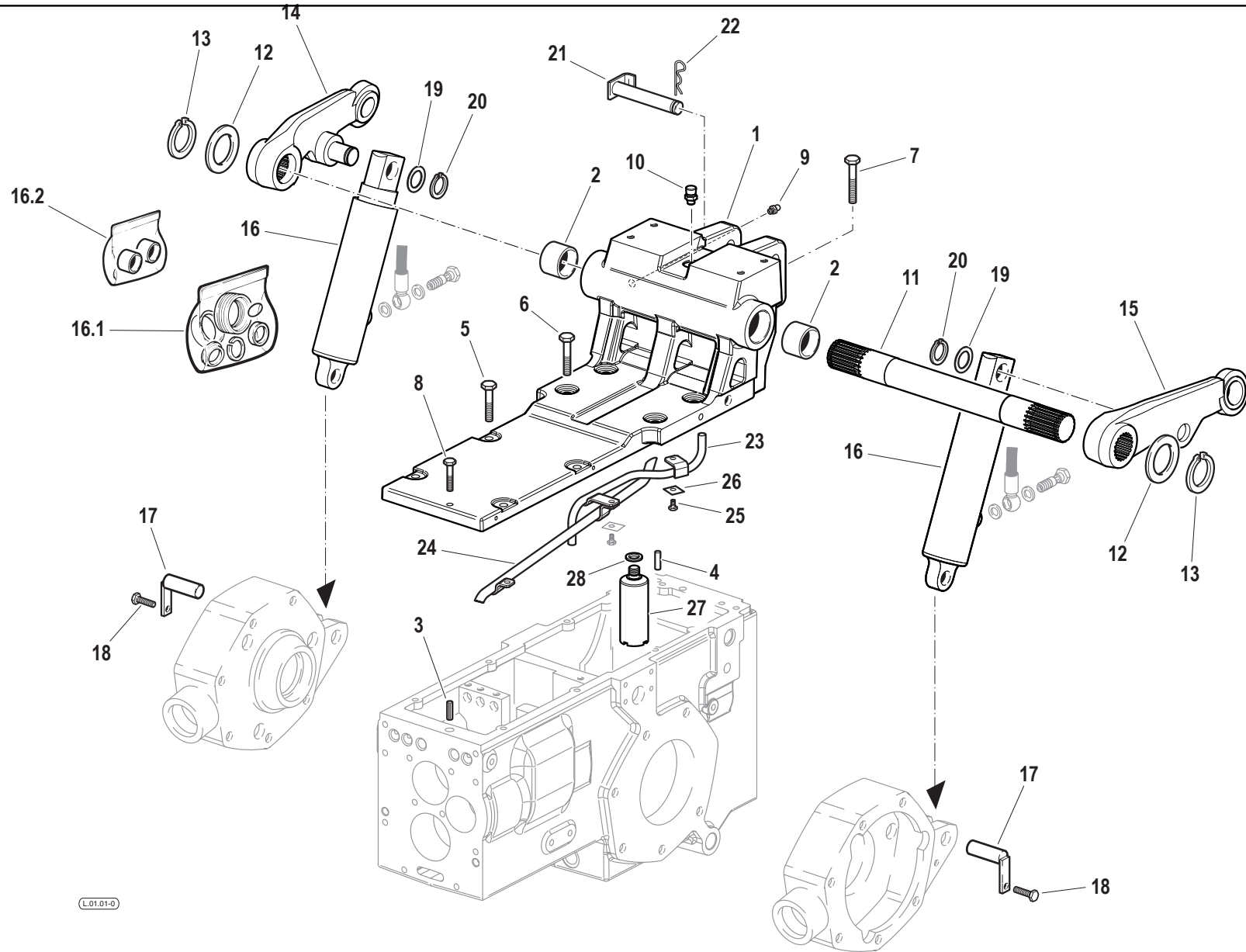
- VEDI TAVOLE GRUPPI...
 - SEE TABLES OF GROUPS...
 - VOIR TABLES GROUPES...
 - SIEHE GRUPPETAFFEL...
 - MIRAR TABLAS GRUPOS...



VEDI TAVOLE GRUPPO...
 SEE TABLES OF GROUP...
 VOIR TABLES GROUPE...
 SIEHE GRUPPETAFFEL...
 MIRAR TABLAS GRUPO...

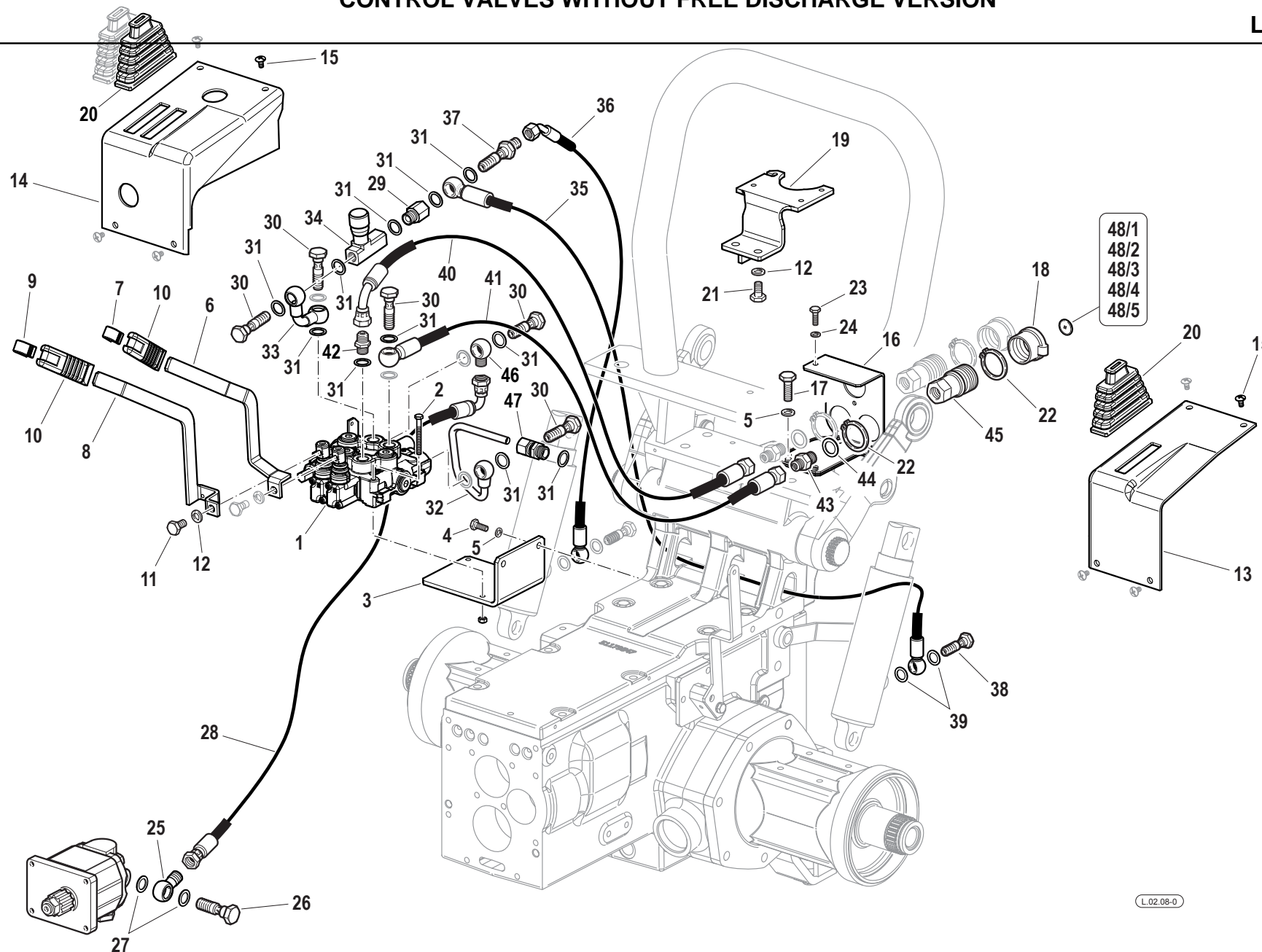


Pos.	Code	Q.ty	Description	Notes
1	58172011	1	S.A. VALVE	
2	58172014	1	D.A. VALVE	
3	58172012	1	D.A. VALVE	
4	581A0444	1	S.A. VALVE	
5	58172304	1	HEAD	
6	581A0443	1	IN HEAD	
7	58172489	1	COVER	
8	58173361	1	COVER	
9	581A0078	1	DISTRIBUTOR	
10	58175472	1	DISTRIBUTOR	



Pos.	Code	Q.ty	Description	Notes
1	51179547	1	2 EXTERNAL RAMS LIFT SUPPORT	
2	58175318	2	BUSHING	
3	56170017	1	PIN	
4	56370228	1	CYLINDRICAL PLUG	
5	31112211	4	SCREW TE M10X30 UNI 5739	
6	31112212	4	SCREW TE M10X35 UNI 5739	
7	F0863359000	4	SCREW M10X40 UNI 5737	
8	31112154	1	SCREW TE M8X40 UNI 5739 8G	
9	F0826056000	1	LUBRICATOR M10 UNI 7663A	
10	58075603	1	PLUG	
11	56579874	1	SHAFT	
12	31414400	2	WASHER 40	
13	F0801297050	2	SEEGER RING E 40x2,5 U/7436	
14	59079592	1	LIFTING ARM	
15	59079593	1	LIFTING ARM	
16	58179893	2	LIFTING CYLINDER	
16.1	58171737	1	GASKET SET	
16.2	58171736	1	BUSHINGS KIT	
17	59071786	2	HINGE PIN	
18	31111151	2	SCREW TE M8X16 UNI 5739 8G	
19	56349629	2	RING	
20	35131026	2	SEEGER RING E 25X2 UNI 7436	
21	59078588	1	CONNECTING BOLT	
22	F0851486000	1	SPLIT PIN	
23	590A0756	1	TUBO SFIATO 55-65	
24	59079728	1	TUBO LUBR.INVER.SINCR(A2346) *	
25	31112082	3	SCREW TE M6X12 UNI 5739 8G	
26	31450060	3	SMALL PLATE	
27	59271011	1	UNIT	
28	F0843948000	1	COPPER WASHER 14,0x20/1,5	

CONTROL VALVES WITHOUT FREE DISCHARGE VERSION



Pos.	Code	Q.ty	Description	Notes
1	581A0078	1	DISTRIBUTOR	
2	31111102	2	SCREW TE M6X50 UNI 5737 8G	
3	561A0002	1	RETAINER	
4	31112150	2	SCREW TE M8X20 UNI 5739 8G	
5	F0843643060	3	WASHER 8	
6	561A0003	1	DISTRIBUTOR LEVER	
7	58175188	1	INSERT	
8	561A0004	1	DISTRIBUTOR LEVER	
9	58175211	1	INSERT	
10	58175187	2	KNOB	
11	31112208	2	SCREW TE M10X16 UNI 5739	
12	F0843755000	4	WASHER 10	
13	573A0043	1	COVER	
14	573A0042	1	COVER	
15	F0861973100	8	SCREW M6X12 COMBI	
16	590A0091	1	STAFFA SX SUPP.G.RAP.55-65	
17	31111151	1	SCREW TE M8X16 UNI 5739 8G	
18	F0852550100	2	PLUG	
19	590A0093	1	SUPPORTING YOKE	
20	55178581	3	BELLOWS	
21	31112210	2	SCREW TE M10X20 UNI 5739	
22	F0801282000	4	SEEGER RING E 38 UNI 7435	
23	F0862129000	1	SCREW M6X18 UNI 5739 8.8	
24	F0843570000	1	WASHER 6	
25	561A0546	1	PIPE FITTING	
26	56172547	1	THREADED TERMINAL END	
27	F0824113000	2	COPPER WASHER 18X24/1,5	
28	580A0535	1	TUBO FLESS.POMPA/DISTR.55-65CV	
29	30000200	2	EXTENSION	
30	F0843109020	6	PIPE FITTING	
31	F0824110000	15	COPPER WASHER 3/8 GAS	
32	590A0562	1	TUBO SCAR.DISTR.DX 55-65-AR-	
33	590A0544	1	TUBO REGOLATORE FLUSSO 55-65	
34	P24117100000	1	VALVE	

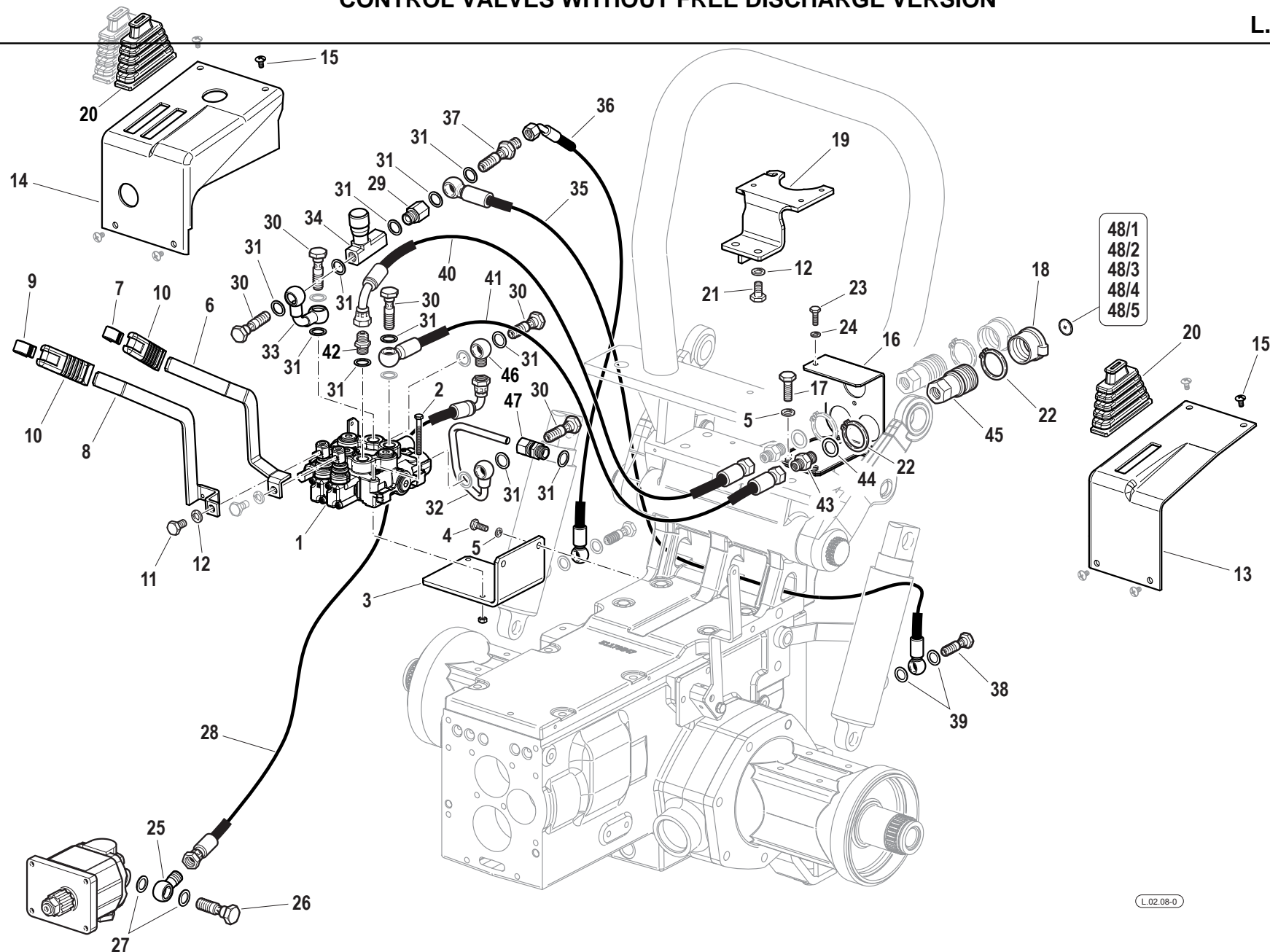
SERIAL

CONTROL VALVES WITHOUT FREE DISCHARGE VERSION

CODE REV

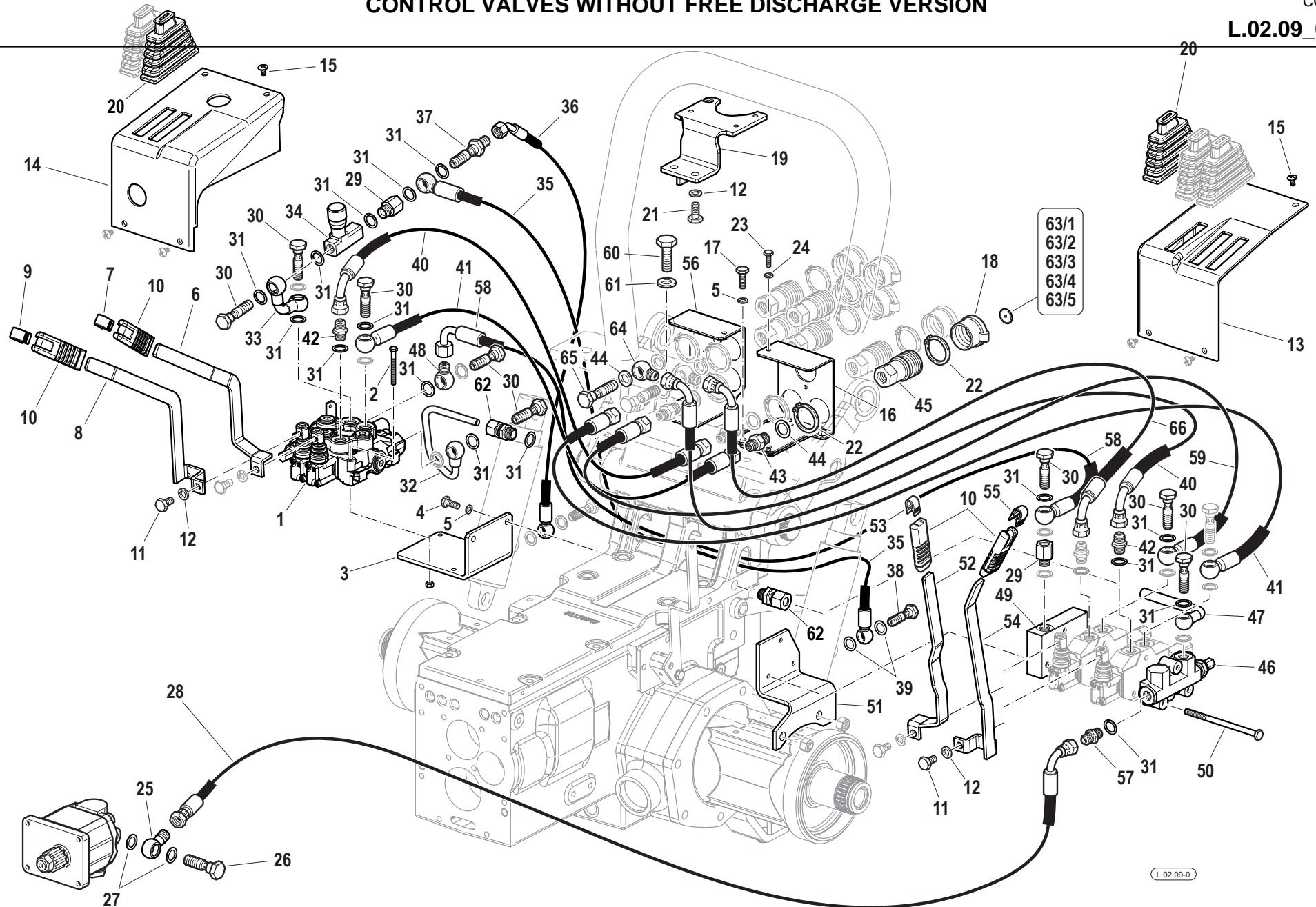
L.02.08_0_74307

CONTROL VALVES WITHOUT FREE DISCHARGE VERSION



Pos.	Code	Q.ty	Description	Notes
35	580A0533	1	TUBO FLESS.VALV/REGOL.55-65AR	
36	580A0534	1	TUBO FLESS.VALV.REGOL.55-65CV	
37	56375407	1	TONGUE	
38	F0843107000	2	PIPE FITTING GAS 1/4	
39	F0843907000	4	COPPER WASHER 13,66x19/1,5	
40	580A0528	1	TUBO FLESS.PRESA ANT.55-65CV	
41	580A0529	1	TUBO FLESS.PRESA POST.55-65CV	
42	F0835023000	1	NIPPLE	
43	F0835040000	2	NIPPLE	
44	F0824141000	2	COPPER WASHER 21x27/1,5	
45	F0825980030	2	COUPLING	
46	F0842505030	1	PIPE FITTING	
47	58172015	1	PIPE FITTING	
48/1	F0852550230	1	DECAL	
48/2	F0852550220	1	DECAL	
48/3	F0852550210	1	DECAL	
48/4	F0852550240	1	DECAL	
48/5	F0852550200	1	DECAL	

CONTROL VALVES WITHOUT FREE DISCHARGE VERSION



Pos.	Code	Q.ty	Description	Notes
1	581A0078	1	DISTRIBUTOR	
2	31111102	2	SCREW TE M6X50 UNI 5737 8G	
3	561A0002	1	RETAINER	
4	31112150	2	SCREW TE M8X20 UNI 5739 8G	
5	F0843643060	7	WASHER 8	
6	561A0003	1	DISTRIBUTOR LEVER	
7	58175188	1	INSERT	
8	561A0004	1	DISTRIBUTOR LEVER	
9	58175211	1	INSERT	
10	58175187	4	KNOB	
11	31112208	4	SCREW TE M10X16 UNI 5739	
12	F0843755000	6	WASHER 10	
13	573A0044	1	COVER	
14	573A0042	1	COVER	
15	F0861973100	8	SCREW M6X12 COMBI	
16	590A0091	1	STAFFA SX SUPP.G.RAP.55-65	
17	31111151	2	SCREW TE M8X16 UNI 5739 8G	
18	F0852550100	5	PLUG	
19	590A0093	1	SUPPORTING YOKE	
20	55178581	5	BELLOWS	
21	31112210	2	SCREW TE M10X20 UNI 5739	
22	F0801282000	10	SEEGER RING E 38 UNI 7435	
23	F0862129000	2	SCREW M6X18 UNI 5739 8.8	
24	F0843570000	2	WASHER 6	
25	561A0546	1	PIPE FITTING	
26	56172547	1	THREADED TERMINAL END	
27	F0824113000	2	COPPER WASHER 18X24/1,5	
28	580A0535	1	TUBO FLESS.POMPA/DISTR.55-65CV	
29	30000200	2	EXTENSION	
30	F0843109020	10	PIPE FITTING	
31	F0824110000	25	COPPER WASHER 3/8 GAS	
32	590A0562	1	TUBO SCAR.DISTR.DX 55-65-AR-	
33	590A0544	1	TUBO REGOLATORE FLUSSO 55-65	
34	P24117100000	1	VALVE	

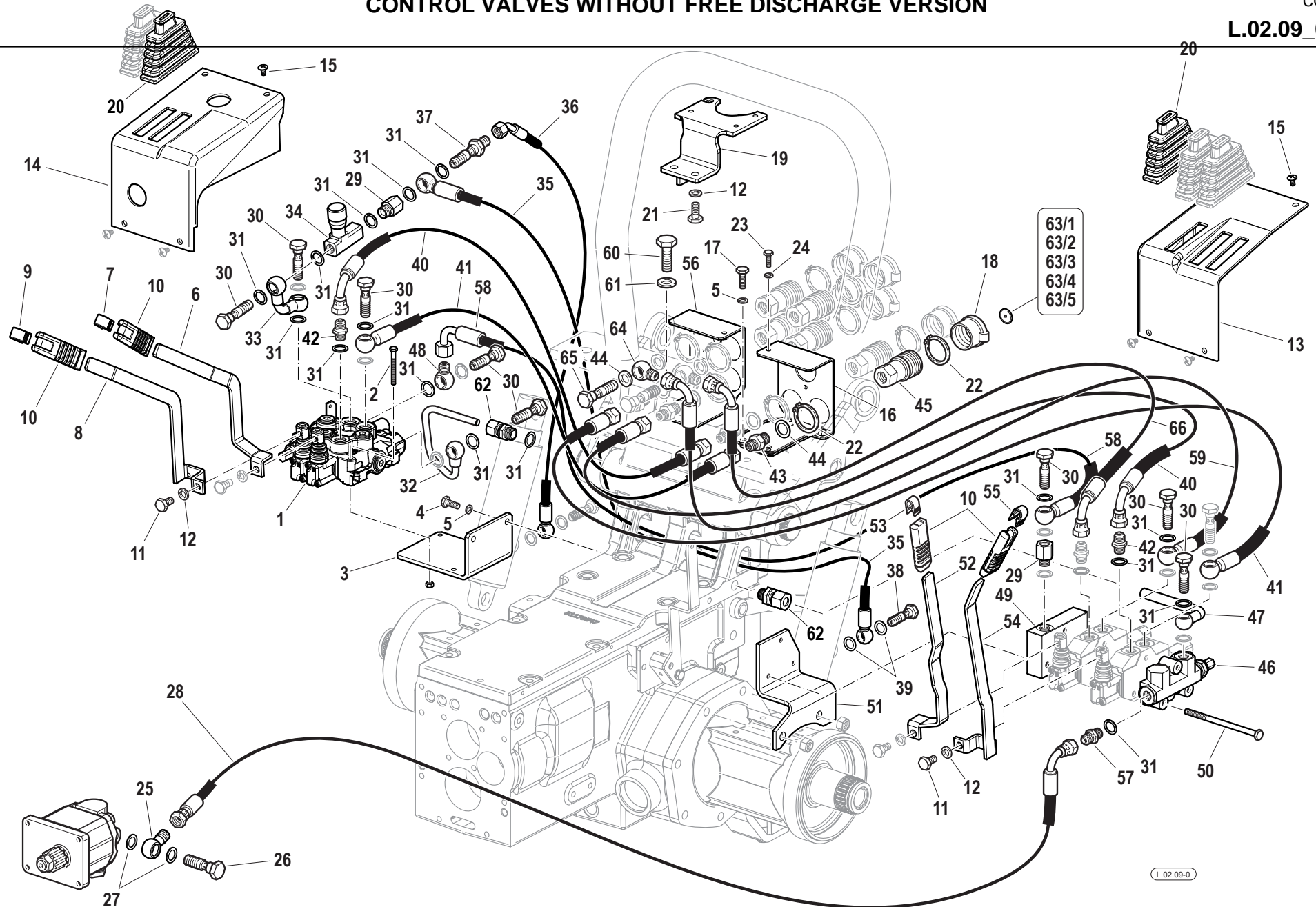
SERIAL

CONTROL VALVES WITHOUT FREE DISCHARGE VERSION

CODE REV

L.02.09_0_74355

CONTROL VALVES WITHOUT FREE DISCHARGE VERSION



Pos.	Code	Q.ty	Description	Notes
35	580A0533	1	TUBO FLESS.VALV/REGOL.55-65AR	
36	580A0534	1	TUBO FLESS.VALV.REGOL.55-65CV	
37	56375407	1	TONGUE	
38	F0843107000	2	PIPE FITTING GAS 1/4	
39	F0843907000	4	COPPER WASHER 13,66x19/1,5	
40	580A0528	2	TUBO FLESS.PRESA ANT.55-65CV	
41	580A0529	2	TUBO FLESS.PRESA POST.55-65CV	
42	F0835023000	2	NIPPLE	
43	F0835040000	5	NIPPLE	
44	F0824141000	5	COPPER WASHER 21x27/1,5	
45	F0825980030	5	COUPLING	
46	58172304	1	HEAD	
47	590A0563	1	TUBO SCAR.DISTR.SX 55-65-AR-	
48	F0842505030	1	PIPE FITTING	
49	58173361	1	COVER	
50	31112178	3	SCREW TE M8X130 UNI 5737	
51	56179956	1	RETAINER	
52	561A0005	1	DISTRIBUTOR LEVER	
53	58176867	1	INSERT	
54	561A0006	1	DISTRIBUTOR LEVER	
55	58176866	1	INSERT	
56	590A0089	1	BRACKET	
57	30000197	1	NIPPLE	
58	580A0530	1	TUBO FLESS.CARRY OVER 55-65/AR	
59	580A0526	1	TUBO FLESS.PRESA POST.55-65CV	
60	31112264	2	SCREW TE M12X35 UNI 5739	
61	F0843843060	2	WASHER 12	
62	58172015	2	PIPE FITTING	
63/1	F0852550230	1	DECAL	
63/2	F0852550220	1	DECAL	
63/3	F0852550210	1	DECAL	
63/4	F0852550240	1	DECAL	
63/5	F0852550200	1	DECAL	
64	F0835040030	1	PIPE FITTING	

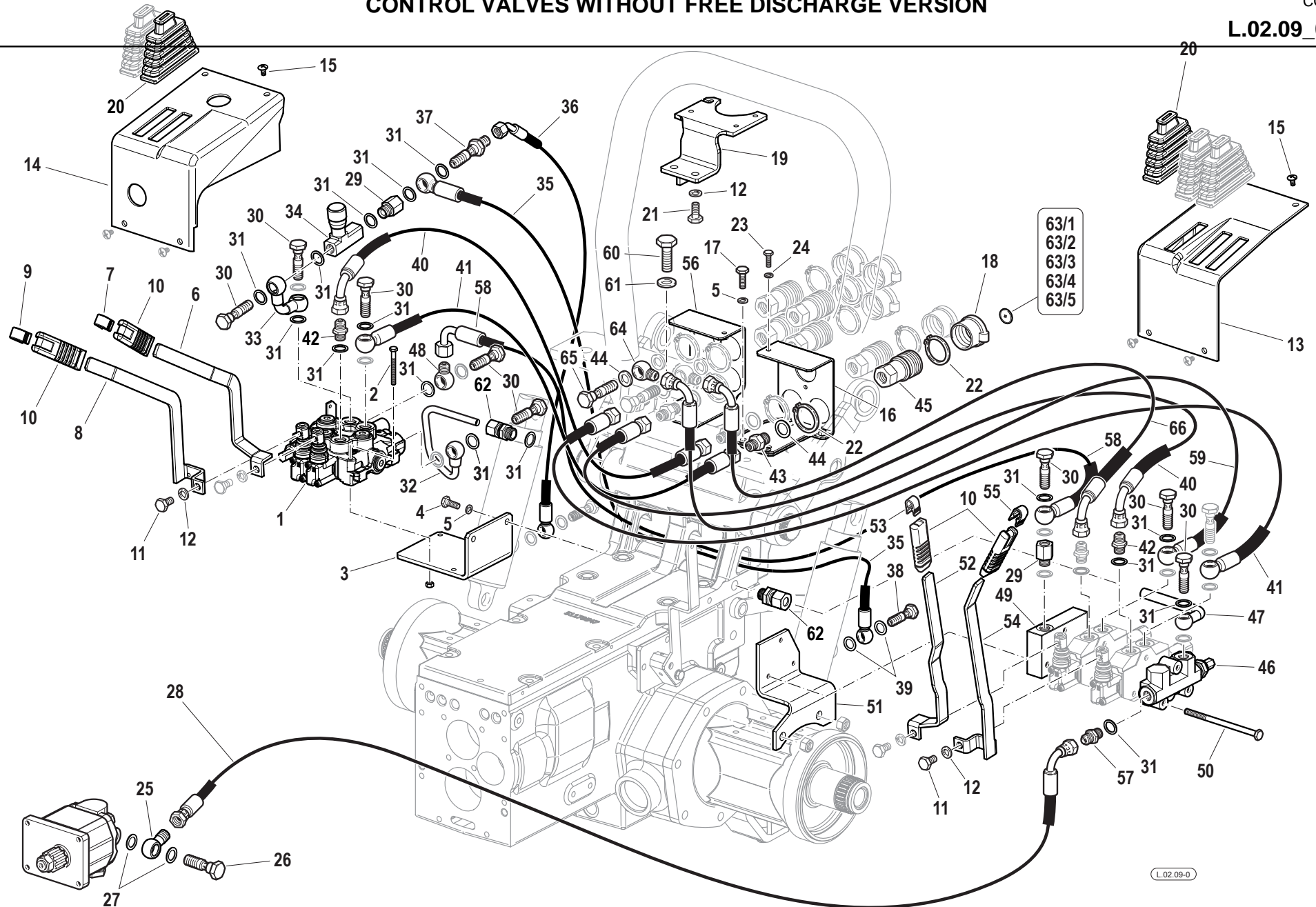
SERIAL

CONTROL VALVES WITHOUT FREE DISCHARGE VERSION

CODE REV

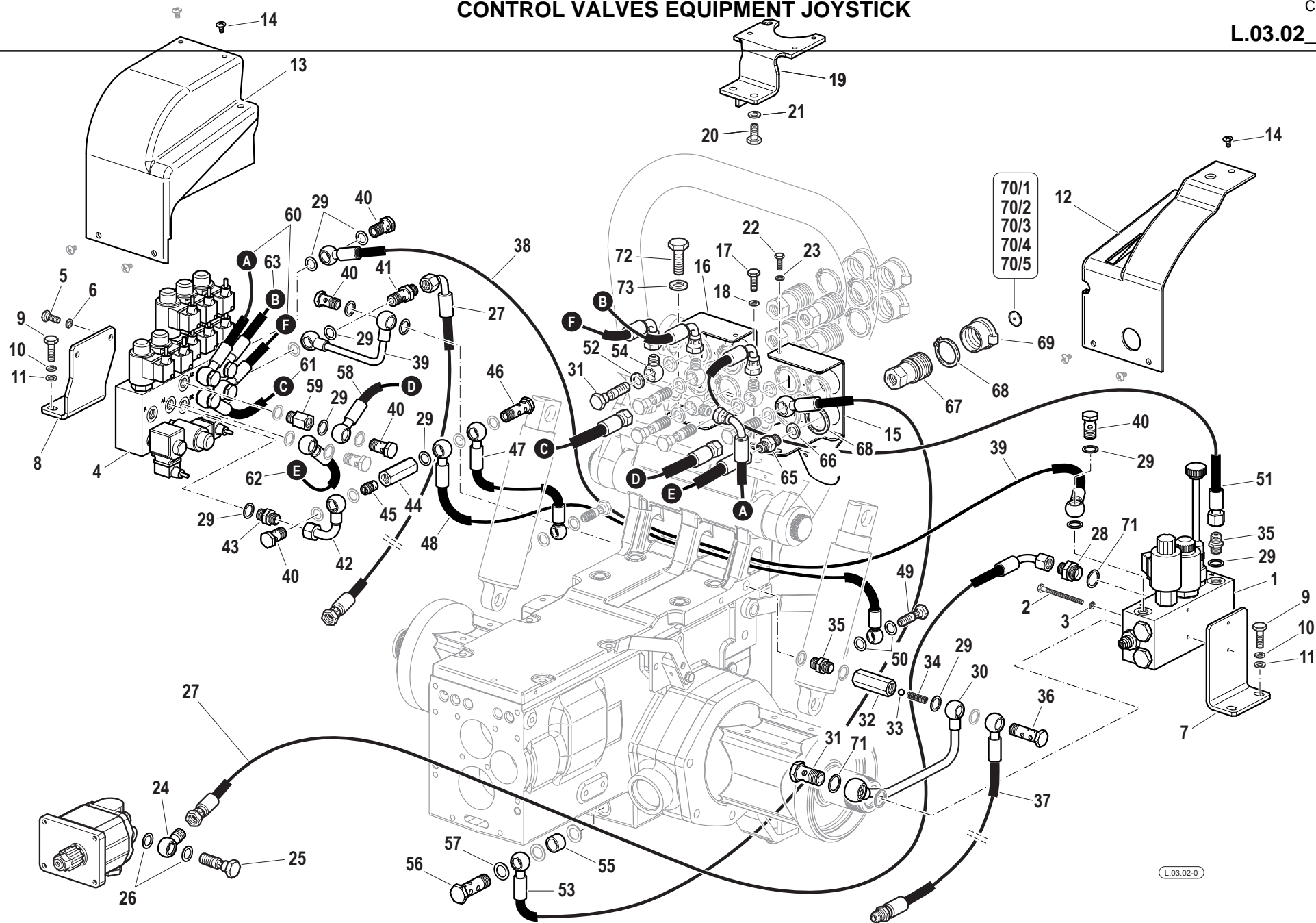
L.02.09_0_74355

CONTROL VALVES WITHOUT FREE DISCHARGE VERSION



Pos.	Code	Q.ty	Description	Notes
65	F0843116000	1	PIPE FITTING 1/2	
66	580A0527	1	TUBO FLESS.PRESA ANT.55-65CV	

CONTROL VALVES EQUIPMENT JOYSTICK



Pos.	Code	Q.ty	Description	Notes
1	58177765	1	LOCKING MECHANISM	
2	31112097	2	SCREW TE M6X70 UNI 5737 8G	
3	F0843570000	2	WASHER 6	
4	581A1079	1	BLOC.ELETTROV.55-65CV S09060-1	
5	31112146	2	SCREW TE M8X22 UNI 5739 8G	
6	F0843643060	2	WASHER 8	
7	560A1099	1	STAFFA SX VALV.PROP.55-65-JOY-	
8	560A1098	1	STAFFA DX ELETTROV.55-65-JOY-	
9	31112219	4	SCREW TE M10X25 UNI 5739	
10	F0843755000	4	WASHER 10	
11	31411105	4	WASHER 10,5x21	
12	573A1050	1	COVER	
13	573A1051	1	COVER	
14	F0861973100	9	SCREW M6X12 COMBI	
15	590A1215N	1	STAFFA SX G.R.7POLI55-65CVNERO	
16	590A1919N	1	STAFFA DX G.RAPIDI 55-65-NERA-	
17	31111151	2	SCREW TE M8X16 UNI 5739 8G	
18	F0843643060	2	WASHER 8	
19	590A0093	1	SUPPORTING YOKE	
20	31112210	2	SCREW TE M10X20 UNI 5739	
21	F0843755000	2	WASHER 10	
22	F0862129000	2	SCREW M6X18 UNI 5739 8.8	
23	F0843570000	2	WASHER 6	
24	561A0546	1	PIPE FITTING	
25	56172547	1	THREADED TERMINAL END	
26	F0824113000	2	COPPER WASHER 18X24/1,5	
27	580A0535	2	TUBO FLESS.POMPA/DISTR.55-65CV	
28	F0835037000	1	NIPPLE	
29	P99651000000	32	WASHER	
30	590A1095	1	TUBO SCAR.PROPORZ.55-65-JOY-	
31	F0843116000	6	PIPE FITTING 1/2	
32	560A1103	1	CORPO VALVOLA 55-65	
33	F0847462000	1	BALL RB-11.112	
34	580A1243	1	MOLLA VALVOLA BY-PASS 55-65	

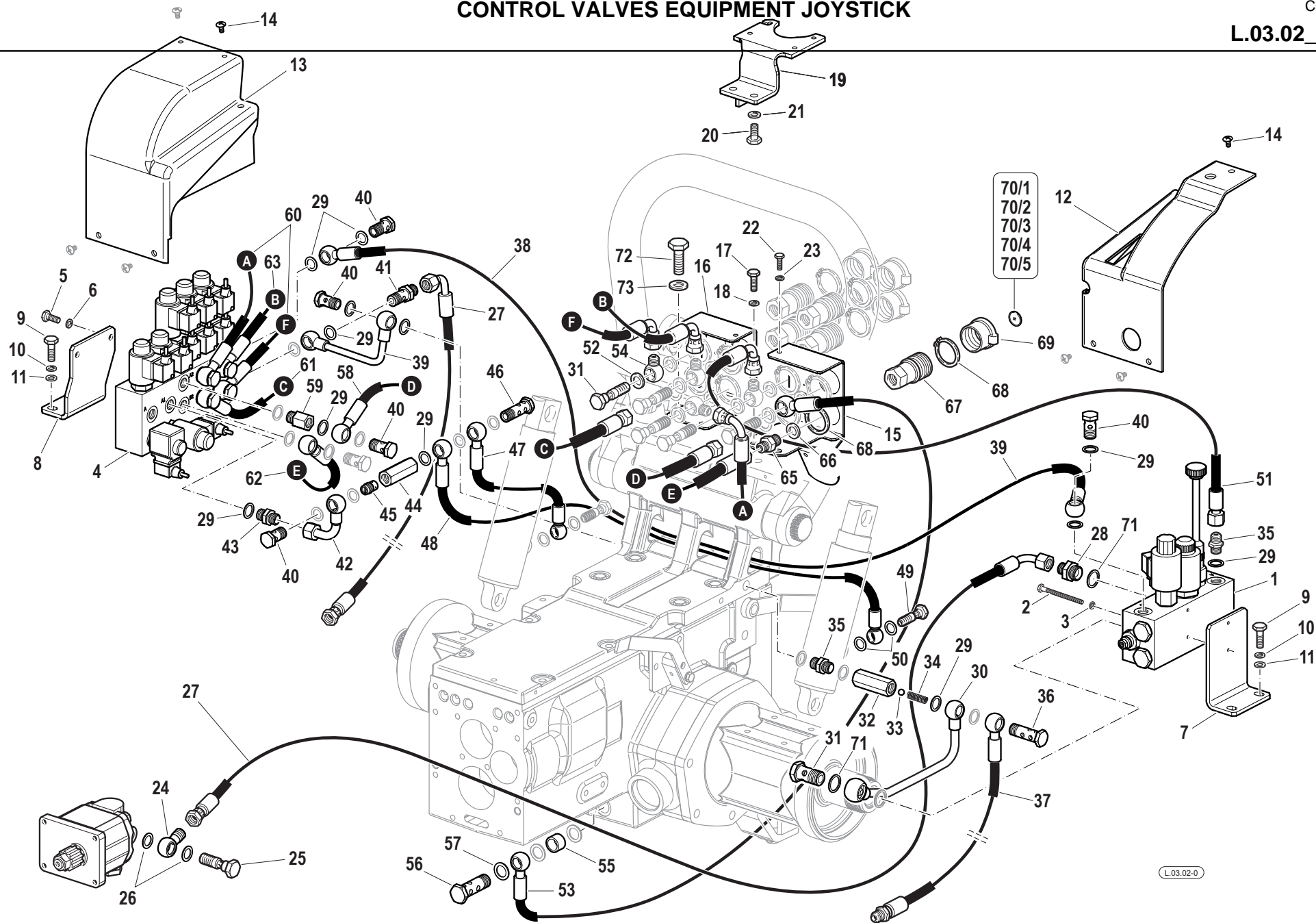
SERIAL

CONTROL VALVES EQUIPMENT JOYSTICK

CODE REV

L.03.02_0_80398

CONTROL VALVES EQUIPMENT JOYSTICK



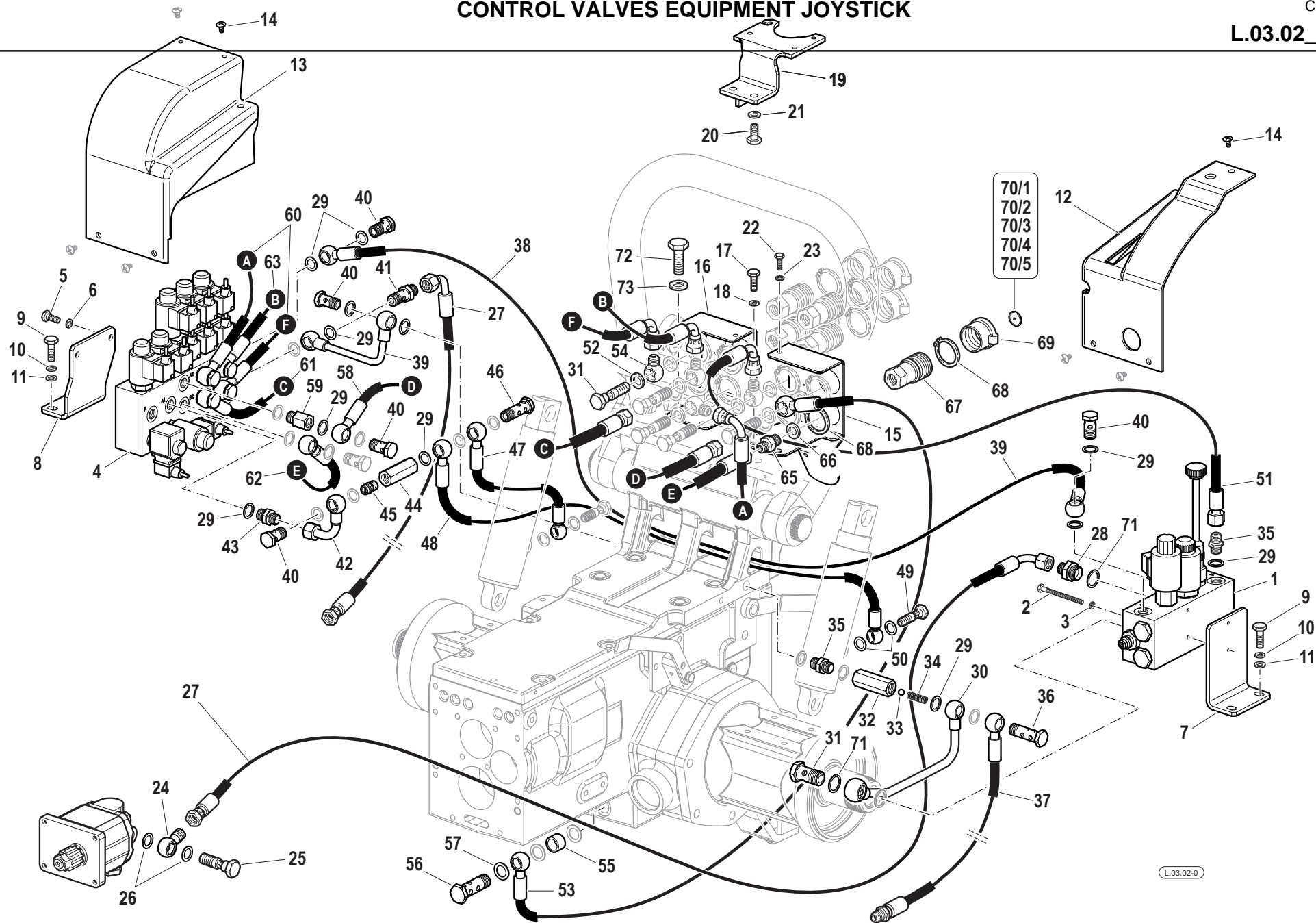
Pos.	Code	Q.ty	Description	Notes
35	30000197	1	NIPPLE	
36	58170693	1	PIPE FITTING	
37	580A1181	1	TUBO FLESS.POST.SCAMB.55-65CV	
38	580A1084	1	TUBO FLESS.G.P-G.E 55-65JOY	
39	590A1094	1	TUBO SCAR.ELETTROV.55-65-JOY-	
40	F0843109020	10	PIPE FITTING	
41	56373163	1	PIPE UNION	
42	590A1093	1	TUBO MANDATA CIL.55-65-JOY-	
43	58172015	1	PIPE FITTING	
44	58179546	1	SMALL COLUMN	
45	58177665	1	VALVE	
46	30000787	2	HOLLOW SCREW 18x1,5	
47	580A1085	1	TUBO FLESS.V.R-C.S DX 55-65JOY	
48	580A1090	1	TUBO FLESS.V.R-C.S.SX 55-65JOY	
49	F0843107000	2	PIPE FITTING GAS 1/4	
50	F0843907000	4	COPPER WASHER 13,66x19/1,5	
51	580A1091	1	TUBO FLESS.M.I-G.S SX 55-65JOY	
52	F0842512000	1	PIPE FITTING	
53	580A1231	1	TUBO FLESS.SCAR.LIB.55-65CVJOY	
54	F0824141000	4	COPPER WASHER 21x27/1,5	
55	561A1232	1	DIST.D.30x22,5/20 ZNT/B	
56	30000782	1	VITE FOR.DOPPIA 22x1,5(BFDM22)	
57	F0844273090	3	GASKET 22X28X1,5 CU 99,5	
58	580A1086	1	TUBO FLESS.B.E-G.I SX 55-65JOY	
59	30000200	1	EXTENSION	
60	580A1087	2	TUBO FLESS.B.E-G.S DX 55-65JOY	
61	580A1088	1	TUBO FLESS.B.E-G.I DX 55-65JOY	
62	580A1089	1	TUBO FLESS.B.E-G.I SX 55-65JOY	
63	580A1092	1	TUBO FLESS.B.E-G.S DX 55-65JOY	
64	F0835040030	3	PIPE FITTING	
65	F0835040000	3	NIPPLE	
66	F0824141000	9	COPPER WASHER 21x27/1,5	
67	F0825980030	8	COUPLING	
68	F0801282000	16	SEEGER RING E 38 UNI 7435	

SERIAL

CONTROL VALVES EQUIPMENT JOYSTICK

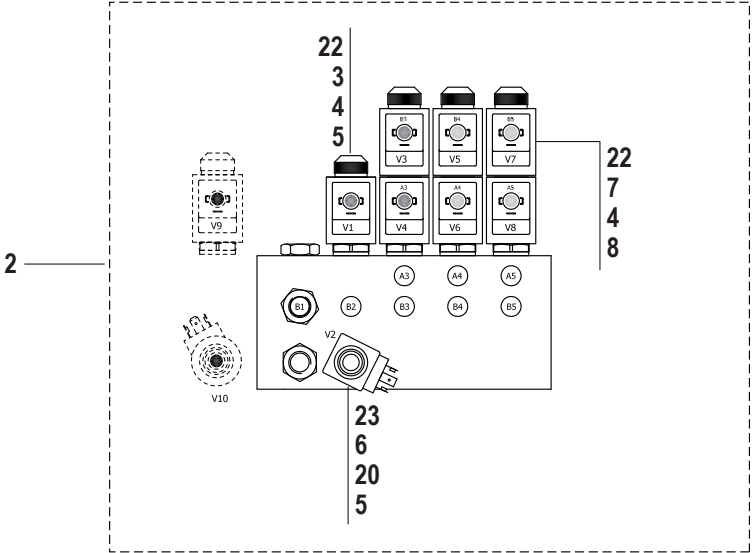
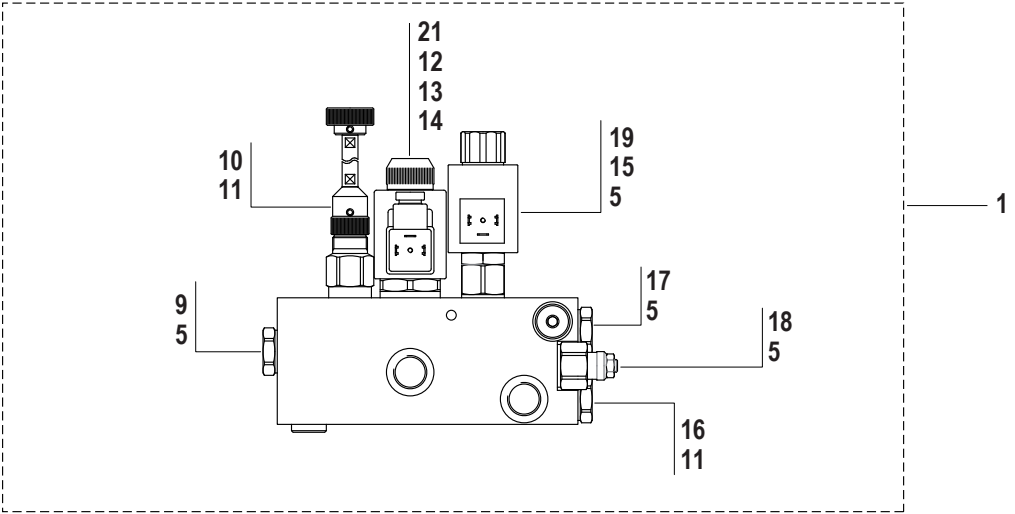
CODE REV

L.03.02_0_80398



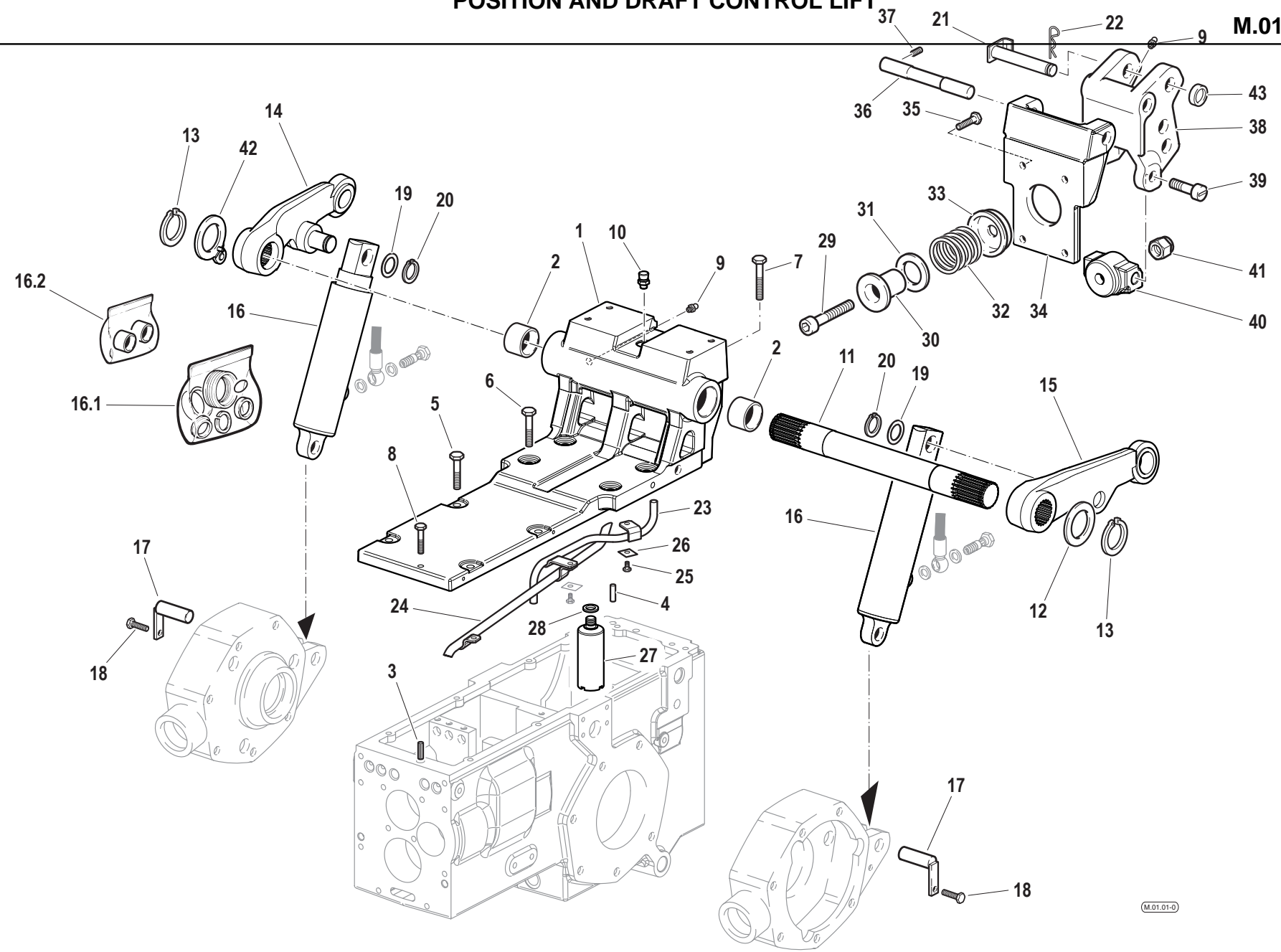
Pos.	Code	Q.ty	Description	Notes
69	F0852550100	8	PLUG	
70/1	F0852550210	1	DECAL	
70/2	F0852550230	1	DECAL	
70/3	F0852550200	1	DECAL	
70/4	F0852550240	1	DECAL	
70/5	F0852550220	1	DECAL	
71	P43929400000	3	WASHER	
72	31112264	2	SCREW TE M12X35 UNI 5739	
73	F0843843060	2	WASHER 12	

JOYSTICK DISTRIBUTOR ELECTRO VALVE



Pos.	Code	Q.ty	Description	Notes
1	58177765	1	LOCKING MECHANISM	
2	581A1079	1	BLOC.ELETTROV.55-65CV S09060-1	
3	59900861	1	ELECTRO VALVE	
4	59900862	1	COIL	
5	59900863	1	GASKET SET	
6	59900864	1	ELECTRO VALVE	
7	59900866	1	ELECTRO VALVE	
8	59900867	1	GASKET SET	
9	59900868	1	VALVE	
10	59900869	1	VALVE	
11	59900870	1	GASKET SET	
12	59900871	1	ELECTRO VALVE	
13	59900872	1	COIL	
14	59900873	1	GASKET SET	
15	59900875	1	COIL	
16	59900876	1	VALVE	
17	59900877	1	VALVE	
18	59900878	1	VALVE	
19	59906021	1	VALV.PROPOR. PSS (35011241)	
20	59906024	1	COIL	
21	59906029	1	RING NUT	
22	59906030	1	RING NUT	
23	59906031	1	RING NUT	

POSITION AND DRAFT CONTROL LIFT



Pos.	Code	Q.ty	Description	Notes
1	51179555	1	SUPP.SOLL.SFORZO CONTR.55-65CV	
2	58175318	2	BUSHING	
3	56170017	1	PIN	
4	56370228	1	CYLINDRICAL PLUG	
5	31112211	4	SCREW TE M10X30 UNI 5739	
6	31112212	4	SCREW TE M10X35 UNI 5739	
7	F0863359000	4	SCREW M10X40 UNI 5737	
8	31112154	1	SCREW TE M8X40 UNI 5739 8G	
9	F0826056000	2	LUBRICATOR M10 UNI 7663A	
10	58075603	1	PLUG	
11	56579874	1	SHAFT	
12	31414400	1	WASHER 40	
13	F0801297050	2	SEEGER RING E 40x2,5 U/7436	
14	59079592	1	LIFTING ARM	
15	59079593	1	LIFTING ARM	
16	58179893	2	LIFTING CYLINDER	
16.1	58171737	1	GASKET SET	
16.2	58171736	1	BUSHINGS KIT	
17	59071786	2	HINGE PIN	
18	31111151	2	SCREW TE M8X16 UNI 5739 8G	
19	56349629	2	RING	
20	35131026	2	SEEGER RING E 25X2 UNI 7436	
21	590A0586	1	CONNECTING BOLT	
22	F0851486000	1	SPLIT PIN	
23	590A0756	1	TUBO SFIATO 55-65	
24	59079728	1	TUBO LUBR.INVER.SINCR(A2346) *	
25	31112082	3	SCREW TE M6X12 UNI 5739 8G	
26	31450060	3	SMALL PLATE	
27	59271011	1	UNIT	
28	F0843948000	1	COPPER WASHER 14,0x20/1,5	
29	F0864322100	1	SCREW M14X1,5/70 UNI5932	
30	56072960	1	SLEEVE	
31	56372952	1	SHIM	
31	56372953	1	SHIM	

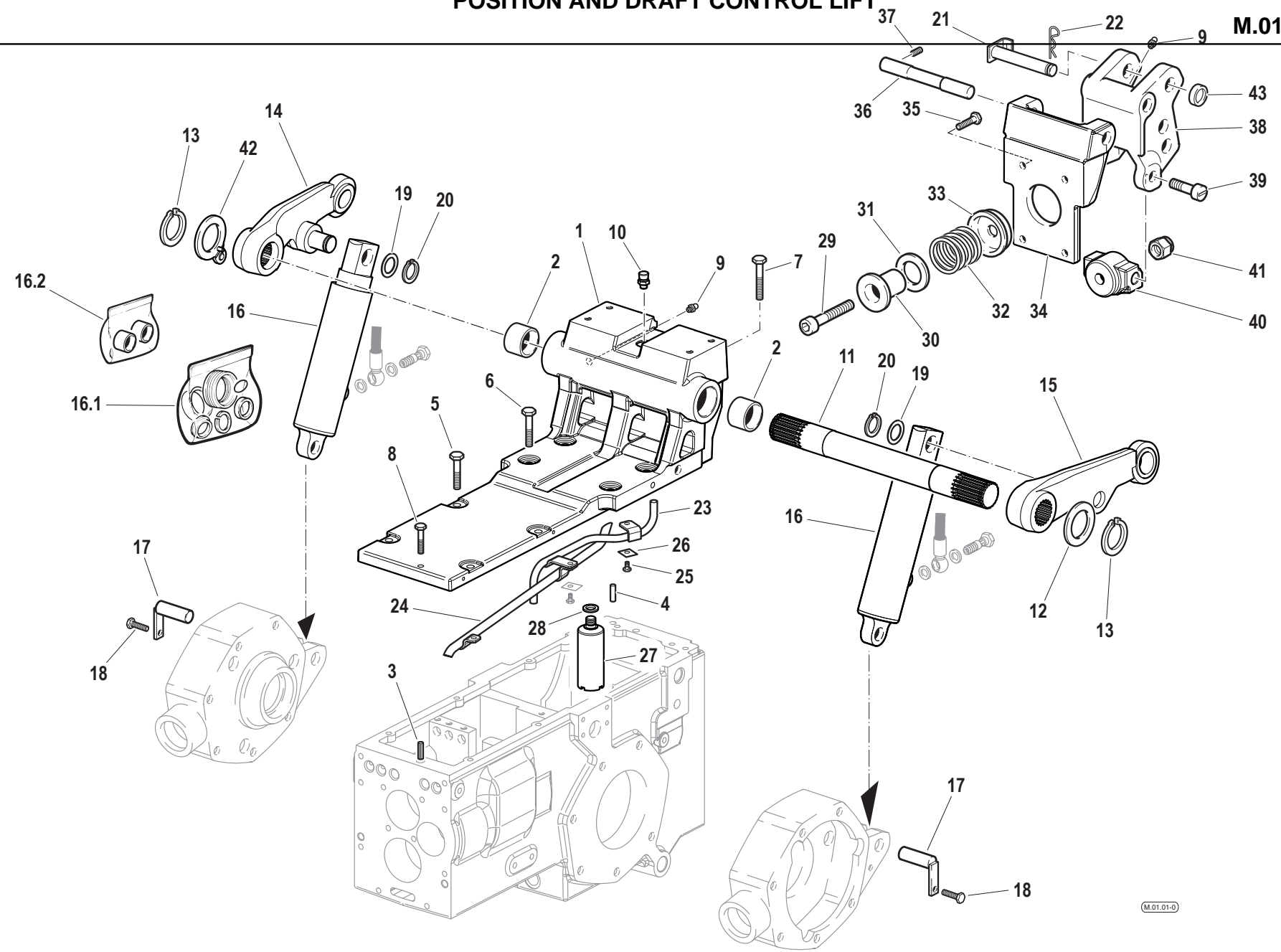
SERIAL

POSITION AND DRAFT CONTROL LIFT

CODE REV

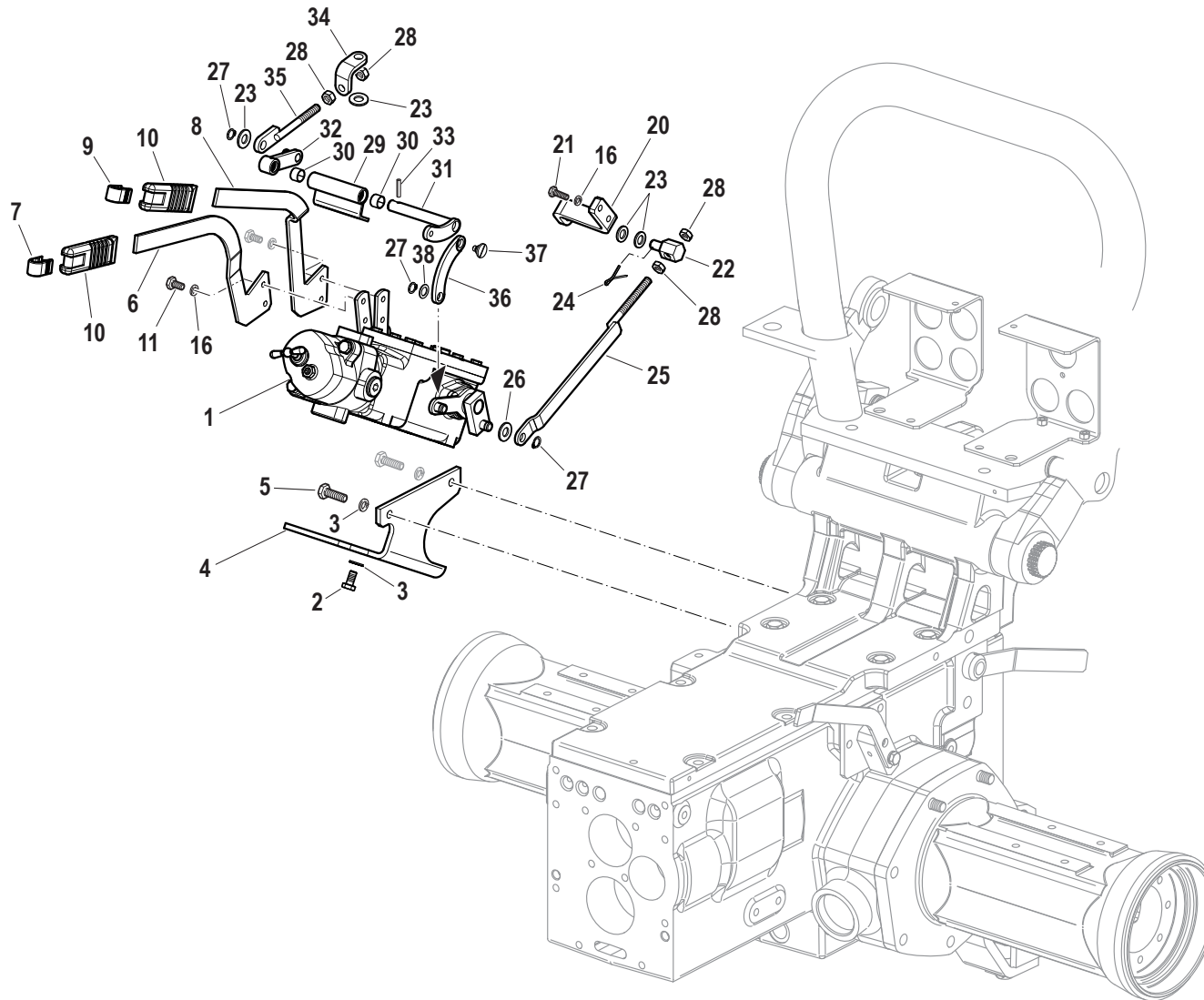
M.01.01_0_72462

POSITION AND DRAFT CONTROL LIFT



Pos.	Code	Q.ty	Description	Notes
31	56372954	1	SHIM	
31	56372955	1	SHIM	
32	58073192	1	SPRING	
33	56073148	1	SLEEVE	
34	51379585	1	BRACKET	
35	31112212	4	SCREW TE M10X35 UNI 5739	
36	56472318	1	HINGE PIN	
37	F0862443010	1	SCREW M8X10 UNI 5927	
38	51173115	1	THREE-POINT LINKAGE	
39	56572959	2	PIN	
40	51172962	1	SLEEVE	
41	31241142	1	SELFLOCK NUT M14x1,5	
42	590A0446	1	SHIM	
43	58071757	1	WASHER D.33x19,5/8	

POSITION DISTRIBUTOR LEVERS - MONITORED STRESS



Pos.	Code	Q.ty	Description	Notes
1	58175472	1	DISTRIBUTOR	
2	31111151	4	SCREW TE M8X16 UNI 5739 8G	
3	F0843643060	6	WASHER 8	
4	561A0448	1	FIXING BRACKET	
5	31112150	2	SCREW TE M8X20 UNI 5739 8G	
6	561A0476	1	LEVER	
7	58175188	1	INSERT	
8	561A0485	1	DISTRIBUTOR LEVER	
9	58175211	1	INSERT	
10	58175187	2	KNOB	
11	31111090	4	SCREW TE M5X10 UNI 5739 8G	
12	573A0036	1	COVER	
13	F0861973100	8	SCREW M6X12 COMBI	
14	590A0464	1	STAFFA FIX COPERT.MITA 55-65CV	
15	31112082	1	SCREW TE M6X12 UNI 5739 8G	
16	F0843570000	3	WASHER 6	
17	58177761	1	KNOB	
18	56075197	1	CLIP	
19	56077760	1	SMALL BLOCK	
20	56075473	1	BRACKET	
21	31112093	2	SCREW TE M6X20 UNI 5739 8G	
22	56075265	1	HINGE PIN	
23	31411104	4	WASHER 10,5x18	
24	34110030	1	SPLIT PIN	
25	590A0462	1	TIR.LEVA SFORZO MITA 55-65CV	
26	31411104	1	WASHER 10,5x18	
27	F0801050000	4	SEEGER RING E 10 UNI 7435	
28	F0814569000	4	NUT M8 UNI 5589 CL:8	
29	590A0454	1	RH HINGE	
30	P00000030911	2	BUSHING	
31	590A0451	1	LEVA RINV.POS.MITA 55-65CV	
32	590A0457	1	LEVA DX RINV.POS.MITA 55-65CV	
33	34213020	1	ROLL PIN	
34	563A0461	1	BRACKET	

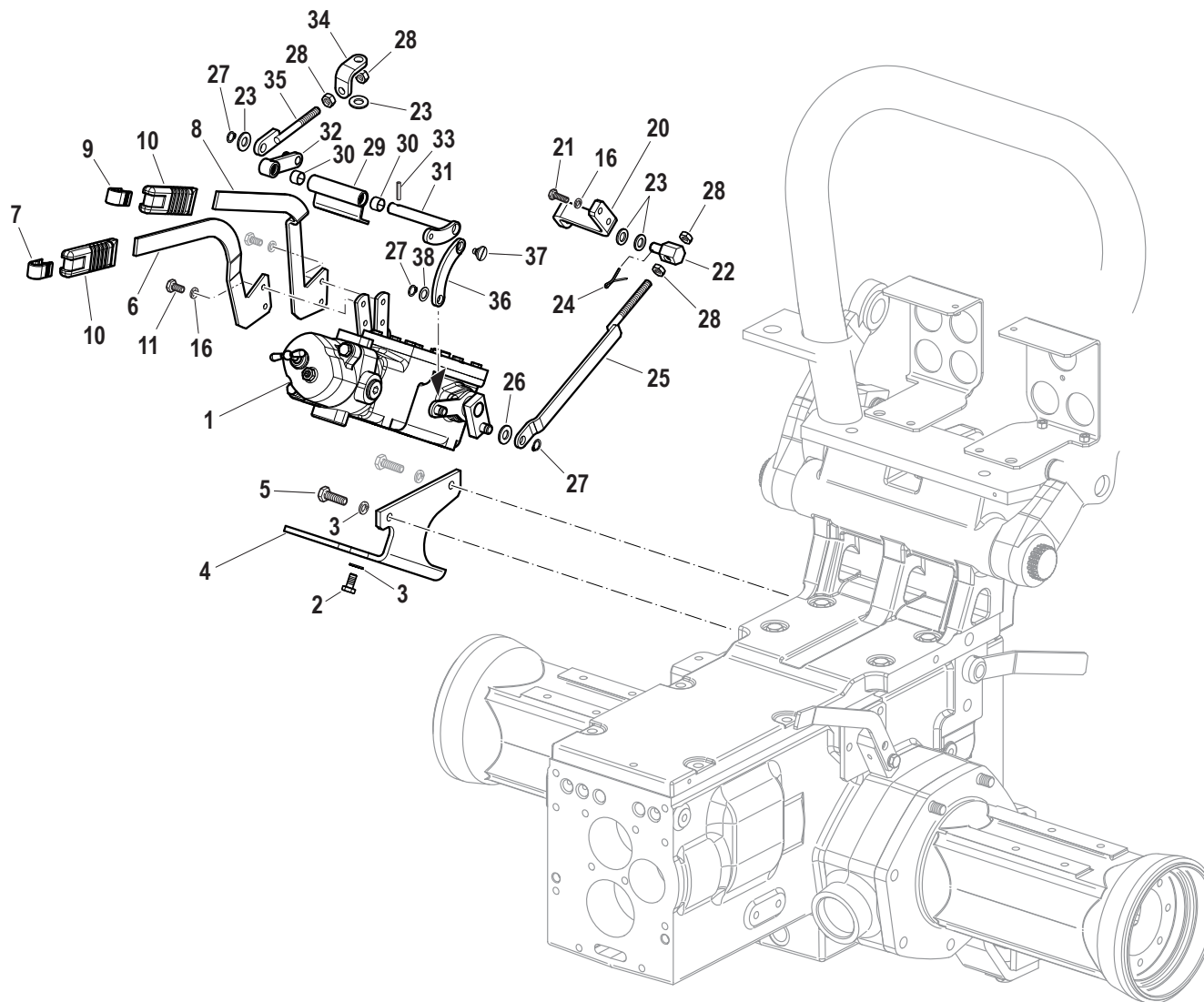
SERIAL

POSITION DISTRIBUTOR LEVERS - MONITORED STRESS

CODE REV

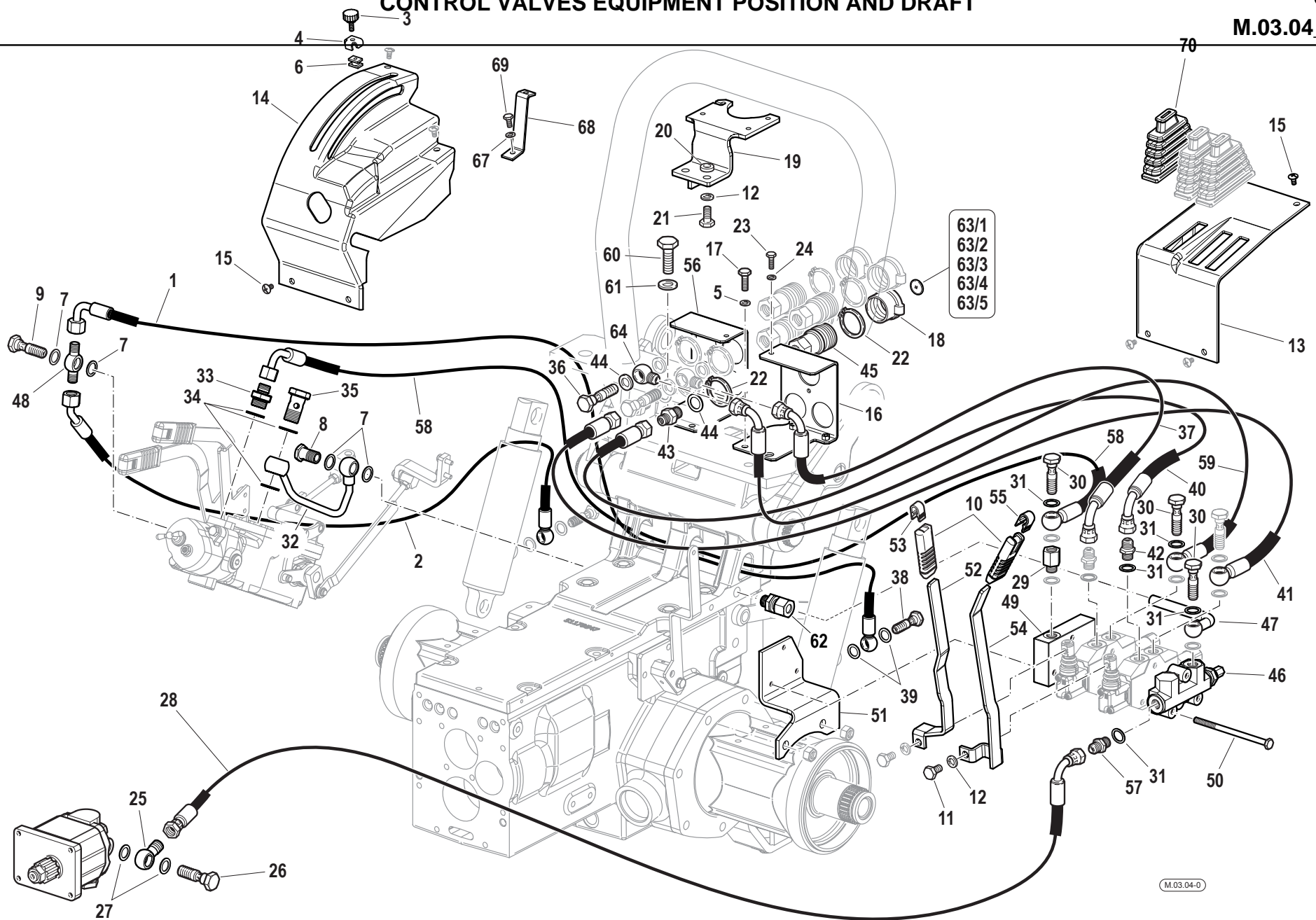
M.02.02_0_76124

POSITION DISTRIBUTOR LEVERS - MONITORED STRESS



Pos.	Code	Q.ty	Description	Notes
35	590A0638	1	TIR.LEVA POSIZ.55-65/MITA	
36	563A0449	1	STAFFA COLL.RINV.MITA 55-65CV	
37	563A0450	1	HINGE PIN	
38	F0843771000	1	COPPER WASHER 10,0x16/1	

CONTROL VALVES EQUIPMENT POSITION AND DRAFT



Pos.	Code	Q.ty	Description	Notes
1	580A0508	1	TUBO FLESS.DISTR.MITA 55-65CV	
2	580A0507	1	TUBO FLESS.DISTR.MITA 55-65CV	
3	58177761	1	KNOB	
4	56075197	1	CLIP	
5	F0843643060	3	WASHER 8	
6	56077760	1	SMALL BLOCK	
7	F0824110000	4	COPPER WASHER 3/8 GAS	
8	F0843109020	1	PIPE FITTING	
9	561A0550	1	THREADED TERMINAL END	
10	58175187	2	KNOB	
11	31112208	2	SCREW TE M10X16 UNI 5739	
12	F0843755000	4	WASHER 10	
13	573A0044	1	COVER	
14	573A0045	1	COVER	
15	F0861973100	8	SCREW M6X12 COMBI	
16	590A0091	1	STAFFA SX SUPP.G.RAP.55-65	
17	31111151	2	SCREW TE M8X16 UNI 5739 8G	
18	F0852550100	4	PLUG	
19	590A0093	1	SUPPORTING YOKE	
20	F0843818040	2	WASHER D.30x10,5/5	
21	31112219	2	SCREW TE M10X25 UNI 5739	
22	F0801282000	8	SEEGER RING E 38 UNI 7435	
23	F0862129000	2	SCREW M6X18 UNI 5739 8.8	
24	F0843570000	3	WASHER 6	
25	561A0546	1	PIPE FITTING	
26	56172547	1	THREADED TERMINAL END	
27	F0824113000	2	COPPER WASHER 18X24/1,5	
28	580A0535	1	TUBO FLESS.POMPA/DISTR.55-65CV	
29	30000200	2	EXTENSION	
30	F0843109020	4	PIPE FITTING	
31	F0824110000	9	COPPER WASHER 3/8 GAS	
32	590A0564	1	TUBO SCARICO MITA 55-65	
33	F0835037000	1	NIPPLE	
34	F0824141000	3	COPPER WASHER 21x27/1,5	

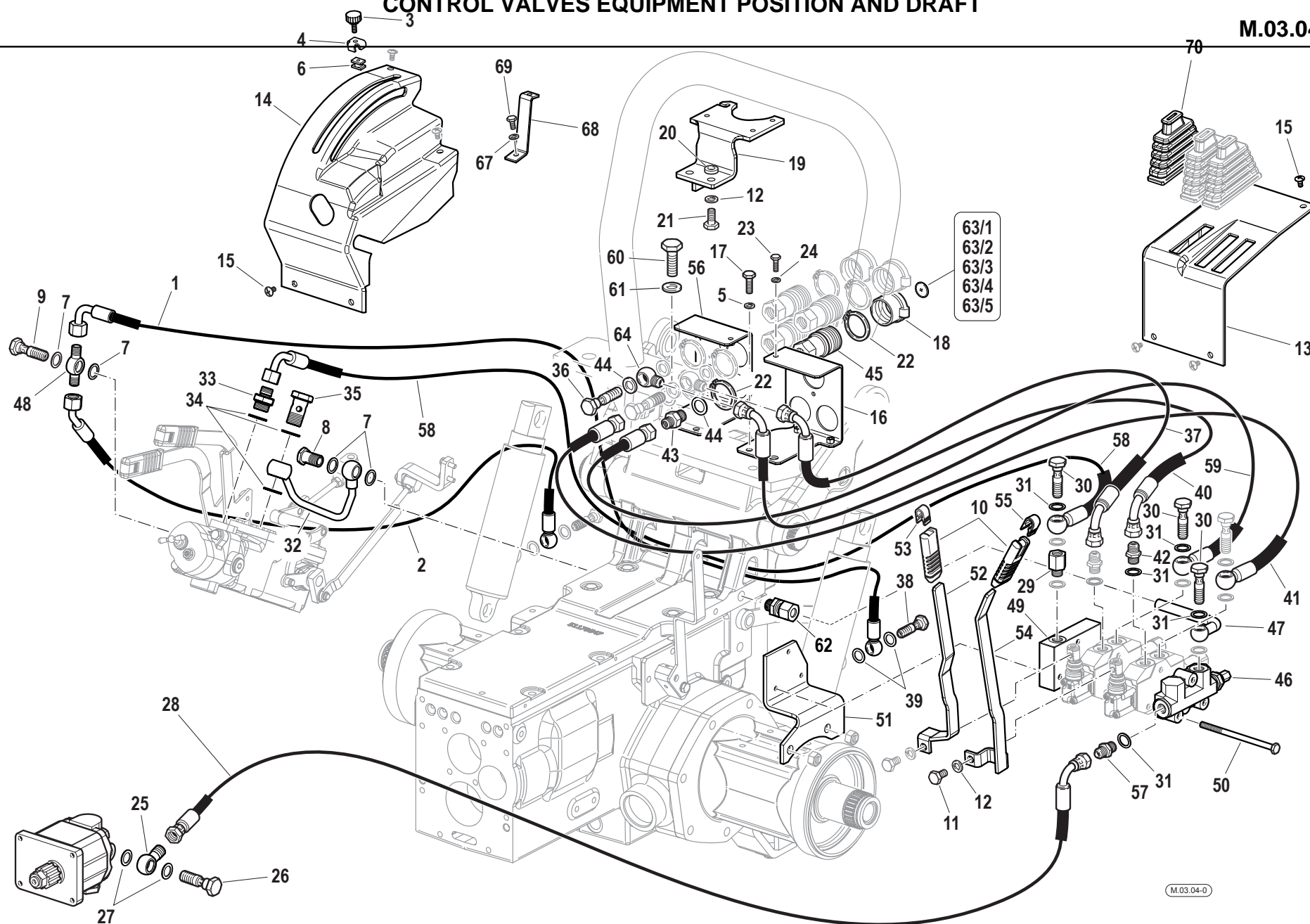
SERIAL

CONTROL VALVES EQUIPMENT POSITION AND DRAFT

CODE REV

M.03.04_0_76502

CONTROL VALVES EQUIPMENT POSITION AND DRAFT



Pos.	Code	Q.ty	Description	Notes
35	F0843116000	1	PIPE FITTING 1/2	
36	F0843116000	2	PIPE FITTING 1/2	
37	580A0527	1	TUBO FLESS.PRESA ANT.55-65CV	
38	F0843107000	2	PIPE FITTING GAS 1/4	
39	F0843907000	4	COPPER WASHER 13,66x19/1,5	
40	580A0528	2	TUBO FLESS.PRESA ANT.55-65CV	
41	580A0529	2	TUBO FLESS.PRESA POST.55-65CV	
42	F0835023000	2	NIPPLE	
43	F0835040000	2	NIPPLE	
44	F0824141000	2	COPPER WASHER 21x27/1,5	
45	F0825980030	4	COUPLING	
46	58172304	1	HEAD	
47	590A0563	1	TUBO SCAR.DISTR.SX 55-65-AR-	
48	561A0549	1	PIPE FITTING	
49	58173361	1	COVER	
50	31112178	3	SCREW TE M8X130 UNI 5737	
51	56179956	1	RETAINER	
52	561A0005	1	DISTRIBUTOR LEVER	
53	58176867	1	INSERT	
54	561A0006	1	DISTRIBUTOR LEVER	
55	58176866	1	INSERT	
56	590A0089	1	BRACKET	
57	30000197	1	NIPPLE	
58	580A0497	1	TUBO FLESS.CARRY OVER 55-65CV	
59	580A0526	1	TUBO FLESS.PRESA POST.55-65CV	
60	31112264	2	SCREW TE M12X35 UNI 5739	
61	F0843843060	2	WASHER 12	
62	58172015	2	PIPE FITTING	
63/1	F0852550230	1	DECAL	
63/2	F0852550220	1	DECAL	
63/3	F0852550210	1	DECAL	
63/4	F0852550240	1	DECAL	
63/5	F0852550200	1	DECAL	
64	F0835040030	1	PIPE FITTING	

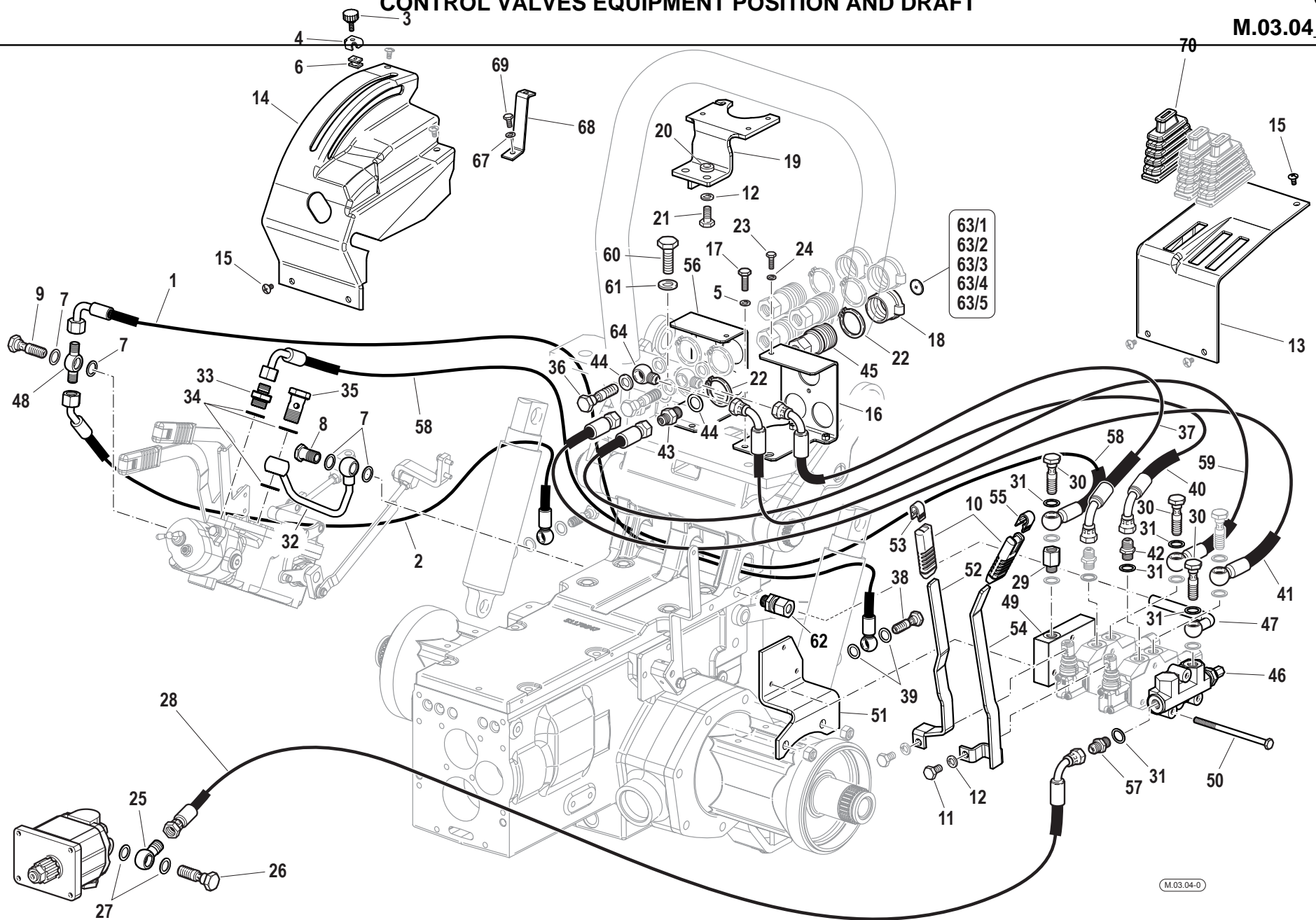
SERIAL

CONTROL VALVES EQUIPMENT POSITION AND DRAFT

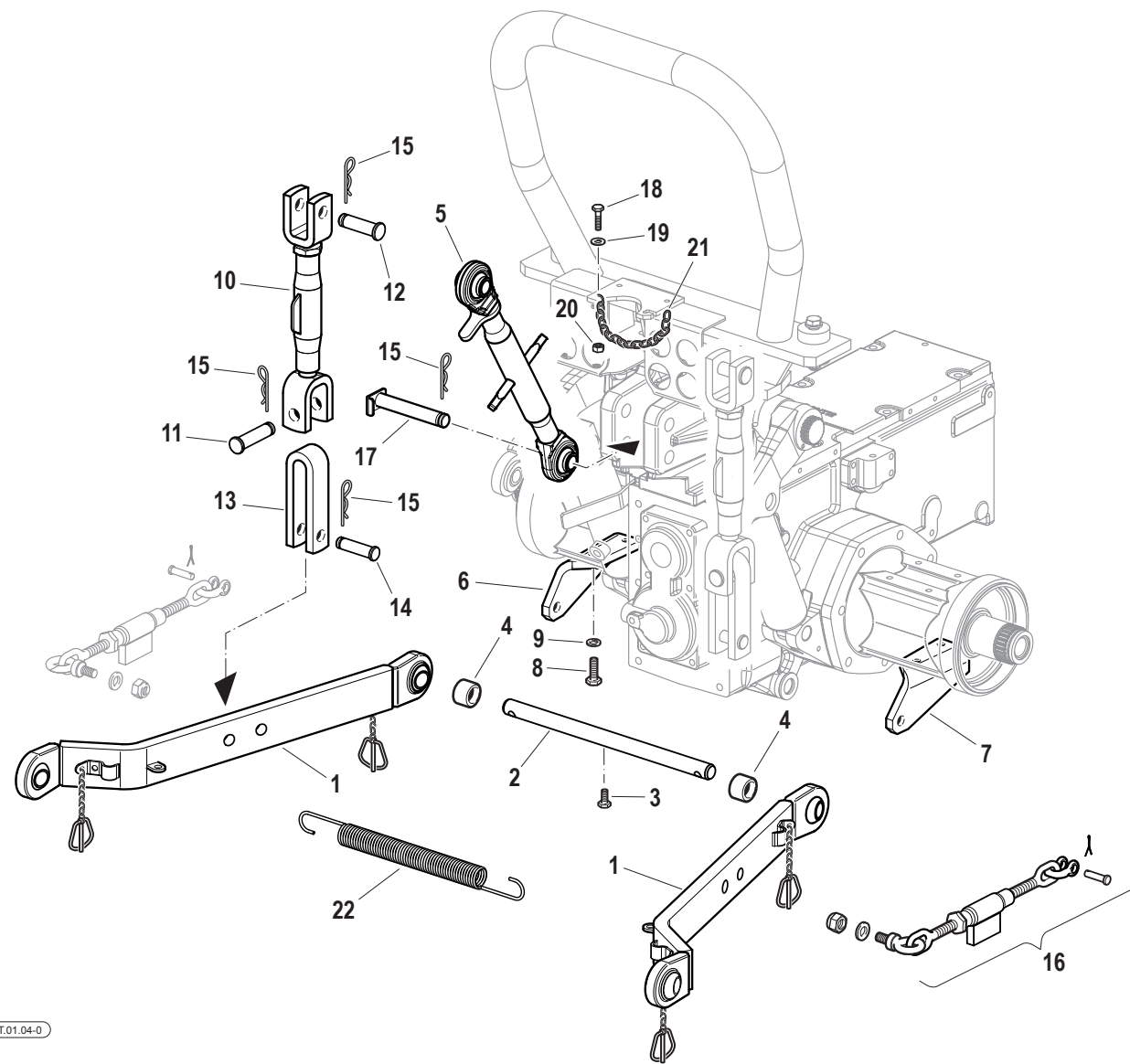
CODE REV

M.03.04_0_76502

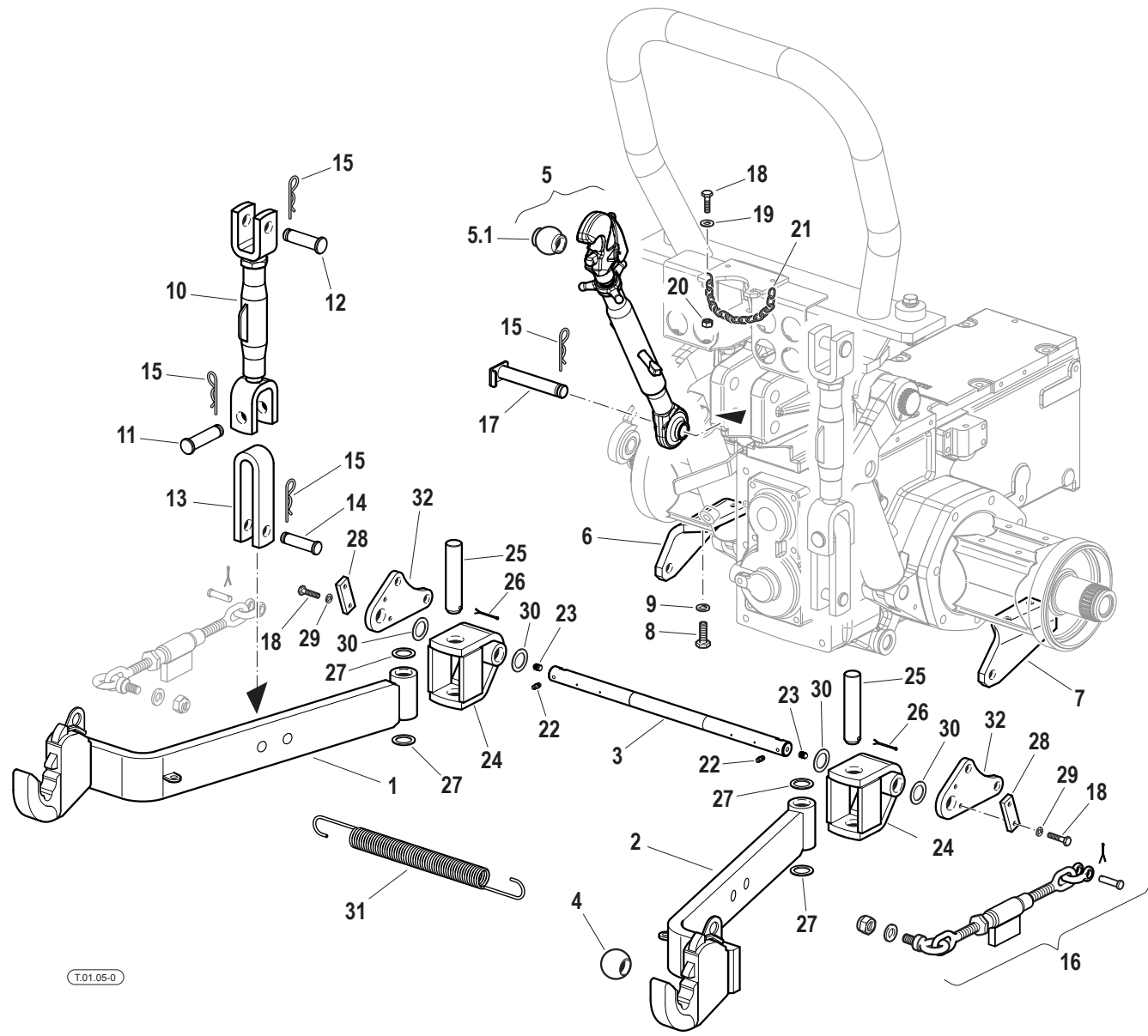
CONTROL VALVES EQUIPMENT POSITION AND DRAFT



Pos.	Code	Q.ty	Description	Notes
65	590A0464	1	STAFFA FIX COPERT.MITA 55-65CV	
66	31112082	1	SCREW TE M6X12 UNI 5739 8G	
67	F0843570000	2	WASHER 6	
68	590A0464	1	STAFFA FIX COPERT.MITA 55-65CV	
69	31112082	1	SCREW TE M6X12 UNI 5739 8G	
70	55178581	3	BELLOWS	



Pos.	Code	Q.ty	Description	Notes
1	58079788	2	BOTTOM LINK	
2	56571824	1	PIN	
3	31111151	1	SCREW TE M8X16 UNI 5739 8G	
4	F0844283020	2	SPACER D.38x22/22	
5	58079817	1	3-POINT HITCH	
6	56074233	1	SUPPORT	
7	56074234	1	SUPPORT	
8	31112211	4	SCREW TE M10X30 UNI 5739	
9	F0843755000	4	WASHER 10	
10	58079790	2	ROD	
11	58071755	2	PIN	
12	58072642	2	PIN	
13	56179791	2	BRACKET	
14	56372086	2	PIN	
15	F0851486000	7	SPLIT PIN	
16	58071998	2	ROD	
17	59078588	1	CONNECTING BOLT	
18	31112093	1	SCREW TE M6X20 UNI 5739 8G	
19	31411066	1	WASHER 6,6x18	
20	31241060	1	SELFLOCK NUT M6	
21	58076369	1	CHAIN	
22	58072465	1	RETAINING SPRING	



Pos.	Code	Q.ty	Description	Notes
1	58079786	1	LIFTING ARM	
2	58079787	1	LIFTING ARM	
3	56579895	1	CONNECTING BAR	
4	58175783	2	JOINT	
5	58079818	1	3-POINT HITCH	
5.1	581A1066	1	ROTULA CAT.1(31.0249.00.0)	
6	56074233	1	SUPPORT	
7	56074234	1	SUPPORT	
8	31112211	6	SCREW TE M10X30 UNI 5739	
9	F0843755000	6	WASHER 10	
10	58079790	2	ROD	
11	58071755	2	PIN	
12	58072642	2	PIN	
13	56179791	2	BRACKET	
14	56372086	2	PIN	
15	F0851486000	7	SPLIT PIN	
16	58071998	2	ROD	
17	59078588	1	CONNECTING BOLT	
18	31112093	5	SCREW TE M6X20 UNI 5739 8G	
19	31411066	1	WASHER 6,6x18	
20	31241060	1	SELFLOCK NUT M6	
21	58076369	1	CHAIN	
22	F0826016000	2	LUBRICATOR M6 UNI 7663A	
23	58179399	2	PLUG	
24	59079792	2	FORK	
25	56379808	2	HINGE PIN	
26	34110051	2	SPLIT PIN	
27	56349629	4	RING	
28	56179896	2	CLAMPING PLATE	
29	F0843570000	2	WASHER 6	
30	F0844283050	4	SPACER D.32x22,5/3	
31	58072465	1	RETAINING SPRING	
32	56179825	2	CONNECTING PLATE	

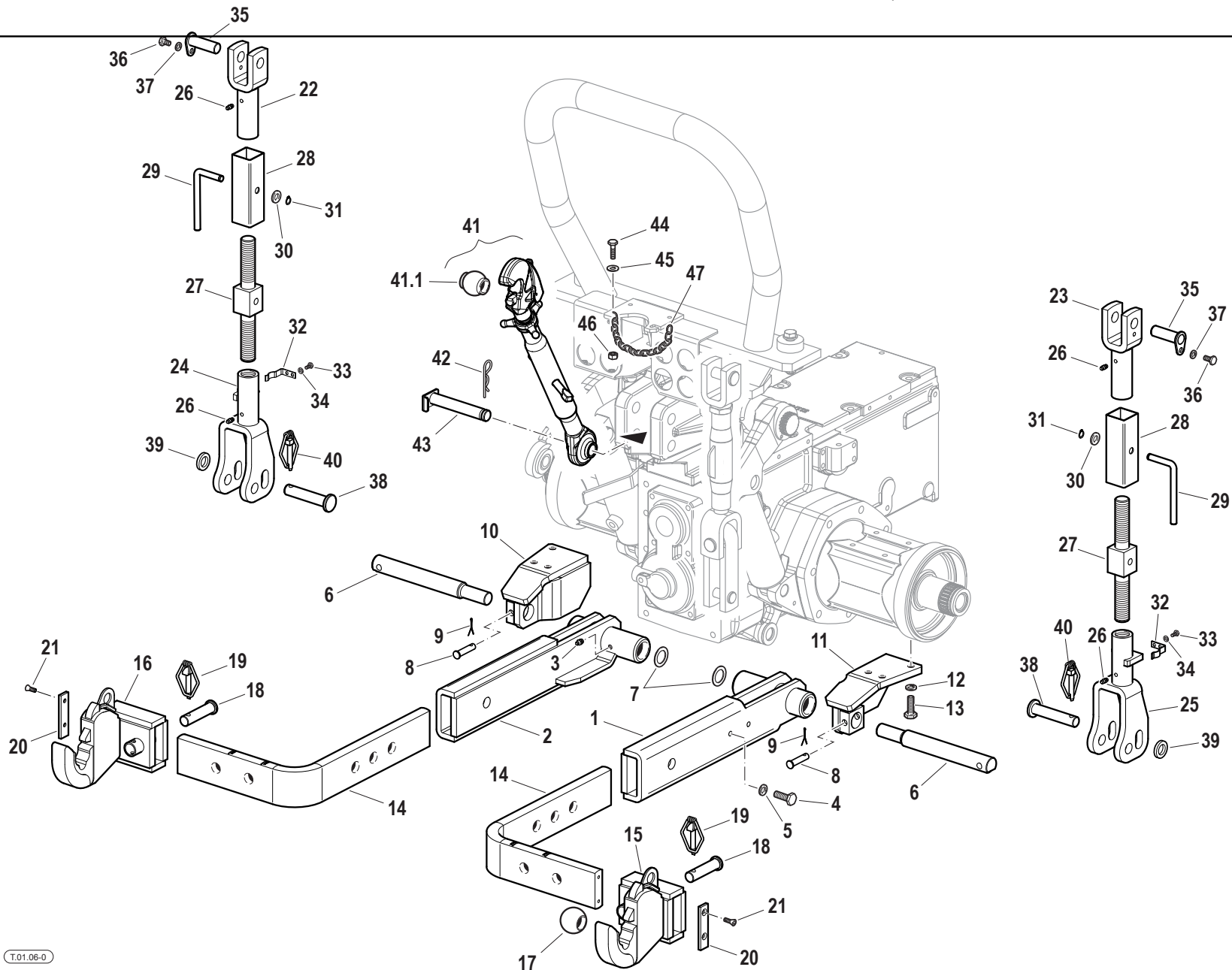
SERIAL

IMPLEMENTS ATTACHMENT - WITH QUICK HITCHES

CODE REV

T.01.05_0_71661

IMPLEMENTS ATTACHMENT - ADJUSTABLE ARMS WITH QUICK HITCHES



Pos.	Code	Q.ty	Description	Notes
1	590A0950	1	HOLDER	
2	590A0954	1	HOLDER	
3	F0826056000	2	LUBRICATOR M10 UNI 7663A	
4	31112210	2	SCREW TE M10X20 UNI 5739	
5	F0843755000	2	WASHER 10	
6	565A0971	2	HINGE PIN	
7	31411212	2	WASHER 23x39/3	
8	580A0972	2	PIN	
9	34110030	2	SPLIT PIN	
10	590A0980	1	SUPPORT	
11	590A0982	1	SUPPORT	
12	31112211	6	SCREW TE M10X30 UNI 5739	
13	F0843755000	6	WASHER 10	
14	563A0956	2	ARM	
15	590A0957	1	DEVICE COUPLING	
16	590A0960	1	DEVICE COUPLING	
17	58175783	2	JOINT	
18	56179473	2	LOCKING BOLT	
19	34240085	2	PIN	
20	560A1025	2	SMALL PLATE	
21	31132562	4	SCREW TSVEI M6X16 UNI 5933	
22	590A0964	1	FORK	
23	590A0963	1	FORK	
24	590A0968	1	FORK	
25	590A0969	1	FORK	
26	F0826016000	4	LUBRICATOR M6 UNI 7663A	
27	560A1027	2	ROD	
28	560A1028	2	TUBO QUADRO 40x40/2 55-65	
29	560A1029	2	LEVA REGISTRO TIRANTE 55-65	
30	31411105	2	WASHER 10,5x21	
31	F0801050000	2	SEEGER RING E 10 UNI 7435	
32	580A1026	2	SPRING	
33	31111089	4	SCREW TE M5X10 UNI 5739 8G	
34	F0843561000	4	WASHER 5	

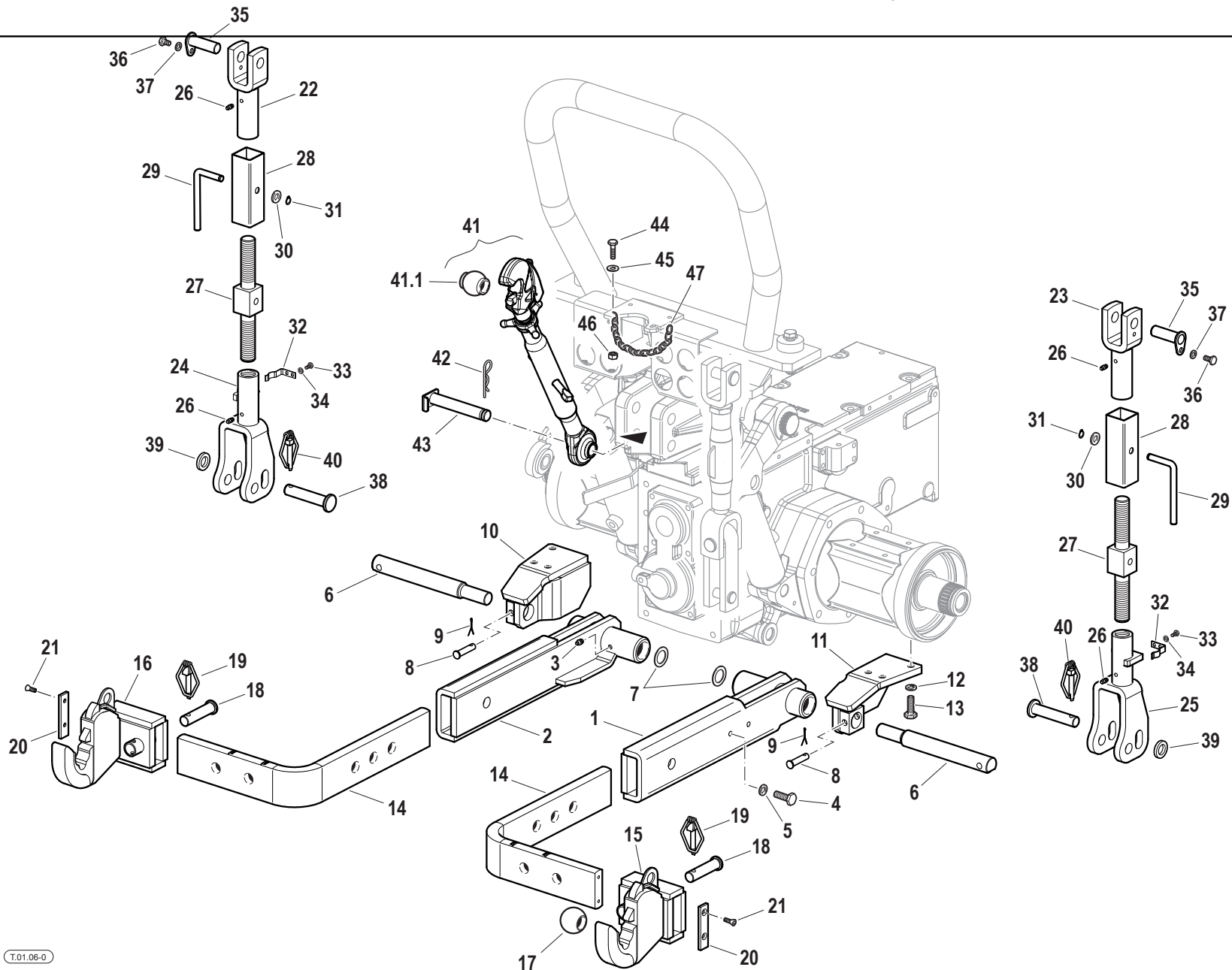
SERIAL

IMPLEMENTS ATTACHMENT - ADJUSTABLE ARMS WITH QUICK HITCHES

CODE REV

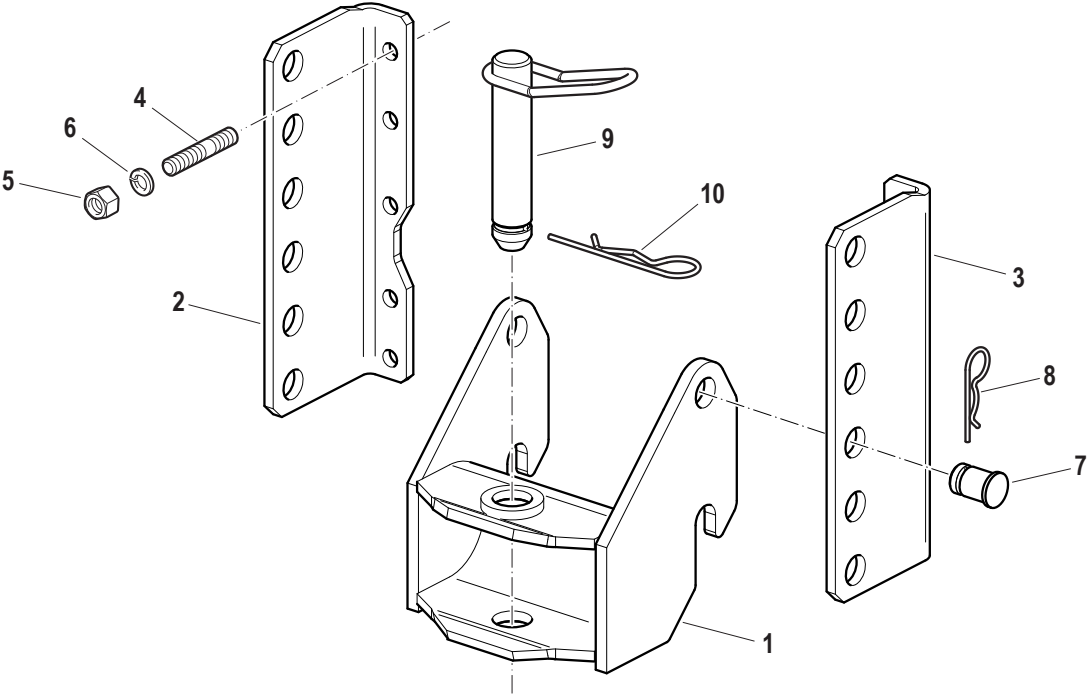
T.01.06_0_71844

IMPLEMENTS ATTACHMENT - ADJUSTABLE ARMS WITH QUICK HITCHES

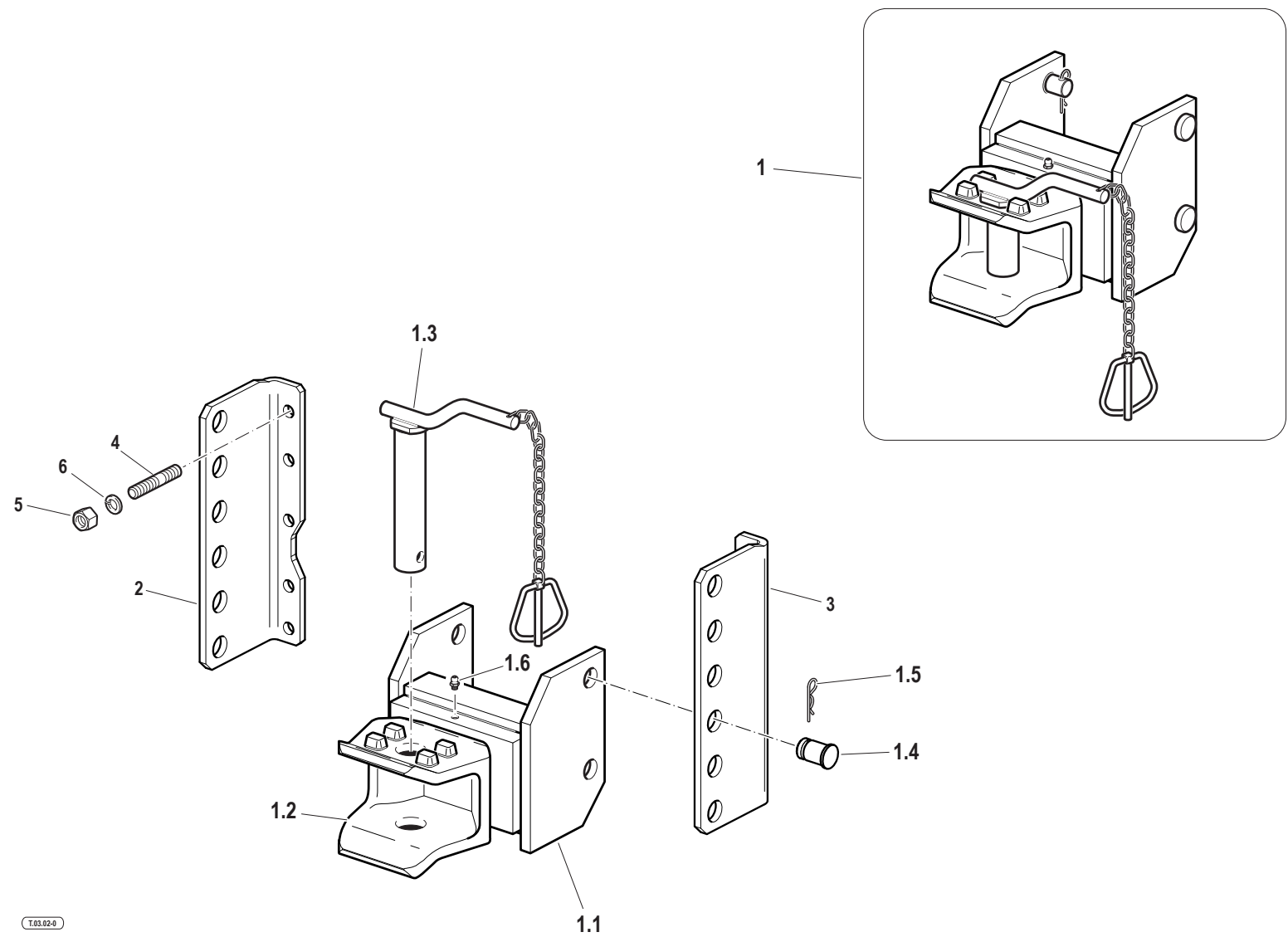


Pos.	Code	Q.ty	Description	Notes
35	590A1030	2	PIN	
36	31112149	2	SCREW TE M8X12 UNI 5739 8G	
37	F0843643060	2	WASHER 8	
38	563A0970	2	PIN	
39	F0844150000	2	WASHER D.30x18,5/5	
40	34240085	2	PIN	
41	58079818	1	3-POINT HITCH	
41.1	581A1066	1	ROTULA CAT.1(31.0249.00.0)	
42	F0851486000	7	SPLIT PIN	
43	59078588	1	CONNECTING BOLT	
44	31112093	5	SCREW TE M6X20 UNI 5739 8G	
45	31411066	1	WASHER 6,6x18	
46	31241060	1	SELFLOCK NUT M6	
47	58076369	1	CHAIN	

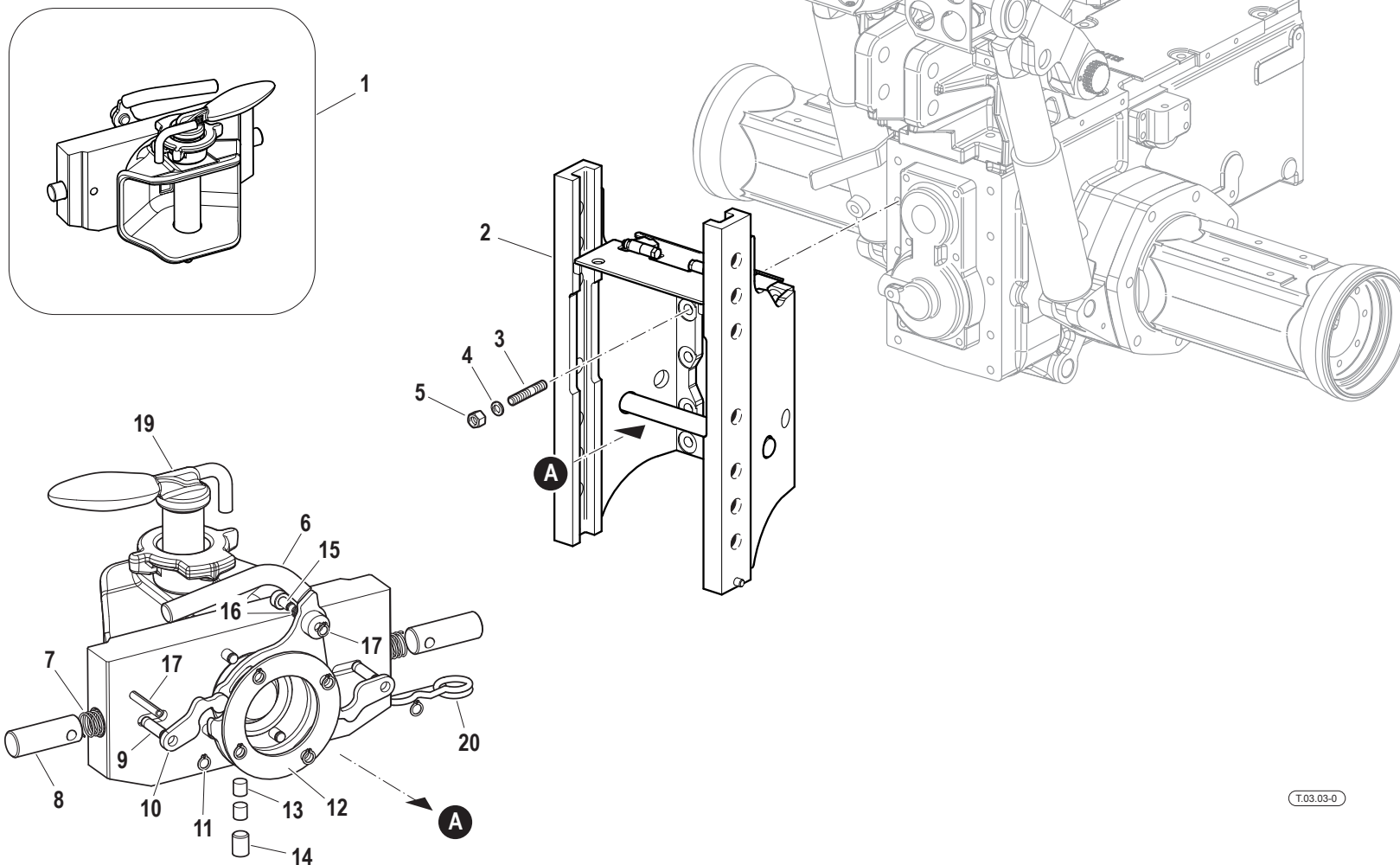
PULL HOOK - STANDARD



Pos.	Code	Q.ty	Description	Notes
1	590A0728	1	TOW HOOK	
2	56179326	1	SUPPORT	
3	56179327	1	SUPPORT	
4	F0838610000	10	STUD BOLT M12X25 UNI 5911	
5	F0814695000	10	NUT M12	
6	F0843843060	10	WASHER 12	
7	56372067	4	PIN	
8	F0851486000	4	SPLIT PIN	
9	F0808060100	1	LATCH D.28X117	
10	F0851497000	1	SPLIT PIN	

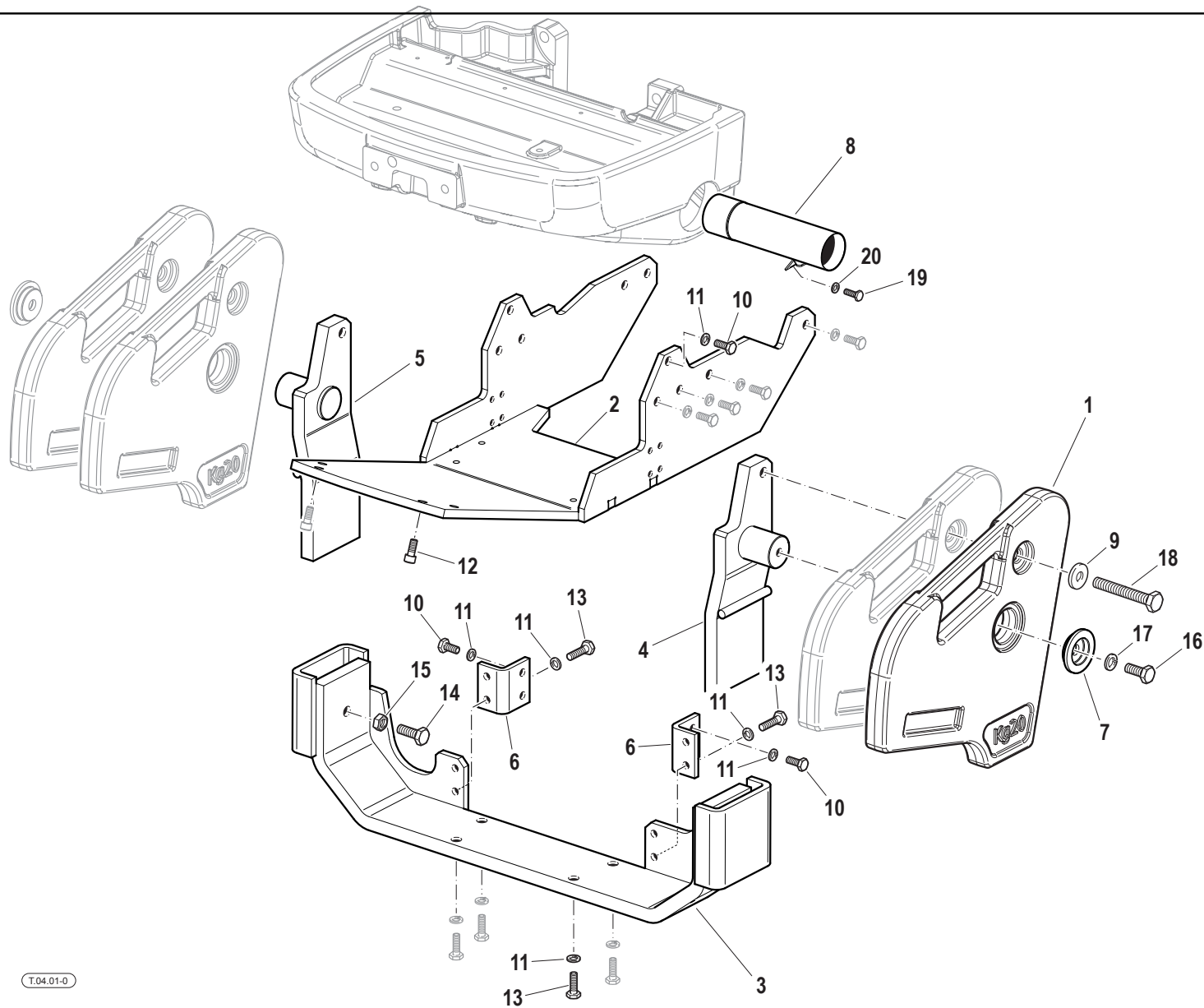


Pos.	Code	Q.ty	Description	Notes
1	59375017	1	TOW HOOK	
1.1	56075018	1	HOOK HINGING GROUP	
1.2	51175011	1	EEC HOMOLOGATED HOOK	
1.3	59075012	1	PIN	
1.4	56377980	4	PIN	
1.5	F0851486000	4	SPLIT PIN	
1.6	F0826056000	1	LUBRICATOR M10 UNI 7663A	
2	56179326	1	SUPPORT	
3	56179327	1	SUPPORT	
4	F0838610000	10	STUD BOLT M12X25 UNI 5911	
5	F0814695000	10	NUT M12	
6	F0843843060	10	WASHER 12	

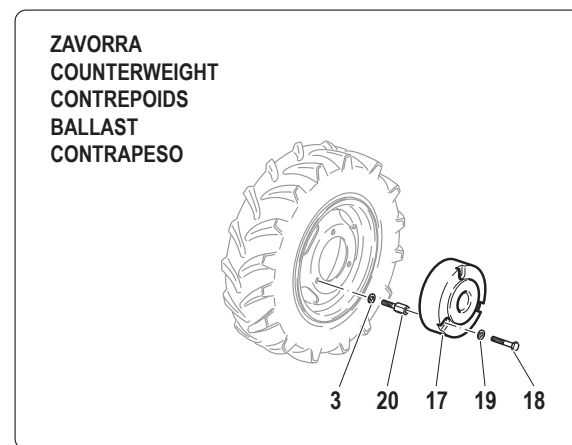
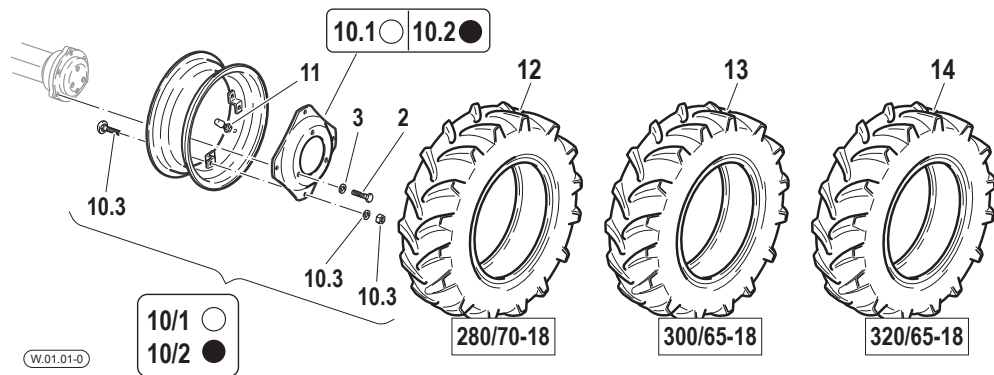
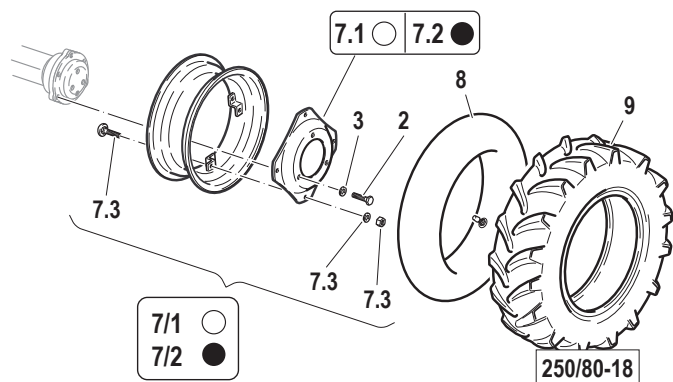
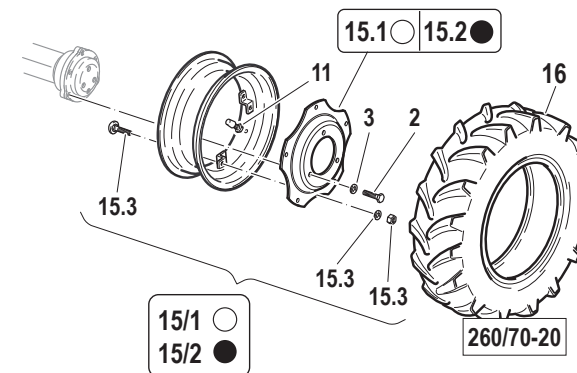
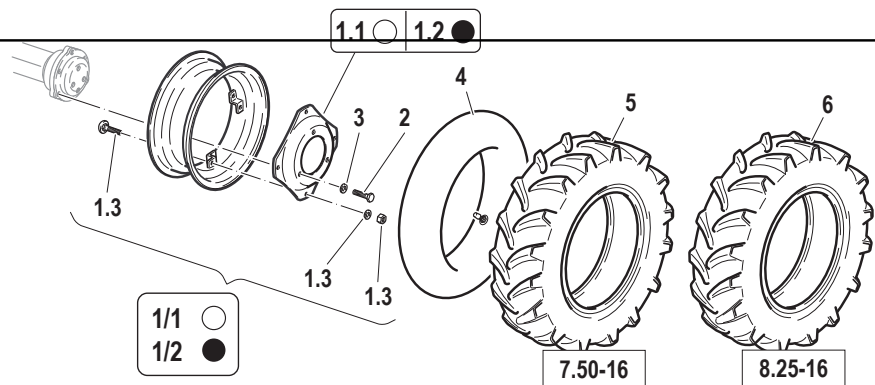


Pos.	Code	Q.ty	Description	Notes
1	59377734	1	CLEVIS	
2	593A0878	1	TEL.SLIDER 80.0209.00.4	
3	F0838610000	10	STUD BOLT M12X25 UNI 5911	
4	F0814695000	10	NUT M12	
5	F0843843060	10	WASHER 12	
6	58177736	1	LEVA SBLO.COMP.(81.0121.01.03)	
7	58177737	2	SPRING	
8	58177738	2	PIN	
9	58177739	6	PIN	
10	58177740	2	CONNECTING ROD	
11	F0801028000	6	SEEGER RING E 8 UNI 7435	
12	58177741	1	DISC	
13	58177742	2	PAD	
14	F0863672010	1	SCREW	
15	58177743	1	PIN	
16	58177744	1	SPRING	
17	F0801022000	1	SEEGER RING E 7 UNI 7435	
18	34211064	1	ROLL PIN	
19	58177745	1	PIN	
20	58177746	1	SPLIT PIN	

FRONT BALLASTS



Pos.	Code	Q.ty	Description	Notes
1	51179309	4	FRONT BALLAST	
2	590A0793	1	GUARD	
3	590A0378	1	SUPP.ZAVORRE ANT.LAT.75	
4	590A0796	1	BRACKET	
5	590A0795	1	BRACKET	
6	561A0521	2	FIXING BRACKET	
7	56179308	2	WASHER	
8	590A0937	1	TUBO SCAR.55-65-ZAV.ANT.VERN	
9	31411170	2	WASHER 17x30	
10	31112219	14	SCREW TE M10X25 UNI 5739	
11	F0843755000	22	WASHER 10	
12	31152103	2	SCREW TCEI M10X25 UNI 5931	
13	31112212	8	SCREW TE M10X35 UNI 5739	
14	31112328	2	SCREW TE M14X35 UNI 5739	
15	31211140	2	NUT M14	
16	31111330	2	SCREW TE M14X30 UNI 5739 8G	
17	F0843921030	2	WASHER 14	
18	31112445	2	SCREW TE M16X85 UNI 5737	
19	31111151	1	SCREW TE M8X16 UNI 5739 8G	
20	F0843643060	1	WASHER 8	



● COLORE GRIGIO
GREY COLOUR
COULEUR GRISE
GRAU FARBE
COLOR GRIS

○ COLORE GIALLO
YELLOW COLOUR
COULEUR JAUNE
GELBE FARBE
COLOR AMARILLO

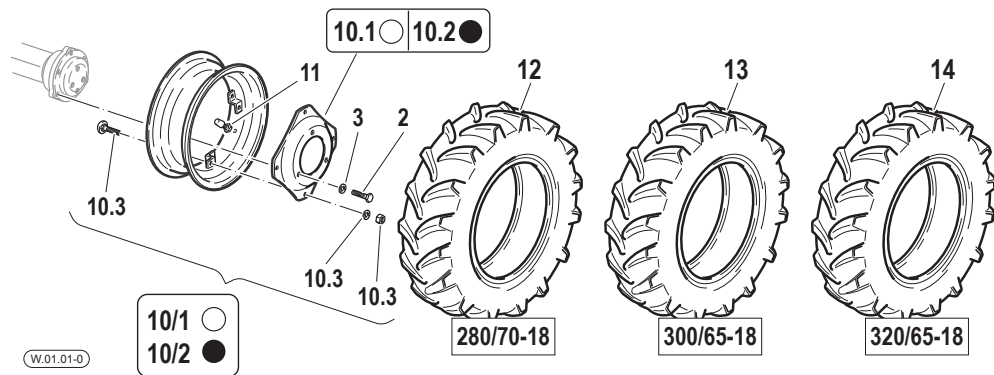
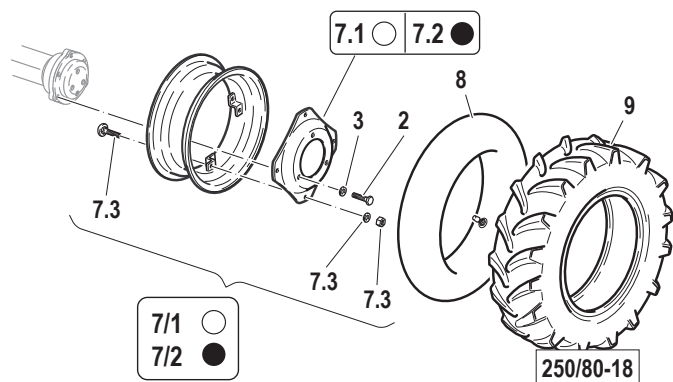
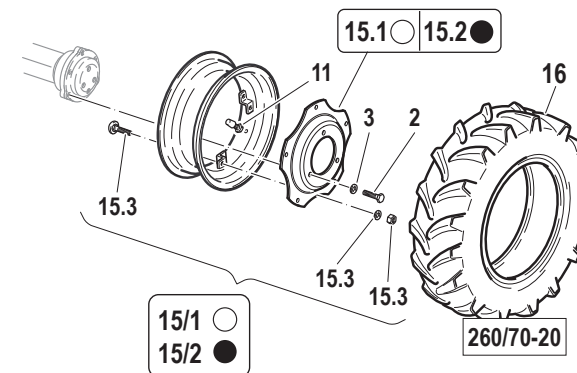
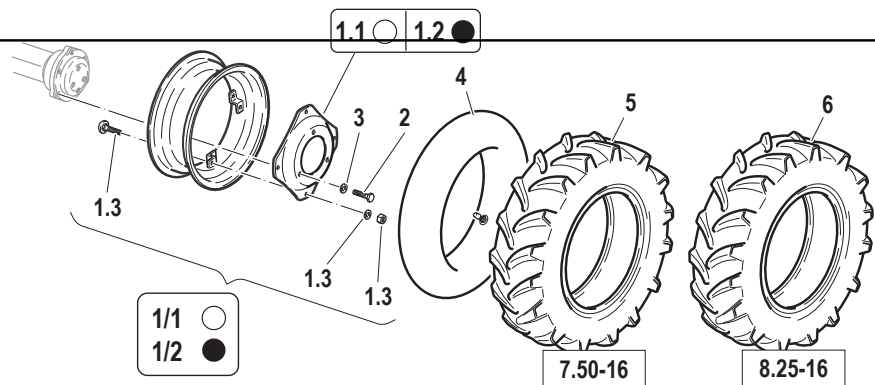
Pos.	Code	Q.ty	Description	Notes
1.1	581A0367	1	WHEEL DISC	
1/1	592A0364	1	RIM	
1/2	592A0365	1	RIM	
1.2	581A0368	1	WHEEL DISC	
1.3	59901294	1	SCREW SET	
2	F0864410500	3	SCREW M18X1,5/45 U/5740	
3	F0844150000	3	WASHER D.30x18,5/5	
4	F0848887000	1	INNER TUBE	
5	F0848635000	1	TYRE 7.50-16 8PR	
6	F0848648000	1	TYRE 8.25-16 06 TT	
7/1	592A0155	1	RIM	
7.1	581A0158	1	WHEEL DISC	
7.2	581A0159	1	WHEEL DISC	
7/2	592A0156	1	RIM	
7.3	59901295	1	SCREW SET	
8	F0848855000	1	INNER TUBE	
9	F0848655000	1	TYRE 250/80-18 8PR	
10/1	592A0149	1	RIM	
10.1	581A0152	1	WHEEL DISC	
10.2	581A0153	1	WHEEL DISC	
10/2	592A0150	1	RIM	
10.3	59901295	1	SCREW SET	
11	F0150010905	1	VALVE	
12	39118050	1	TYRE 280/70R18	
13	39121800	4	TYRE 300/65-18	
14	F0848679600	4	TYRE 320/65R18	
15.1	58179879	1	WHEEL DISC	
15/1	59279876	1	RIM	
15/2	59279877	1	RIM	
15.2	58179880	1	WHEEL DISC	
15.3	59901295	1	SCREW SET	
16	F0848655250	4	TYRE 260/70R20	
17	51172563	1	BALLAST	
18	F0864314000	3	SCREW M14X65 UNI 5737	

SERIAL

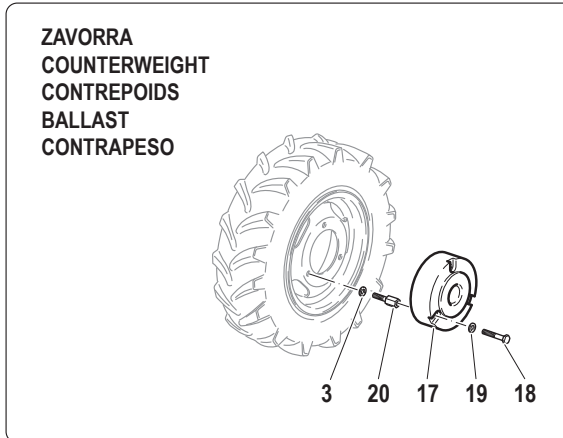
WHEELS AND TYRES

CODE REV

W.01.01_0_63109



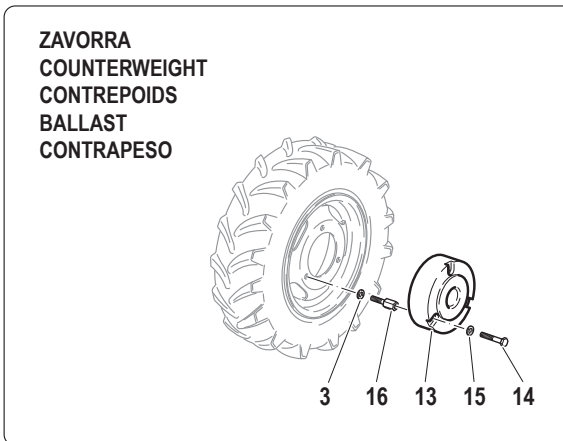
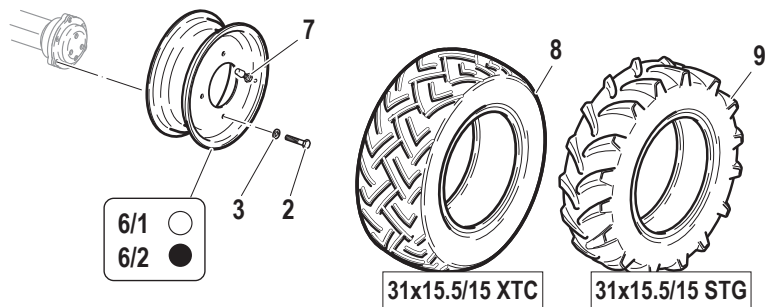
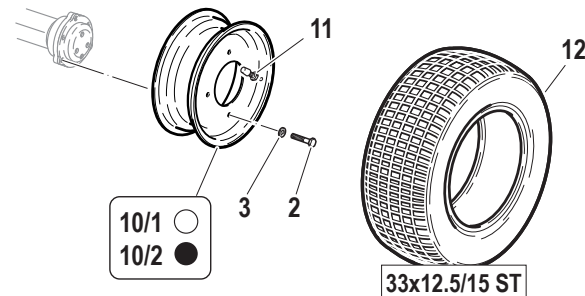
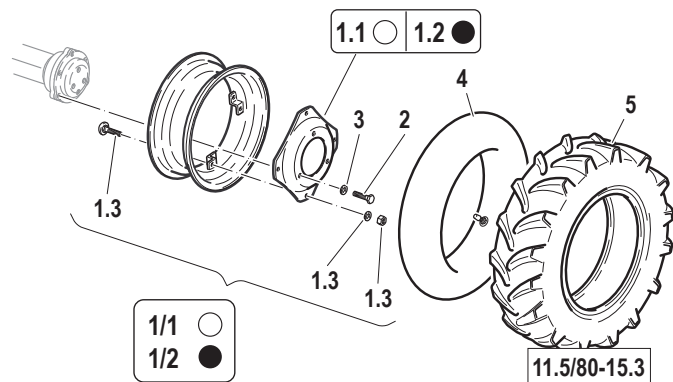
W.01.01-0



● COLORE GRIGIO
GREY COLOUR
COULEUR GRISE
GRAU FARBE
COLOR GRIS

○ COLORE GIALLO
YELLOW COLOUR
COULEUR JAUNE
GELBE FARBE
COLOR AMARILLO

Pos.	Code	Q.ty	Description	Notes
19	F0843993060	3	WASHER 28x15/4	
20	56370539	3	SPECIAL SCREW	

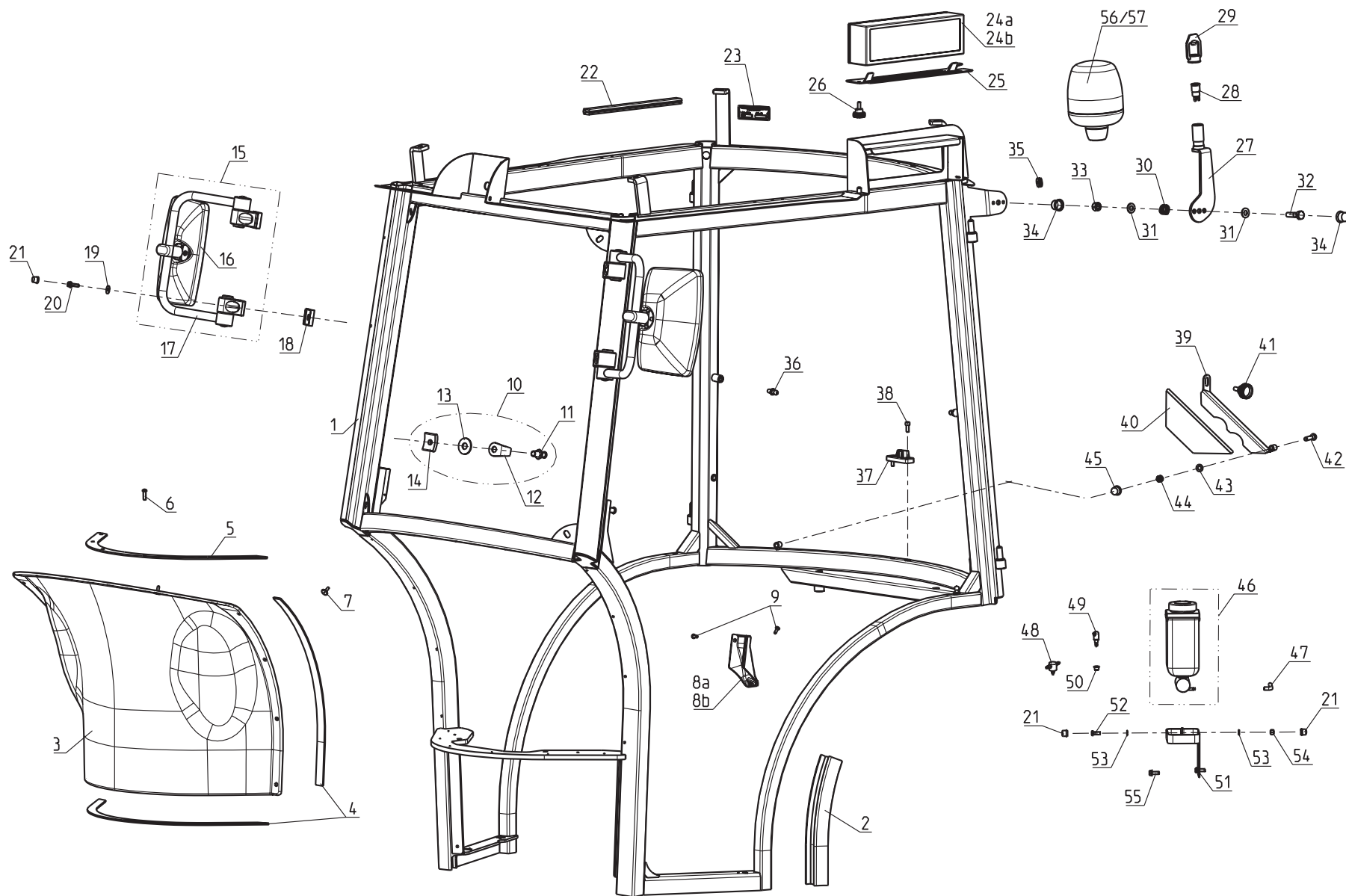


● COLORE GRIGIO
GREY COLOUR
COULEUR GRISE
GRAU FARBE
COLOR GRIS

○ COLORE GIALLO
YELLOW COLOUR
COULEUR JAUNE
GELBE FARBE
COLOR AMARILLO

Pos.	Code	Q.ty	Description	Notes
1.1	581A0143	1	WHEEL DISC	
1/1	592A0140	1	RIM	
1/2	592A0141	1	RIM	
1.2	581A0144	1	WHEEL DISC	
1.3	59901293	1	SCREW SET	
2	F0864410500	3	SCREW M18X1,5/45 U/5740	
3	F0844150000	3	WASHER D.30x18,5/5	
4	F0848844000	1	INNER TUBE	
5	F0848672100	1	TYRE 11.5/80-15.3 8PR	
6/1	581A0369	1	RIM	
6/2	581A0370	1	RIM	
7	F0150010905	1	VALVE	
8	F0848681605	1	TYRE 31X15.5-15	
9	F0848681600	1	TYRE 31X15.5-15 8PR	
10/1	581A0584	1	RIM	
10/2	581A0585	1	RIM	
11	30000996	1	VALVE	
12	F0848683601	1	TYRE	
13	51172563	1	BALLAST	
14	F0864314000	3	SCREW M14X65 UNI 5737	
15	F0843993060	3	WASHER 28x15/4	
16	56370539	3	SPECIAL SCREW	

FRAME "LOCHMANN"



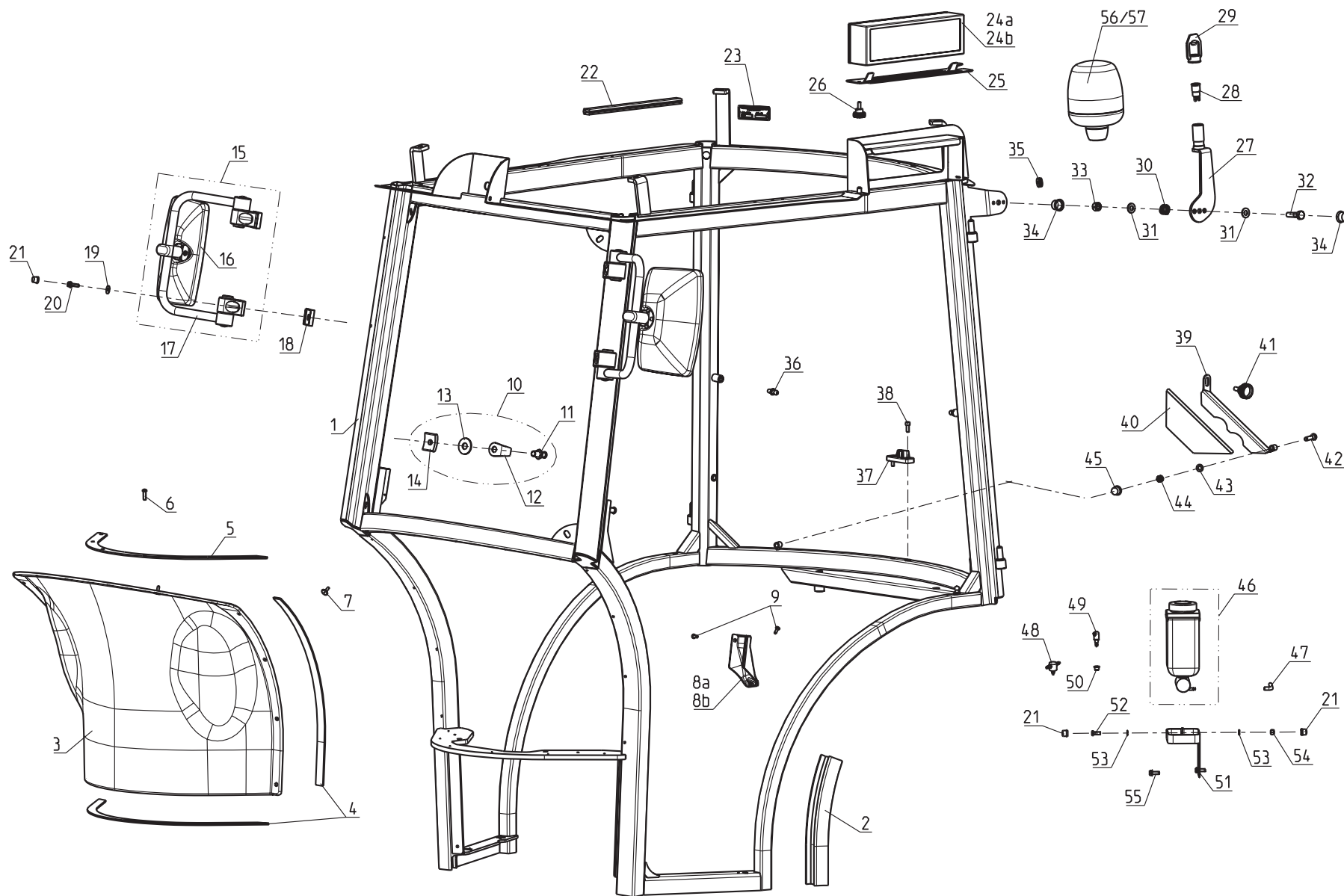
Pos.	Code	Q.ty	Description	Notes
1	59905128	1	TELAIO COMPL.BF8 (701B18420)	
2	59905129	1	MUDGUARD GASKET	
3	59905127	1	FASTENER	
4	59905130	1	FOAM RUBBER	
5	59905131	1	PLATE	
6	59905132	6	VITE TBEI M6X15 (613100616)	
7	59900397	14	RIVET	
9	59905006	4	RIBBED SCREW	
10	59900564	2	KIT	
11	59900034	2	PIN	
12	59900026	2	CLEVIS	
13	59900027	2	SHIM M12X36	
14	59900028	2	SMALL PLATE	
15	59900773	2	MIRROR	
16	59900006	2	SUMP	
17	59900381	2	ROD	
18	59900383	4	SHIM	
19	59900398	4	WASHER M6X18	
20	59900035	4	SCREW	
21	59900037	4	NUT COVER	
22	59905135	1	GASKET	
23	59900567	1	PLATE	
25	59905136	1	GRILLE	
26	59900725	1	KNOB	
27	59905137	1	SUPPORT	
28	59900047	1	SOCKET	
29	59900046	1	PLASTIC PLUG	
30	59900782	1	SPRING	
31	31411105	2	WASHER 10,5x21	
32	59905138	1	VITE TE M10X40 (606100040)	
33	31241100	1	SELFLOCK NUT M10 6S	
34	59900108	2	NUT COVER	
35	59900075	1	GASKET	
36	59900106	4	JOINT	

SERIAL

FRAME "LOCHMANN"

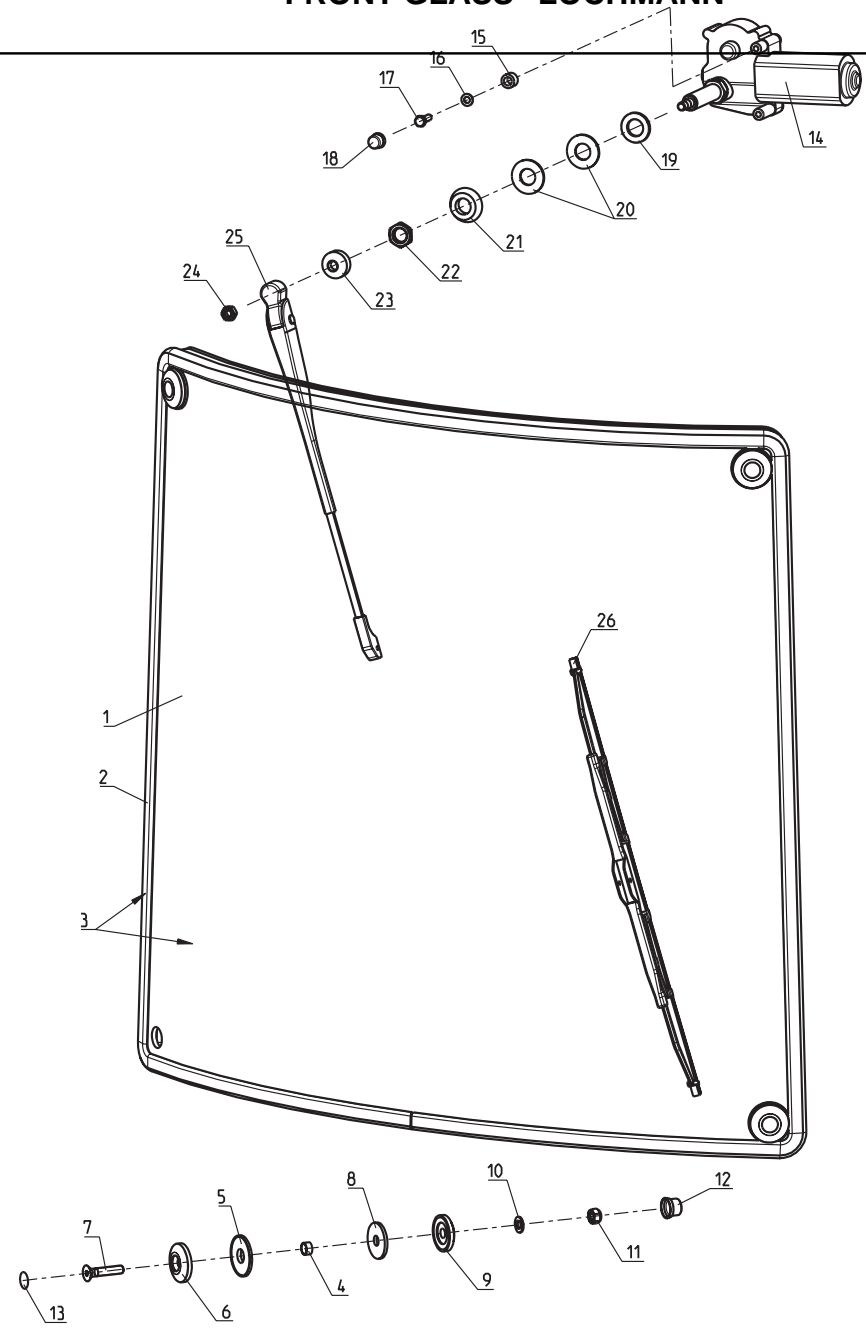
CODE REV

Y.01.01_0_65609



Pos.	Code	Q.ty	Description	Notes
37	59900565	1	STOP	
38	59900566	2	SCREW	
39	59905139	1	CABLE GLAND	
40	59905140	1	FOAM RUBBER	
41	59900013	1	KNOB	
42	59905141	1	VITE TSPEI M8X45 (604080045)	
43	59900393	1	WASHER	
44	31241080	1	SELFLOCK NUT M8	
45	59900109	1	NUT COVER	
46	59900389	1	TANK	
47	59900787	1	PIPE	
48	59900388	1	PIPE FITTING	
49	59900466	2	COOLING NOZZLE	
50	59900477	2	RUBBER PLUG	
51	59900590	1	SUPPORT	
52	59900396	1	SCREW	
53	59905142	2	WASHER M6	
54	31241060	1	SELFLOCK NUT M6	
55	59900031	2	SCREW	
56	58177756	1	ROTARY WARN. LAMP	
8a	59905133	1	COVER	
8b	59905134	1	COVER	
24a	59900676	1	FILTER	
24b	59900677	1	CARBON FILTER	

FRONT GLASS "LOCHMANN"



Pos.	Code	Q.ty	Description	Notes
1	59905143	1	FRONT GLASS	
2	59905144	1	GLASS GASKET	
3	59905145	1	FRONT GLASS	
4	59900103	4	RING	
5	59905043	4	RUBBER WASHER	
6	59900102	4	PLASTIC WASHER 10x36/8	
7	59900625	4	SCREW	
8	59900074	4	WASHER	
9	59900102	4	PLASTIC WASHER 10x36/8	
10	31411090	4	WASHER 9x24	
11	31241080	4	SELFLOCK NUT M8	
12	59900109	4	NUT COVER	
13	59900604	1	SCREW COVER	
14	59900606	1	WIPER MOTOR	
15	59900802	1	SPACER	
16	31411064	1	WASHER 6,4x12,5	
17	31112093	2	SCREW TE M6X20 UNI 5739 8G	
18	59900037	1	NUT COVER	
19	59900407	1	WASHER M16 D.30MM	
20	59900408	2	WASHER	
21	59900409	1	WASHER	
22	59900608	1	NUT	
23	59900107	1	PIN COVER	
24	31211060	3	NUT M6	
25	59900814	1	WIPER ARM	
26	59905146	1	WIPER BLADE	

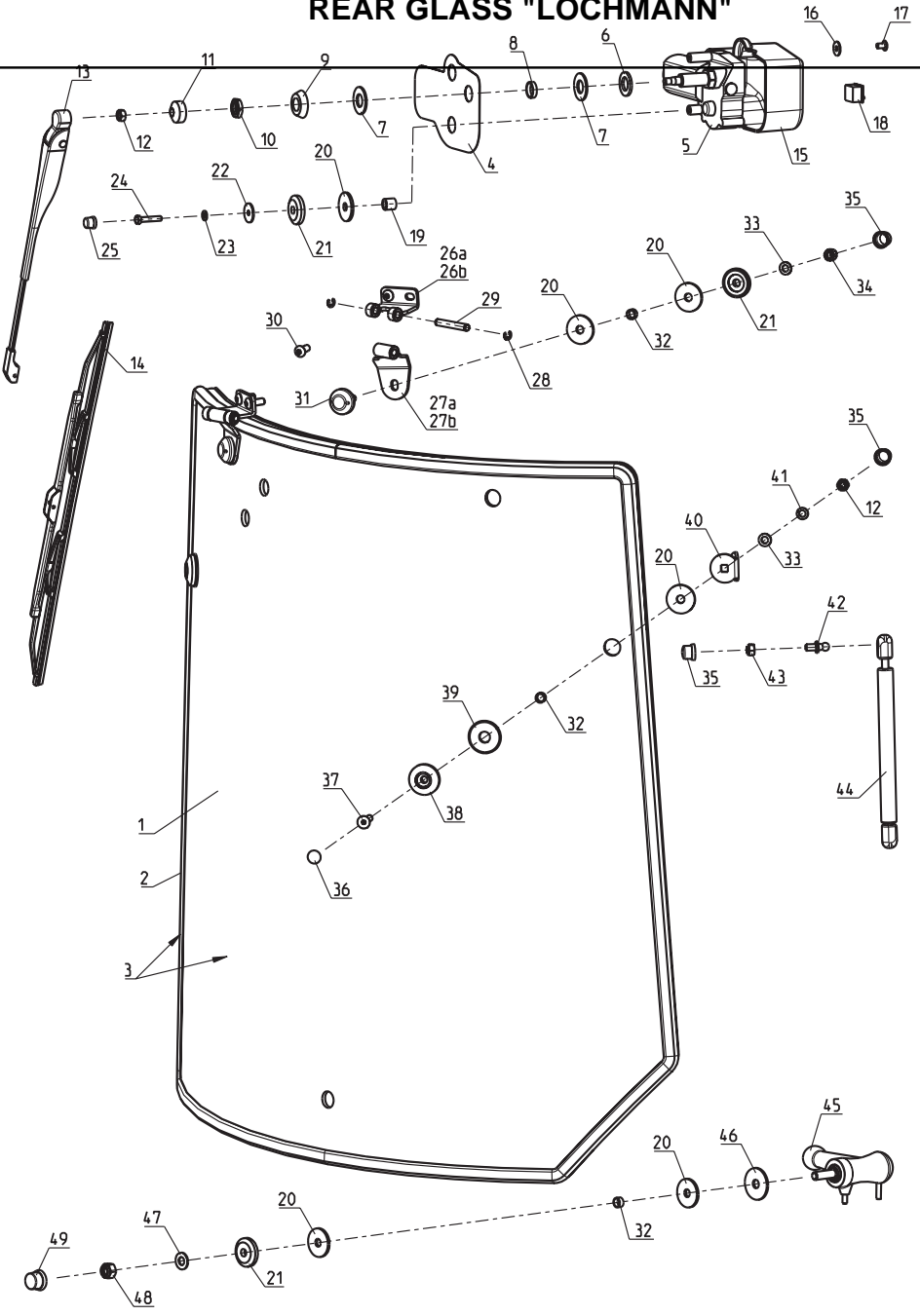
SERIAL

FRONT GLASS "LOCHMANN"

CODE REV

Y.01.02_0_65668

REAR GLASS "LOCHMANN"



Pos.	Code	Q.ty	Description	Notes
1	59905123	1	REAR GLASS	
2	59905148	1	GLASS GASKET	
3	59905124	1	CAB REAR GLAS WITH GASKET	
4	59900093	1	DECAL	
5	59905149	1	WIPER MOTOR	
6	59900407	1	WASHER M16 D.30MM	
7	59900408	2	WASHER	
8	59900403	1	SPACER	
9	59900409	1	WASHER	
10	59900608	1	NUT	
11	59900107	1	PIN COVER	
12	31211060	3	NUT M6	
13	59900814	1	WIPER ARM	
14	59905146	1	WIPER BLADE	
15	59900414	1	COVER	
16	59900406	2	WASHER	
17	59900405	2	SCREW	
18	59900415	1	SWITCH	
19	59900138	1	RING	
20	59900074	9	WASHER	
21	59900102	4	PLASTIC WASHER 10x36/8	
22	59900411	1	WASHER M6X24	
23	31411064	1	WASHER 6,4x12,5	
24	59905151	1	VITE TE M6X30 (606060030)	
25	59900037	1	NUT COVER	
28	59900616	4	RETAINING RING	
29	59900810	2	HINGE PIN	
30	59900600	4	SCREW	
31	59900601	2	BOSS	
32	59900103	5	RING	
33	31411084	4	WASHER 8,4x17	
34	31241080	2	SELFLOCK NUT M8	
35	59900109	6	NUT COVER	
36	59900604	2	SCREW COVER	

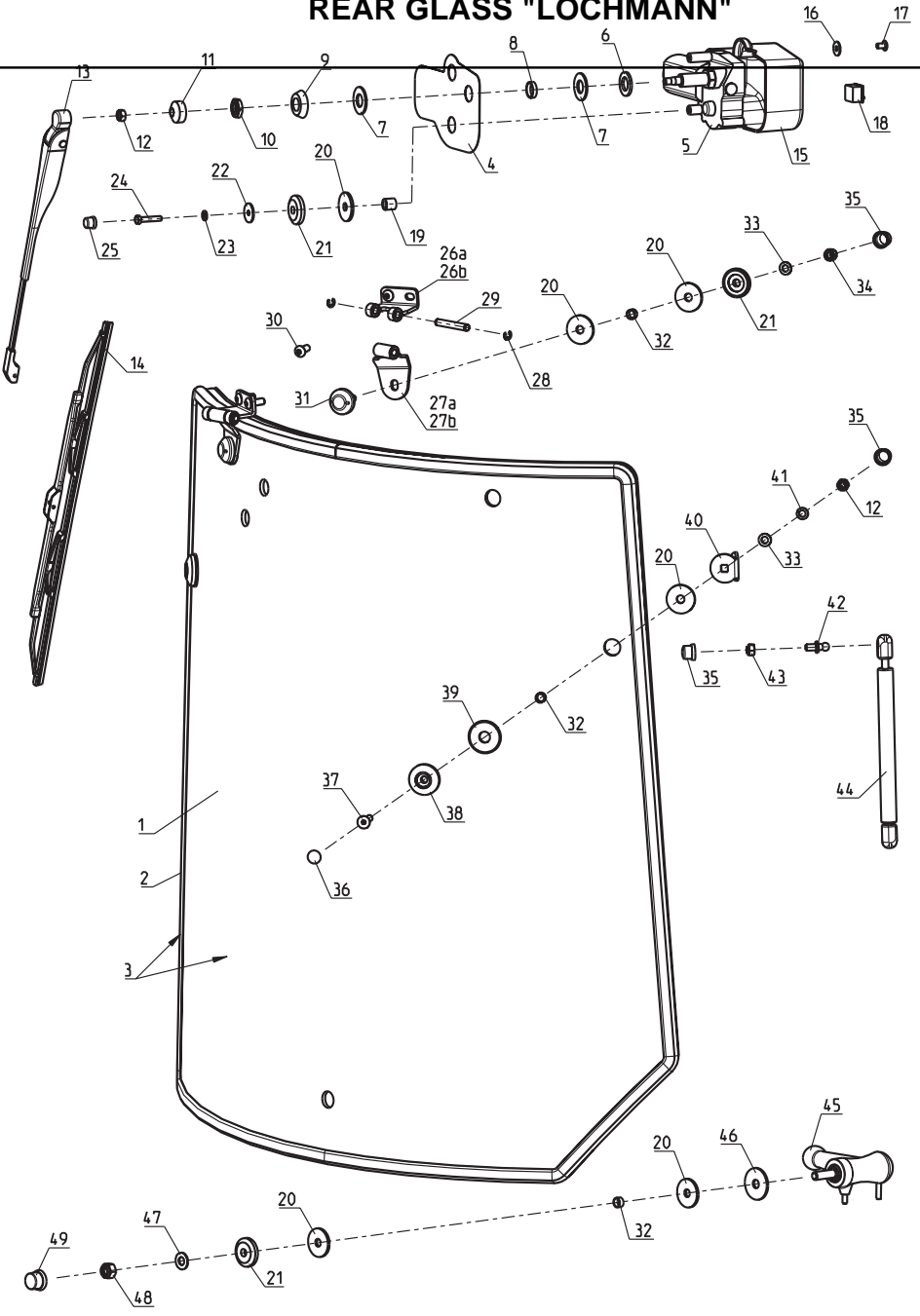
SERIAL

REAR GLASS "LOCHMANN"

CODE REV

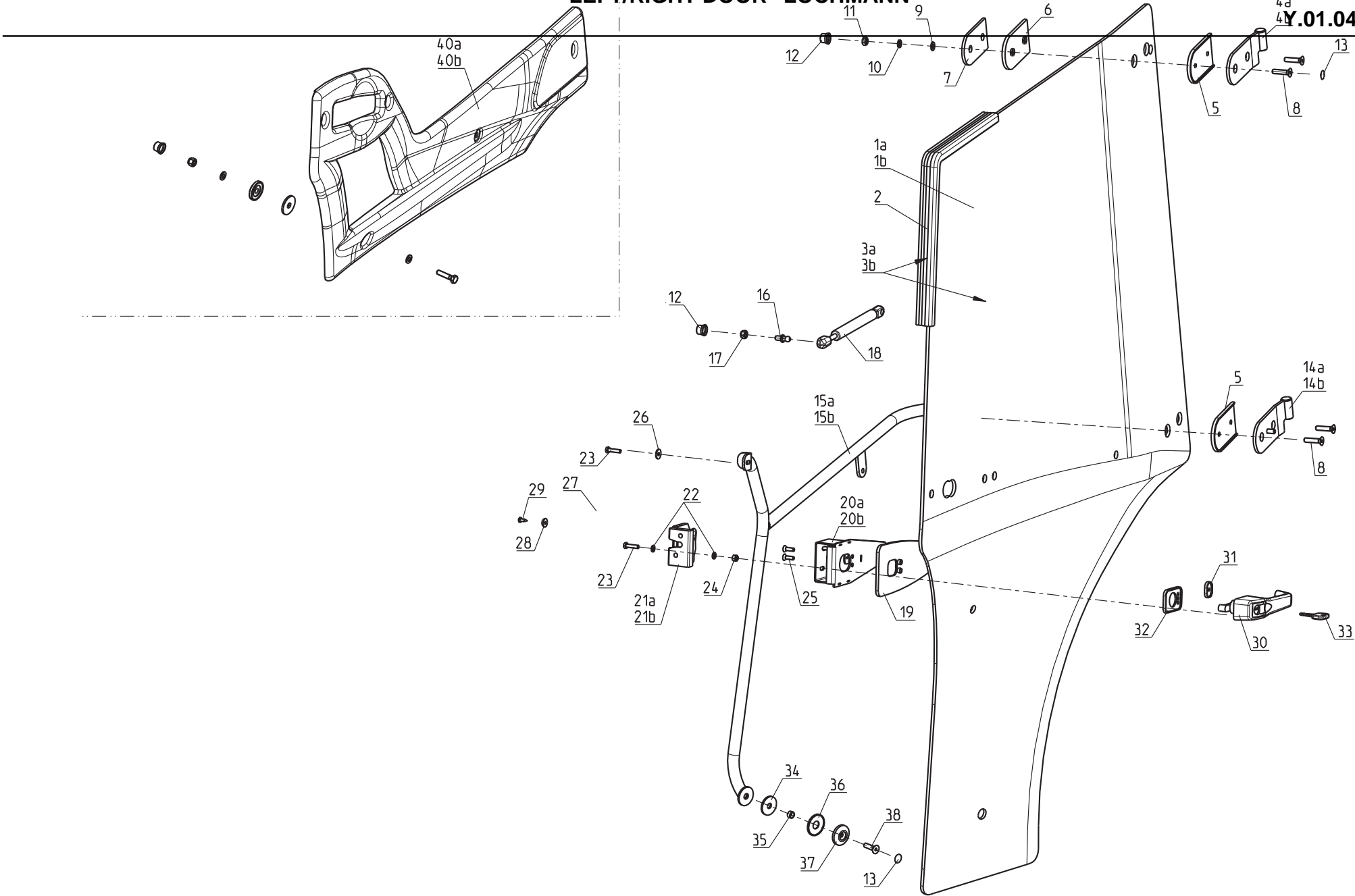
Y.01.03_0_65695

REAR GLASS "LOCHMANN"



Pos.	Code	Q.ty	Description	Notes
37	59900624	2	SCREW	
38	59900799	2	BOSS	
39	59905043	2	RUBBER WASHER	
40	59900402	2	SUPPORT	
41	59900117	2	WASHER 11,4	
42	59900106	2	JOINT	
43	31241081	2	SELFLOCK NUT M8	
44	59905156	2	GAS SPRING	
45	59900094	1	HANDLE	
46	59900404	1	WASHER M10X36	
47	31411105	1	WASHER 10,5x21	
48	31241100	1	SELFLOCK NUT M10 6S	
49	59900108	1	NUT COVER	
26a	59905152	1	LH HINGE	
26b	59905153	1	RH HINGE	
27a	59905154	1	LH HINGE	
27b	59905155	1	RH HINGE	

LEFT/RIGHT DOOR "LOCHMANN"



Pos.	Code	Q.ty	Description	Notes
2	59905126	1	GLASS GASKET	
5	59905162	2	SOTTOBASE CERNIERA (628004675)	
6	59905163	2	SOTTOBASE CERNIERA (628004676)	
7	59905042	2	PLATE	
8	59900624	4	SCREW	
9	31411084	4	WASHER 8,4x17	
10	59900117	4	WASHER 11,4	
11	31211060	4	NUT M6	
12	59900109	5	NUT COVER	
13	59900604	5	SCREW COVER	
16	59900106	1	JOINT	
17	31241081	1	SELFLOCK NUT M8	
18	59900640	1	SPRING	
19	59900641	1	S/BASE GOMMA SERR.T5 628014631	
1a	59905158	1	LH DOORGLASS	
1b	59905159	1	RH DOORGLASS	
22	31411064	4	WASHER 6,4x12,5	
23	59900432	3	SCREW	
24	31241060	2	SELFLOCK NUT M6	
25	59900644	2	SCREW	
26	59900398	1	WASHER M6X18	
27	59900647	1	LOCK COVER	
28	59900561	1	WASHER	
29	59900468	1	RIBBED SCREW	
30	59900649	1	DOOR HANDLE	
31	59900650	1	GASKET	
32	59900651	1	GASKET	
33	59900652	1	KEY	
34	59900074	1	WASHER	
35	59900103	1	RING	
36	59905043	1	RUBBER WASHER	
37	59900799	1	BOSS	
38	59905166	1	VITE TSPEI M8X30 (604080030)	
3a	59905160	1	LH DOORGLASS	

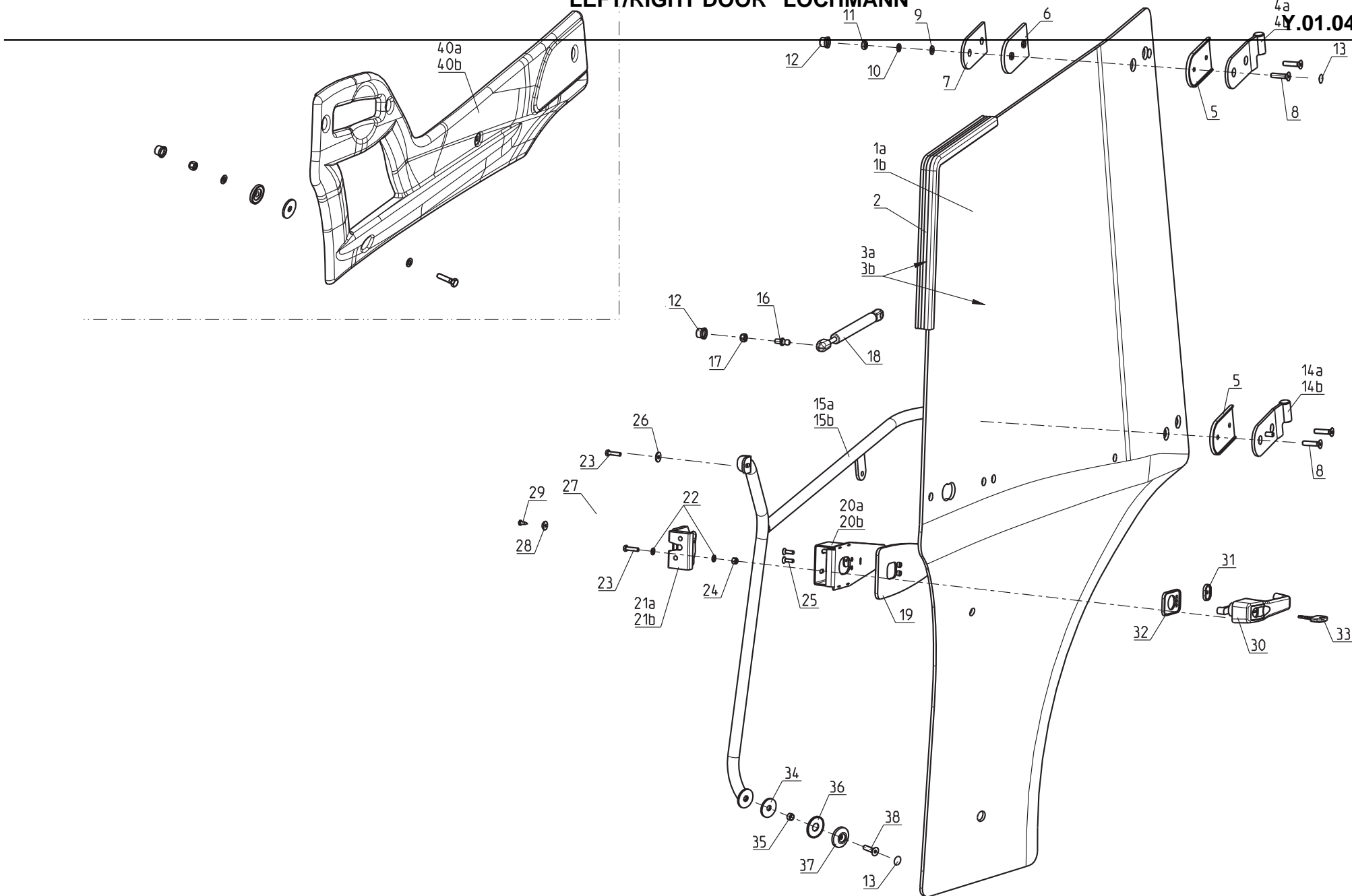
SERIAL

LEFT/RIGHT DOOR "LOCHMANN"

CODE REV

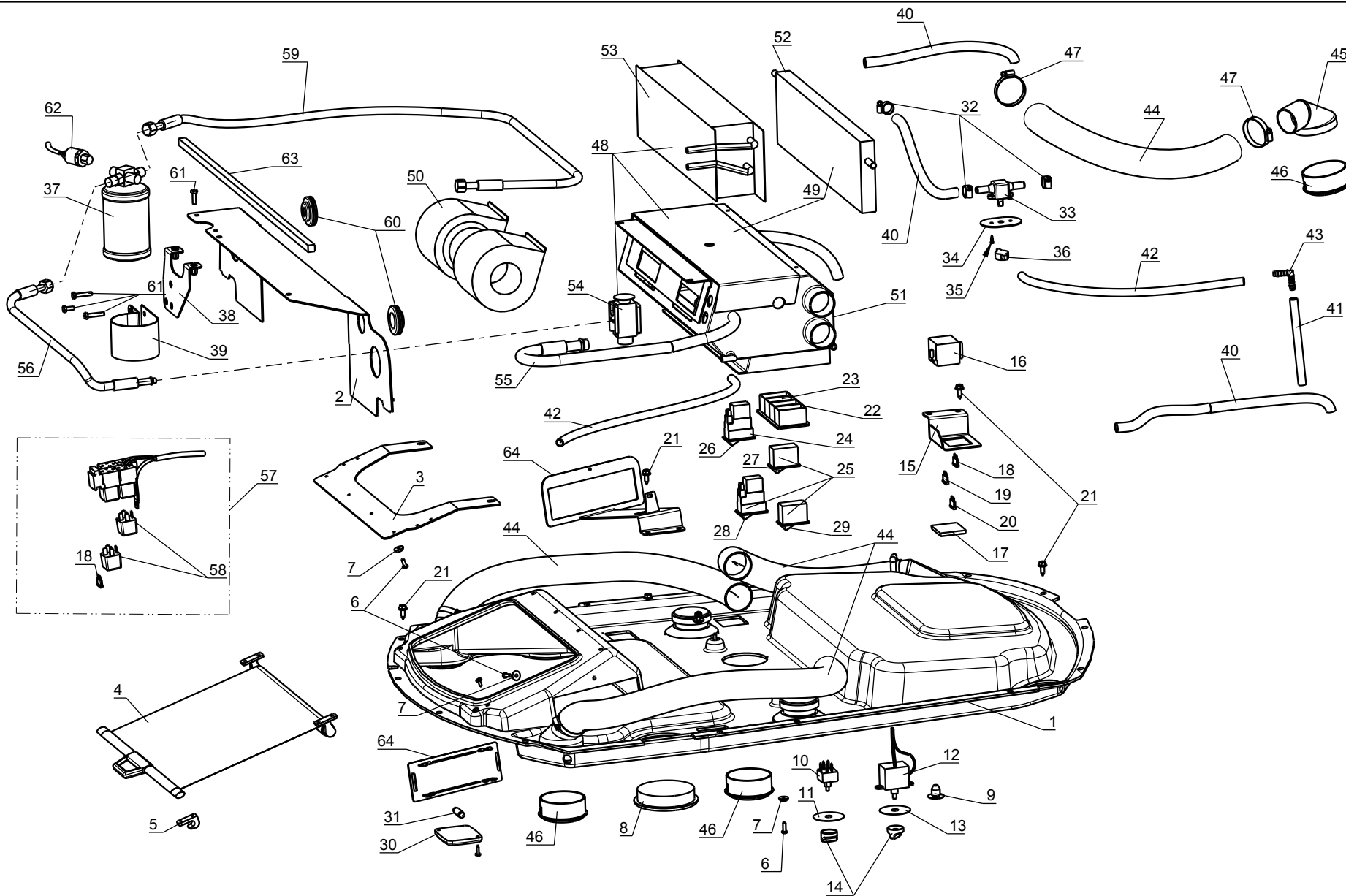
Y.01.04_0_65747

LEFT/RIGHT DOOR "LOCHMANN"



Pos.	Code	Q.ty	Description	Notes
3b	59905161	1	VETRO DX C/GUARN.(7061800740)	
4a	59900637	1	RH HINGE	
4b	59900636	1	RH HINGE	
14a	59900633	1	RH HINGE	
14b	59900632	1	RH HINGE	
15a	59905164	1	DOOR HANDLE	
15b	59905165	1	DOOR HANDLE	
20a	59905047	1	SUPPORT	
20b	59905048	1	SUPPORT	
21a	59900646	1	LOCK SMALL BLOCK	
21b	59900645	1	LOCK SMALL BLOCK	
39a	59905167	1	CAB DOOR - LEFT	
39b	59905168	1	CAB DOOR RIGHT	
40a	573A0581V	1	HOSE CLIP	
40b	573A0580V	1	HOSE CLIP	

SERIAL START 923098



Pos.	Code	Q.ty	Description	Notes
1	59905234	1	RIVESTIMENTO BF8 V2 627B18415	
2	59905235	1	SUPP.GRUPPO VENTIL. 703B18881	
3	59905252	1	SUPP.TENDINA PARAS. 702B18882	
4	59905172	1	TENDINA PARASOLE (624220705)	
5	59900697	2	CLEVIS	
6	59905006	10	RIBBED SCREW	
7	59900561	4	WASHER	
8	59900463	2	TONGUE	
9	59900577	1	PLUG	
10	59900449	1	SWITCH	
11	59905173	1	MOSTRINA VENTIL. (624073052)	
12	59905174	1	TERMOSTATO A/C (624990619)	
13	59905175	1	MOSTRINA A/C (624073053)	
14	59900447	2	KNOB	
15	59905176	1	SUPPORT	
16	59900058	1	FUSE-HOLDER	
17	59900057	1	COVER	
18	59900665	2	FUSE/LOCK	
19	59900666	3	FUSE/LOCK	
20	59900667	2	FUSE/LOCK	
21	59900395	14	RIBBED SCREW	
22	59900051	2	SWITCH SUPPORT	
23	59900052	2	SWITCH SUPPORT	
24	59900054	1	SWITCH	
25	59900053	3	SWITCH	
26	59900669	1	GLASS	
27	59900670	1	GLASS	
28	59900671	1	GLASS	
29	59900672	1	GLASS	
30	59900459	1	PLAFONIERA PER VENTILAZIONE	
31	59900668	1	LAMP	
32	59905075	6	CLAMP	
33	59900068	1	COCK OR TAP	
34	59905236	1	MASCHERINA 702842990	

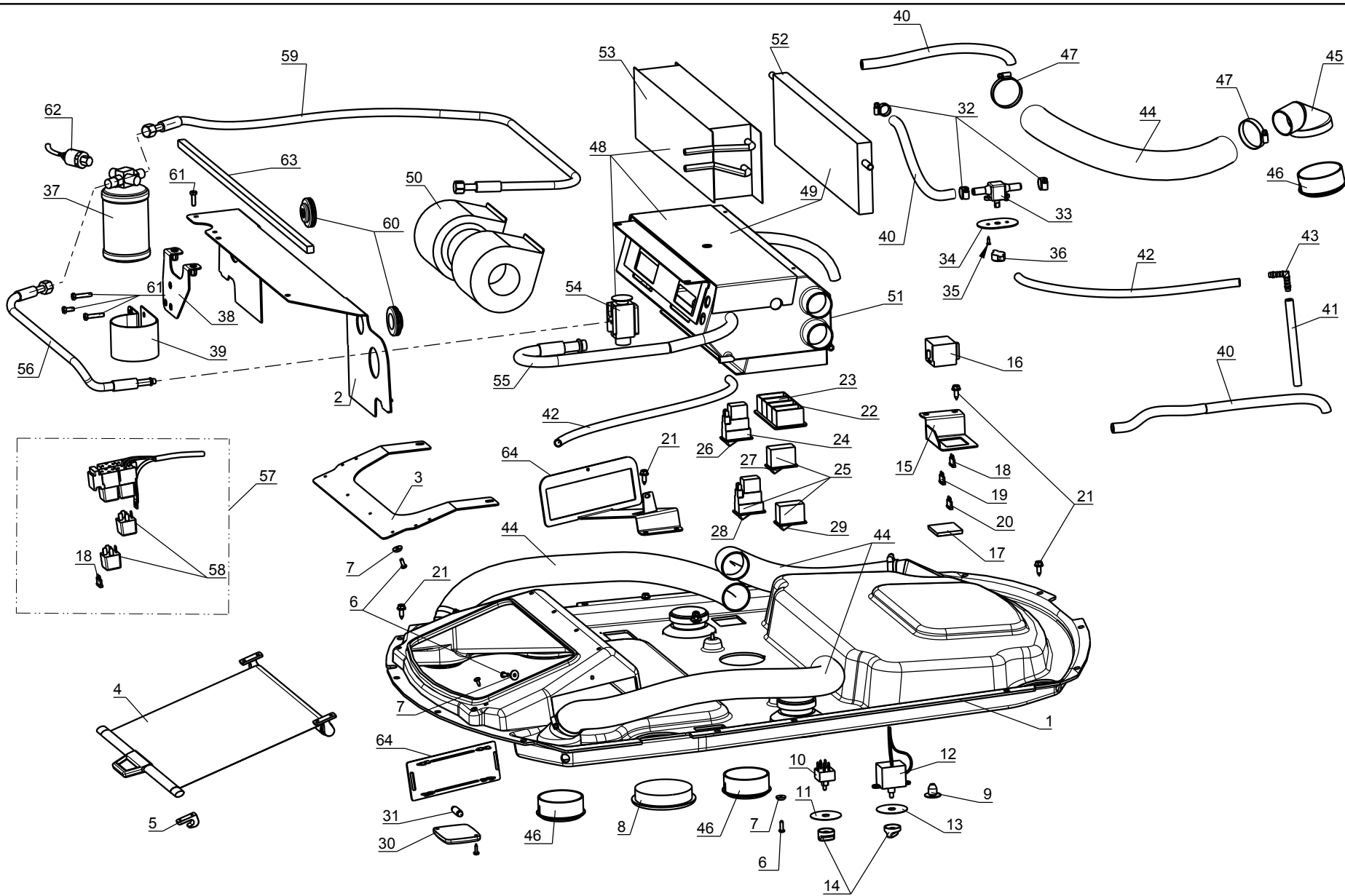
SERIAL
START
923098

ROOF - AIR CONDITIONING - HEATING "LOCHMANN"

CODE REV

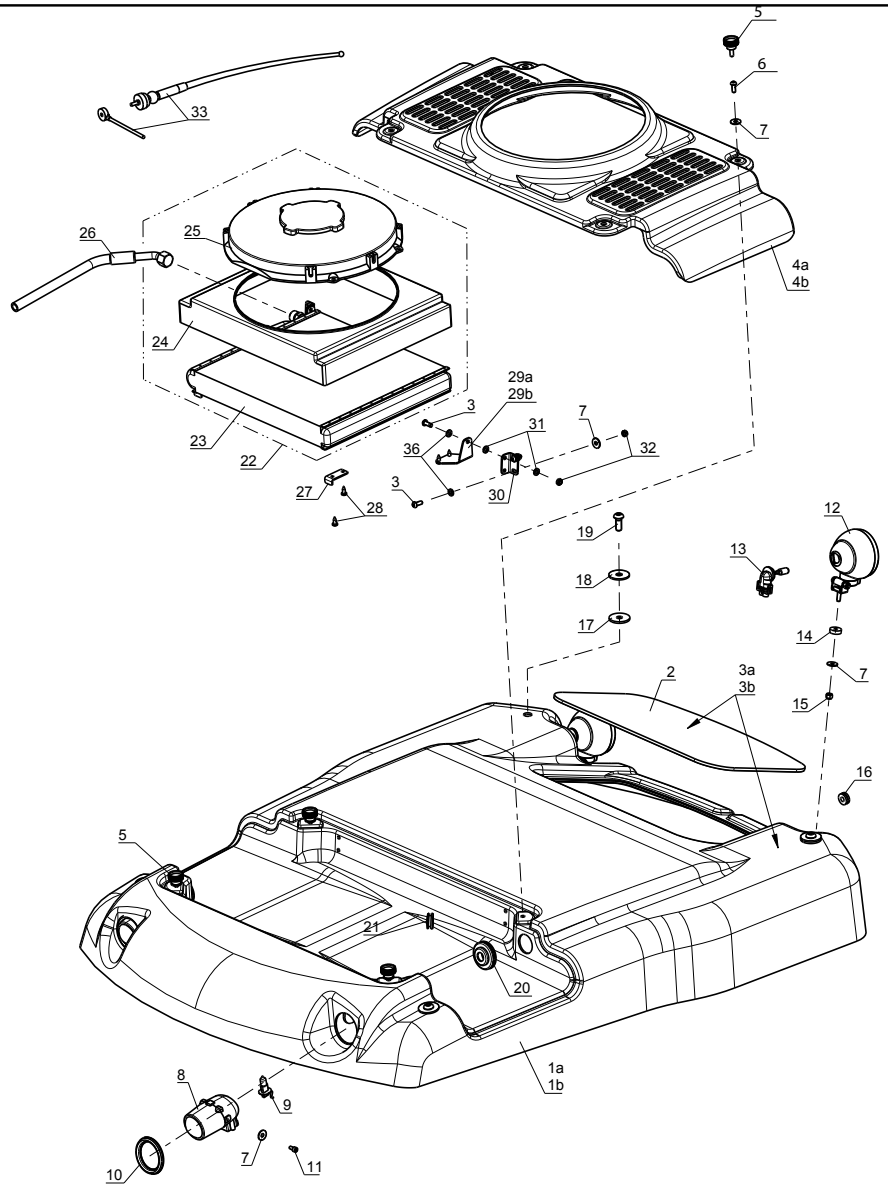
Y.01.05_1_77860

SERIAL START 923098



Pos.	Code	Q.ty	Description	Notes
35	59900699	2	SCREW	
36	59900070	1	KNOB	
37	59905237	2	FILTRO DEIDRATAT. 624141818	
38	59905238	1	STAFFA SIPP.FILTRO 703B18883	
39	59905239	1	STAFFA FILTRO 624141819	
40	59905178	1	TUBO RISCALD.9X15 (724115032)	
41	59905179	1	TUBO SC.CONDENSEA (724091354)	
42	59905180	1	TUBO SC.CONDENSEA (724091600)	
43	59900688	6	ELBOW	
44	59905181	1	TUBO RISC.ARIA D45 (724116000)	
45	59900686	4	PIPE FITTING	
46	59905080	4	PIPE UNION	
47	59900455	8	HOSE CLIP	
48	59905240	1	GR.VENTILAZ.E A.C.624990111	
49	59905241	1	GR.IMP.VENT.RISC. 624765955	
50	59905242	1	ELETTROVENTILATORE 624990629	
51	59905243	1	SCATOLA GR.VENTIL. 624990626	
52	59905244	1	RADIATORE 624761659	
53	59905245	1	EVAPORATORE 624990627	
54	59905246	1	VALVOLA ESPANSIONE 624990628	
55	59905247	1	TUBO DA EVAP.A COMPR.624990632	
56	59905248	1	TUBO DA EVAP.A FILTR.624990635	
57	59905190	1	ELECTRICAL SYSTEM	
58	59905088	4	RELAY	
59	59905249	1	TUBO DA COND.A FILTR.624990634	
60	59900469	2	PLUG	
61	31112093	6	SCREW TE M6X20 UNI 5739 8G	
62	59905258	1	PRESSOSTATO TRINARY 043002.1	
63	59905259	1	GUARNIZ.GOMMASPUGNA 628141212	
64	59905250	1	STAFFA FISS. RADIO 703B18884	
65	59905251	1	COPERCHIO FORO RADIO 622031905	

ROOF - AIR CONDITIONING - HEATING "LOCHMANN"



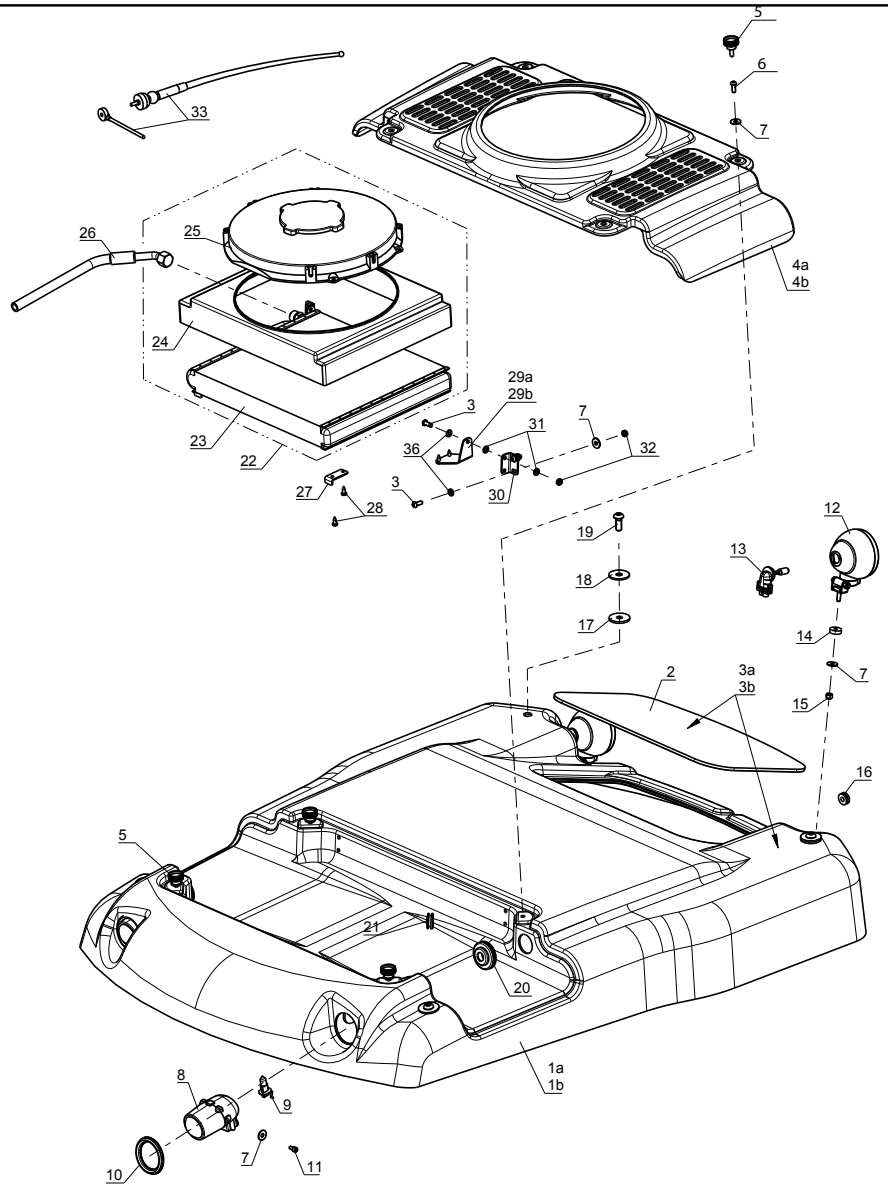
Pos.	Code	Q.ty	Description	Notes
2	59905193	1	VETRO TETTO (605050742)	
5	59900725	4	KNOB	
6	59900750	10	SCREW	
7	59900398	14	WASHER M6X18	
8	59900727	2	HEADLIGHT	
9	59900728	2	LAMP	
10	59905198	2	GASKET	
11	59900730	4	SCREW	
12	59900751	2	WORKING SPOTLIGHT	
13	59900752	1	LAMP	
14	59905199	2	SPACER	
15	31241060	2	SELFLOCK NUT M6	
16	59900075	2	GASKET	
17	59900074	4	WASHER	
18	59900404	4	WASHER M10X36	
19	59905094	4	SCREW	
1a	59905191	1	TETTO VERS. A/C (623698405)	
1b	59905192	1	TETTO VERS.RISC.(623698406)	
20	59900469	2	PLUG	
21	59900576	1	PLUG	
22	59905253	1	CONDENSATORE COMPL.624990631	
23	59905254	1	CONDENSATORE 624761657	
24	59905255	1	CONVOGLIATORE 624990630	
25	59905256	1	ELETTROVENTILATORE 624763565	
26	59905257	1	TUBO DA COND.A FILTR.624990633	
27	59905200	1	CONDENSER	
28	59905201	1	DUCT	
29	59905202	1	ELECTRO-FAN	
30	59905203	1	TUBO A/C (624990522)	
31	59905204	1	TUBO A/C (624990521)	
32	59905205	2	BEARING ASSEMBLY	
33	59905006	8	RIBBED SCREW	
35	59905208	2	FIXING BRACKET	
36	59905142	10	WASHER M6	

SERIAL
START
923098

ROOF - AIR CONDITIONING - HEATING "LOCHMANN"

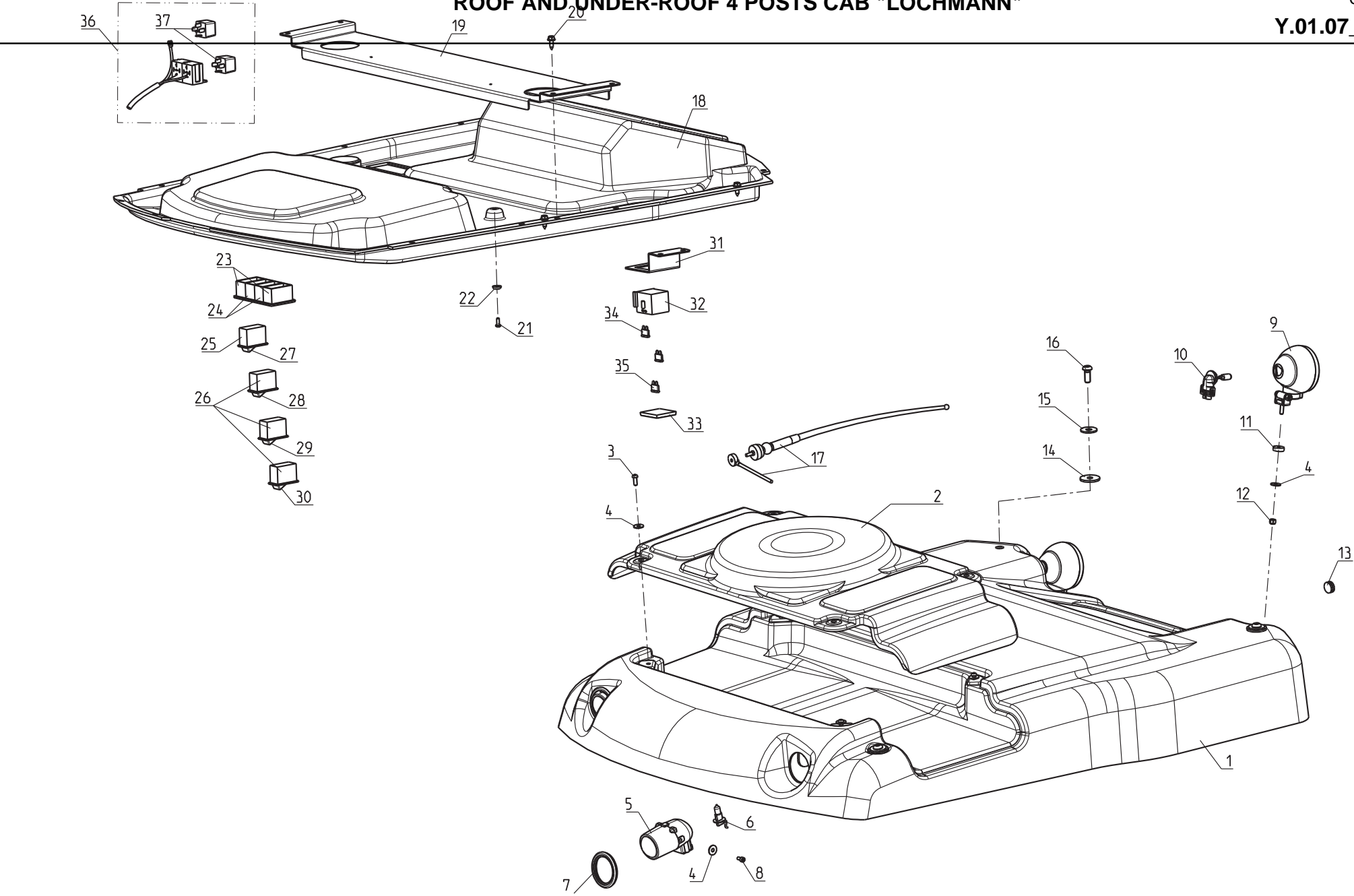
CODE REV
Y.01.06_1_77817

ROOF - AIR CONDITIONING - HEATING "LOCHMANN"



Pos.	Code	Q.ty	Description	Notes
37	59905210	6	SELFLOCK NUT M6	
38	59900731	1	AERIAL	
3a	59905194	1	ROOF FOR CABIN WITH A/C SYSTEM (706698405)	
3b	59905195	1	TETTO RISC C/VETRO (706698406)	
4a	59905196	1	COVER	
4b	59905197	1	COVER	
34a	59905206	1	LH HINGE	
34b	59905207	1	RH HINGE	

ROOF AND UNDER-ROOF 4 POSTS CAB "LOCHMANN"



Pos.	Code	Q.ty	Description	Notes
1	59905211	1	TETTO SEMICABINA (623698407)	
2	59905197	1	COVER	
3	59900750	4	SCREW	
4	59900398	8	WASHER M6X18	
5	59900727	2	HEADLIGHT	
6	59900728	2	LAMP	
7	59905198	2	GASKET	
8	59900730	4	SCREW	
9	59900751	2	WORKING SPOTLIGHT	
10	59900752	1	LAMP	
11	59905199	2	SPACER	
12	31241060	2	SELFLOCK NUT M6	
13	59900075	2	GASKET	
14	59900074	4	WASHER	
15	59900404	4	WASHER M10X36	
16	59905094	4	SCREW	
17	59900731	1	AERIAL	
18	59905150	1	LINING	
19	59905209	1	TRAVERSA (703B18499)	
20	59900395	14	RIBBED SCREW	
21	59905006	2	RIBBED SCREW	
22	59900561	2	WASHER	
23	59900051	2	SWITCH SUPPORT	
24	59900052	2	SWITCH SUPPORT	
25	59900054	1	SWITCH	
26	59900053	3	SWITCH	
27	59900669	1	GLASS	
28	59900670	1	GLASS	
29	59900671	1	GLASS	
30	59900672	1	GLASS	
31	59905176	1	SUPPORT	
32	59900058	1	FUSE-HOLDER	
33	59900057	1	COVER	
34	59900666	3	FUSE/LOCK	

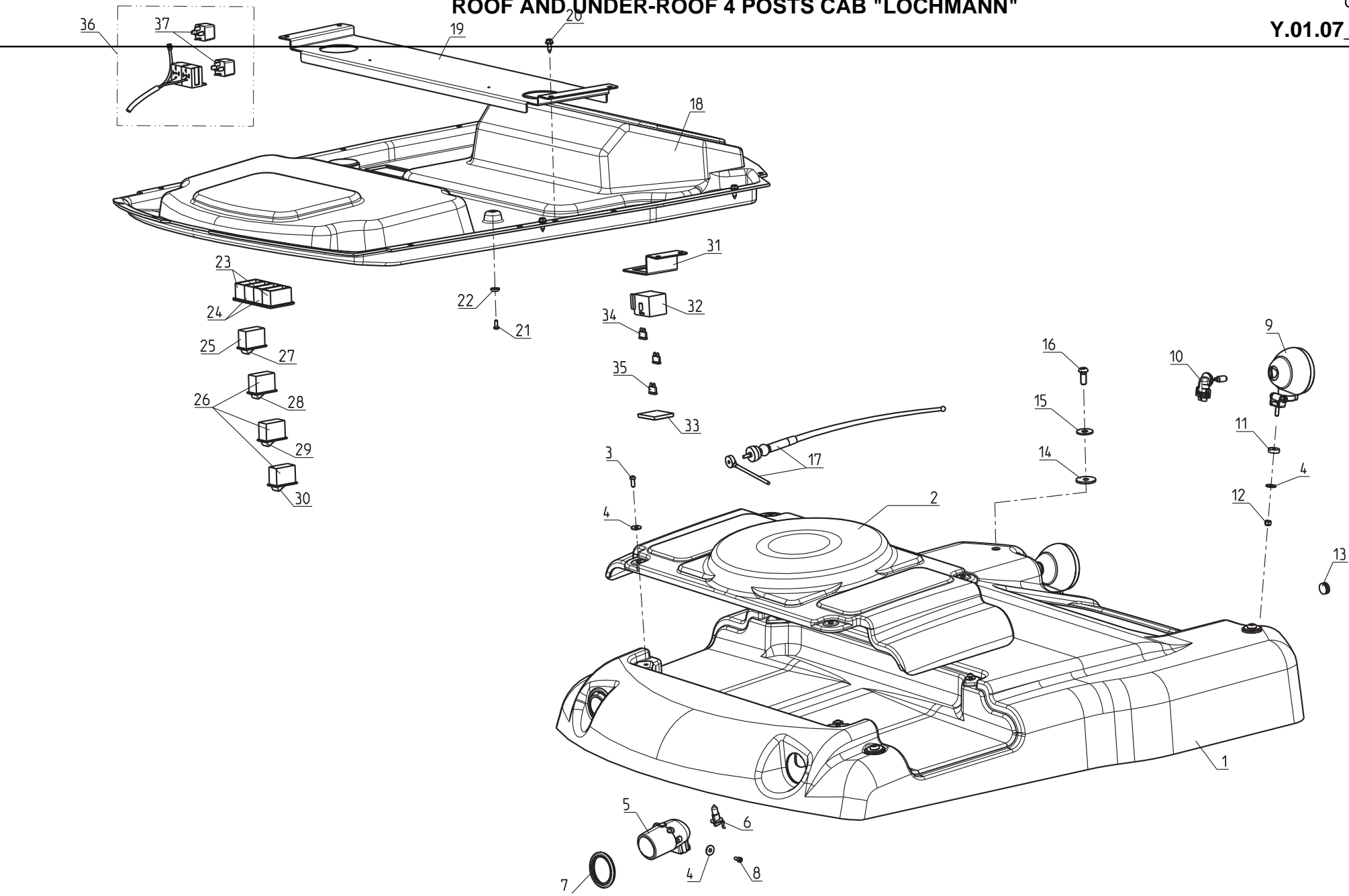
SERIAL

ROOF AND UNDER-ROOF 4 POSTS CAB "LOCHMANN"

CODE REV

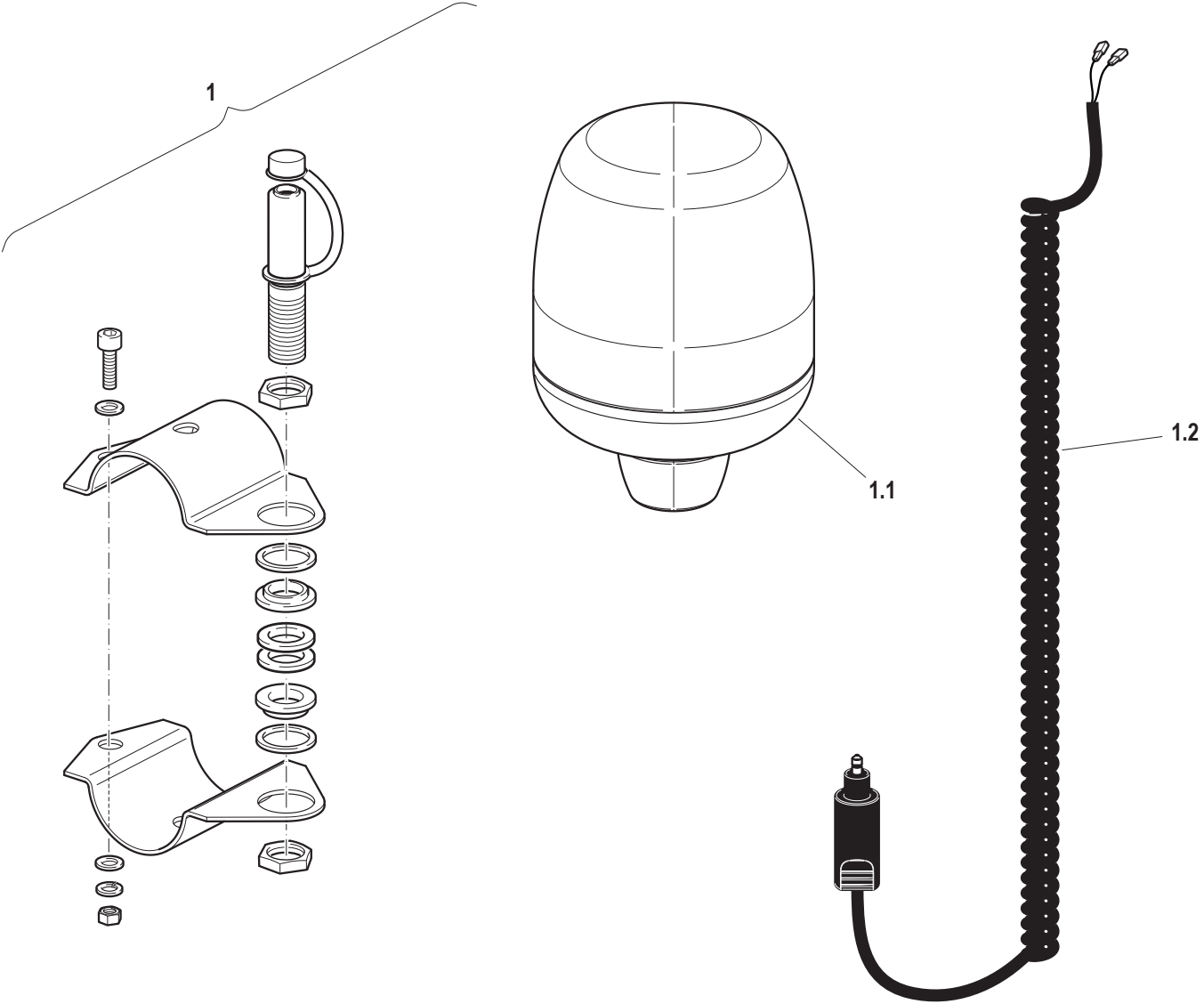
Y.01.07_0_65899

ROOF AND UNDER-ROOF 4 POSTS CAB "LOCHMANN"



Pos.	Code	Q.ty	Description	Notes
35	59900667	2	FUSE/LOCK	
36	59905147	1	ELECTRICAL SYSTEM	
37	59905088	2	RELAY	

ROTATING LAMP



Pos.	Code	Q.ty	Description	Notes
1	92481555	1	FLASH LIGHT SET	
1.1	58177756	1	ROTARY WARN. LAMP	
1.2	58177759	1	CABLE	

SERIAL

ROTATING LAMP

CODE REV

Z.01.01_0_66603

SPARE PARTS INSTANCE INDEX





SPARE PARTS INSTANCE INDEX

Code	Parts Table	Pos.	Q.ty	Code	Parts Table	Pos.	Q.ty	Code	Parts Table	Pos.	Q.ty
28177274	B.01.01_0_61903	3	1	31111091	D.02.02_0_68344	18	8	31111151	U.01.01_0_69029	19	1
30000007	C.02.02_0_68138	10	2		E.04.02_0_75965	2	4	31111164	B.04.07_0_62642	34	2
30000197	F.02.02_0_71225	17	1	31111097	A.01.01_0_62724	18	2		B.04.08_0_62680	43	2
	L.02.09_0_74355	57	1		A.01.02_0_62287	18	2	31111330	U.01.01_0_69029	16	2
	L.03.02_0_80398	35	1		A.01.03_0_62768	18	2	31112047	B.09.03_0_68460	28	1
	M.03.04_0_76502	57	1		A.01.04_0_62337	18	2		B.09.04_0_68501	28	1
30000200	L.02.08_0_74307	29	2		F.03.05_0_71400	14	2	31112082	B.01.01_0_61903	22	6
	L.02.09_0_74355	29	2		F.03.06_0_71462	14	2		B.04.07_0_62642	39	4
	L.03.02_0_80398	59	1	31111102	L.02.08_0_74307	2	2		B.04.08_0_62680	45	4
	M.03.04_0_76502	29	2		L.02.09_0_74355	2	2		D.07.01_0_68660	21	3
30000254	F.02.02_0_71225	11	2	31111151	A.01.01_0_62724	3	2		E.04.01_0_75942	3	8
30000265	F.02.02_0_71225	18	1		A.01.02_0_62287	3	2		F.02.02_0_71225	6	4
30000268	F.03.05_0_71400	49	1		A.01.03_0_62768	3	2		F.03.05_0_71400	6	1
	F.03.06_0_71462	49	1		A.01.04_0_62337	3	2		F.03.06_0_71462	6	1
30000270	F.04.02_0_72430	27	1		A.05.02_0_61870	24	1		L.01.01_0_71524	25	3
30000506	E.03.02_0_71747	11	1		A.06.01_0_62389	7	1		M.01.01_0_72462	25	3
30000514	B.03.03_0_62039	12	1		A.06.02_0_62398	7	1		M.02.02_0_76124	15	1
30000777	C.02.02_0_68138	2	1		B.04.07_0_62642	27	2		M.03.04_0_76502	66	1
30000782	L.03.02_0_80398	56	1		B.04.08_0_62680	25	2		M.03.04_0_76502	69	1
30000787	F.03.05_0_71400	9	1		B.04.08_0_62680	36	2	31112090	A.01.01_0_62724	35	1
	F.03.06_0_71462	9	1		B.05.05_0_63001	16	8		A.01.02_0_62287	35	1
	L.03.02_0_80398	46	2		B.05.06_0_63045	16	8		A.01.03_0_62768	35	1
30000996	W.01.02_0_63140	11	1		B.09.03_0_68460	2	4		A.01.04_0_62337	35	1
30030016	A.02.02_0_61737	4	2		B.12.06_0_62193	10	5		A.03.01_0_61765	4	4
30040015	F.02.02_0_71225	16	1		B.12.07_0_62208	10	5		C.01.02_0_68090	17	5
31100922	C.02.02_0_68138	12	1		F.01.04_0_71182	23	3	31112093	C.02.02_0_68138	40	4
31111084	B.08.01_0_67961	15	4		L.01.01_0_71524	18	2		D.03.02_0_68417	12	2
31111089	E.04.01_0_75942	8	2		L.02.08_0_74307	17	1		D.16.02_0_68980	33	1
	E.04.02_0_75965	13	2		L.02.09_0_74355	17	2		M.02.02_0_76124	21	2
	T.01.06_0_71844	33	4		L.03.02_0_80398	17	2		T.01.04_0_71638	18	1
31111090	E.03.02_0_71747	16	2		M.01.01_0_72462	18	2		T.01.05_0_71661	18	5
	M.02.02_0_76124	11	4		M.02.02_0_76124	2	4		T.01.06_0_71844	44	5
31111091	B.02.01_1_75789	5	4		M.03.04_0_76502	17	2		Y.01.02_0_65668	17	2
	D.02.01_0_68309	18	8		T.01.04_0_71638	3	1		Y.01.05_1_77860	61	6

SPARE PARTS INSTANCE INDEX

Code	Parts Table	Pos.	Q.ty	Code	Parts Table	Pos.	Q.ty	Code	Parts Table	Pos.	Q.ty
31112096	A.05.02_0_61870	28	2	31112150	M.02.02_0_76124	5	2	31112210	A.01.01_0_62724	29	1
	B.02.01_1_75789	27	2	31112151	A.01.01_0_62724	4	4		A.01.02_0_62287	29	1
31112097	L.03.02_0_80398	2	2		A.01.02_0_62287	4	4		A.01.03_0_62768	29	1
31112146	B.04.07_0_62642	4	4		A.01.03_0_62768	4	4		A.01.04_0_62337	29	1
	B.04.08_0_62680	4	4		A.01.04_0_62337	4	4		A.05.02_0_61870	15	2
	D.03.02_0_68417	15	2		A.03.01_0_61765	13	1		B.05.05_0_63001	21	2
	D.05.04_0_68629	8	2		B.01.01_0_61903	8	1		B.05.06_0_63045	21	2
	F.03.05_0_71400	44	2		G.01.01_0_76014	14	1		E.02.01_0_66571	4	1
	F.03.06_0_71462	44	2	31112152	A.01.01_0_62724	13	1		F.01.04_0_71182	12	2
	L.03.02_0_80398	5	2		A.01.02_0_62287	13	1		F.03.05_0_71400	11	1
31112147	D.06.01_0_69050	27	1		A.01.03_0_62768	13	1		F.03.06_0_71462	11	1
31112149	A.01.01_0_62724	34	1		A.01.04_0_62337	13	1		G.01.01_0_76014	6	3
	A.01.02_0_62287	34	1	31112154	L.01.01_0_71524	8	1		L.02.08_0_74307	21	2
	A.01.03_0_62768	34	1		M.01.01_0_72462	8	1		L.02.09_0_74355	21	2
	A.01.04_0_62337	34	1	31112161	D.13.01_0_68848	15	2		L.03.02_0_80398	20	2
	A.04.01_1_61804	3	1	31112174	A.01.01_0_62724	8	1		T.01.06_0_71844	4	2
	A.04.02_1_61820	3	1		A.01.02_0_62287	8	1	31112211	C.01.02_0_68090	8	4
	T.01.06_0_71844	36	2		A.01.03_0_62768	8	1		F.03.05_0_71400	3	2
31112150	A.01.01_0_62724	42	3		A.01.04_0_62337	8	1		F.03.06_0_71462	3	2
	A.01.03_0_62768	44	3		G.01.01_0_76014	8	1		L.01.01_0_71524	5	4
	B.01.01_0_61903	5	2	31112178	L.02.09_0_74355	50	3		M.01.01_0_72462	5	4
	B.02.01_1_75789	19	2		M.03.04_0_76502	50	3		T.01.04_0_71638	8	4
	B.03.03_0_62039	15	10	31112208	A.06.01_0_62389	2	1		T.01.05_0_71661	8	6
	B.03.04_0_62070	6	10		A.06.02_0_62398	2	1		T.01.06_0_71844	12	6
	B.04.08_0_62680	13	4		B.04.07_0_62642	31	2	31112212	L.01.01_0_71524	6	4
	B.04.08_0_62680	24	2		B.04.08_0_62680	40	2		M.01.01_0_72462	6	4
	B.09.04_0_68501	2	4		B.05.05_0_63001	36	1		M.01.01_0_72462	35	4
	C.02.02_0_68138	25	6		B.05.06_0_63045	36	1		U.01.01_0_69029	13	8
	D.06.01_0_69050	13	2		D.06.01_0_69050	35	1	31112213	F.01.04_0_71182	8	1
	D.16.02_0_68980	2	3		E.02.01_0_66571	10	1	31112214	C.01.02_0_68090	7	2
	F.01.04_0_71182	15	2		F.02.02_0_71225	4	2	31112215	D.05.04_0_68629	6	2
	G.01.01_0_76014	15	1		L.02.08_0_74307	11	2	31112219	A.03.01_0_61765	36	1
	L.02.08_0_74307	4	2		L.02.09_0_74355	11	4		B.04.07_0_62642	7	8
	L.02.09_0_74355	4	2		M.03.04_0_76502	11	2		B.04.08_0_62680	7	8

SPARE PARTS INSTANCE INDEX

Code	Parts Table	Pos.	Q.ty	Code	Parts Table	Pos.	Q.ty	Code	Parts Table	Pos.	Q.ty
31112219	B.08.01_0_67961	6	4	31152083	D.02.02_0_68344	29	1	31211080	A.05.02_0_61870	8	6
	C.03.03_0_68222	10	4		F.01.04_0_71182	2	4		B.02.01_1_75789	20	2
	L.03.02_0_80398	9	4	31152085	D.13.01_0_68848	14	2		B.02.01_1_75789	34	2
	M.03.04_0_76502	21	2	31152088	A.01.02_0_62287	45	2		B.03.03_0_62039	30	6
	U.01.01_0_69029	10	14		A.01.04_0_62337	47	2		B.03.04_0_62070	18	6
31112224	A.05.02_0_61870	12	2		B.02.01_1_75789	36	2		B.04.07_0_62642	9	6
31112229	A.03.01_0_61765	10	2	31152098	B.05.05_0_63001	20	2		B.04.08_0_62680	9	6
31112263	B.09.03_0_68460	6	2		B.05.06_0_63045	20	2		B.05.05_0_63001	18	6
	B.09.04_0_68501	6	2	31152103	U.01.01_0_69029	12	2		B.05.06_0_63045	18	6
31112264	B.05.05_0_63001	2	4	31200501	A.04.01_1_61804	6	1		C.02.02_0_68138	32	1
	B.05.06_0_63045	2	4		A.04.02_1_61820	6	1		D.01.02_0_68281	2	1
	C.01.02_0_68090	6	7	31211040	B.08.01_0_67961	17	4		D.14.01_0_68864	34	6
	L.02.09_0_74355	60	2	31211050	E.03.02_0_71747	6	3	31211100	B.05.05_0_63001	10	2
	L.03.02_0_80398	72	2		E.04.01_0_75942	11	2		C.01.02_0_68090	9	2
	M.03.04_0_76502	60	2		E.04.02_0_75965	16	2		F.01.04_0_71182	9	1
31112272	B.03.03_0_62039	3	8	31211060	A.01.01_0_62724	21	2	31211140	U.01.01_0_69029	15	2
	B.03.04_0_62070	3	8		A.01.02_0_62287	21	2	31212100	B.05.05_0_63001	38	1
31112328	B.01.01_0_61903	30	2		A.01.03_0_62768	21	2		B.05.06_0_63045	38	1
	U.01.01_0_69029	14	2		A.01.04_0_62337	21	2		D.16.02_0_68980	31	1
31112445	U.01.01_0_69029	18	2		A.03.01_0_61765	5	2	31221120	B.05.06_0_63045	10	2
31112703	B.05.06_0_63045	8	2		B.04.07_0_62642	24	4		B.09.03_0_68460	7	2
31132440	D.06.01_0_69050	15	2		B.05.05_0_63001	24	8	31231080	A.02.02_0_61737	11	4
	D.06.01_0_69050	31	1		C.01.02_0_68090	18	1		A.02.02_0_61737	23	3
	F.03.05_0_71400	56	1		E.04.02_0_75965	10	2		B.01.01_0_61903	15	1
	F.03.06_0_71462	56	1		F.03.05_0_71400	13	2	31231120	D.04.01_0_68445	13	4
31132562	A.02.02_0_61737	17	2		F.03.06_0_71462	13	2		D.05.04_0_68629	17	2
	D.16.02_0_68980	24	1		Y.01.02_0_65668	24	3	31241060	T.01.04_0_71638	20	1
	T.01.06_0_71844	21	4		Y.01.03_0_65695	12	3		T.01.05_0_71661	20	1
31132566	B.09.03_0_68460	39	4		Y.01.04_0_65747	11	4		T.01.06_0_71844	46	1
	B.09.04_0_68501	39	4	31211080	A.01.01_0_62724	7	4		Y.01.01_0_65609	54	1
31133590	D.06.01_0_69050	16	1		A.01.02_0_62287	7	4		Y.01.04_0_65747	24	2
31133600	A.03.01_0_61765	37	1		A.01.03_0_62768	7	4		Y.01.06_1_77817	15	2
	B.04.07_0_62642	36	4		A.01.04_0_62337	7	4		Y.01.07_0_65899	12	2
	B.04.08_0_62680	28	4		A.03.01_0_61765	14	1	31241080	B.01.01_0_61903	11	1

SPARE PARTS INSTANCE INDEX

Code	Parts Table	Pos.	Q.ty	Code	Parts Table	Pos.	Q.ty	Code	Parts Table	Pos.	Q.ty
31241080	Y.01.01_0_65609	44	1	31411064	D.02.01_0_68309	33	2	31411084	Y.01.04_0_65747	9	4
	Y.01.02_0_65668	11	4		D.02.02_0_68344	33	2	31411090	A.01.01_0_62724	14	1
	Y.01.03_0_65695	34	2		D.06.01_0_69050	22	1		A.01.02_0_62287	14	1
31241081	B.01.01_0_61903	19	1		E.03.02_0_71747	17	2		A.01.03_0_62768	14	1
	B.02.01_1_75789	3	2		E.04.01_0_75942	4	4		A.01.04_0_62337	14	1
	B.02.01_1_75789	24	1		E.04.02_0_75965	3	6		B.01.01_0_61903	10	1
	B.09.03_0_68460	36	1		F.02.02_0_71225	7	2		B.04.08_0_62680	23	4
	B.09.04_0_68501	36	1		Y.01.02_0_65668	16	1		Y.01.02_0_65668	10	4
	G.01.01_0_76014	9	1		Y.01.03_0_65695	23	1	31411104	B.05.05_0_63001	9	2
	Y.01.03_0_65695	43	2		Y.01.04_0_65747	22	4		M.02.02_0_76124	23	4
	Y.01.04_0_65747	17	1	31411066	A.03.01_0_61765	7	6		M.02.02_0_76124	26	1
31241100	Y.01.01_0_65609	33	1		B.03.03_0_62039	21	6	31411105	B.05.05_0_63001	37	1
	Y.01.03_0_65695	48	1		T.01.04_0_71638	19	1		B.05.06_0_63045	37	1
31241101	A.02.02_0_61737	6	2		T.01.05_0_71661	19	1		D.03.02_0_68417	27	1
31241142	M.01.01_0_72462	41	1		T.01.06_0_71844	45	1		D.05.04_0_68629	29	4
31241181	D.03.02_0_68417	23	1	31411084	A.05.02_0_61870	21	1		D.06.01_0_69050	11	1
31312089	D.14.01_0_68864	33	6		B.01.01_0_61903	6	3		L.03.02_0_80398	11	4
31400300	D.06.01_0_69050	24	2		B.01.01_0_61903	20	1		T.01.06_0_71844	30	2
31400302	D.06.01_0_69050	26	1		B.02.01_1_75789	22	2		Y.01.01_0_65609	31	2
31411053	E.04.01_0_75942	9	2		B.02.01_1_75789	25	1		Y.01.03_0_65695	47	1
	E.04.02_0_75965	14	2		B.02.01_1_75789	32	2	31411130	B.05.06_0_63045	9	2
31411064	A.01.01_0_62724	19	2		B.03.03_0_62039	29	6		D.04.01_0_68445	11	2
	A.01.02_0_62287	19	2		B.03.04_0_62070	17	6		D.05.04_0_68629	20	2
	A.01.03_0_62768	19	2		B.04.07_0_62642	11	16	31411150	B.01.01_0_61903	32	2
	A.01.04_0_62337	19	2		B.04.08_0_62680	11	16	31411170	D.16.02_0_68980	16	1
	B.01.01_0_61903	24	4		B.05.05_0_63001	19	6		U.01.01_0_69029	9	2
	B.02.01_1_75789	10	6		B.05.06_0_63045	19	6	31411210	D.02.01_0_68309	28	1
	B.03.03_0_62039	28	6		B.09.03_0_68460	4	5	31411212	T.01.06_0_71844	7	2
	B.03.04_0_62070	16	6		B.09.04_0_68501	4	5	31413042	B.02.01_1_75789	15	4
	B.04.07_0_62642	18	8		D.14.01_0_68864	37	1	31414400	L.01.01_0_71524	12	2
	B.04.08_0_62680	18	8		F.03.05_0_71400	45	2		M.01.01_0_72462	12	1
	B.05.05_0_63001	26	8		F.03.06_0_71462	45	2	31421083	A.01.01_0_62724	15	1
	B.05.06_0_63045	26	8		G.01.01_0_76014	10	1		A.01.02_0_62287	15	1
	C.01.02_0_68090	19	5		Y.01.03_0_65695	33	4		A.01.03_0_62768	15	1

SPARE PARTS INSTANCE INDEX

Code	Parts Table	Pos.	Q.ty	Code	Parts Table	Pos.	Q.ty	Code	Parts Table	Pos.	Q.ty
31421083	A.01.04_0_62337	15	1	35121030	D.07.01_0_68660	11	1	38116317	D.15.01_0_68904	35	1
	C.02.02_0_68138	26	6		D.14.01_0_68864	2	1	38118720	D.15.01_0_68904	29	1
	G.01.01_0_76014	16	2	35121040	D.02.01_0_68309	3	1	38211601	D.16.02_0_68980	15	2
31450060	D.07.01_0_68660	22	3		D.02.02_0_68344	3	1	38212006	D.11.02_0_68825	1	1
	L.01.01_0_71524	26	3		D.14.01_0_68864	3	2	38212503	D.02.01_0_68309	30	1
	M.01.01_0_72462	26	3	35131026	D.03.02_0_68417	19	2		D.02.02_0_68344	30	1
31480191	C.03.03_0_68222	2	1		D.05.04_0_68629	14	2	39118050	W.01.01_0_63109	12	1
31510090	B.02.01_1_75789	14	4		D.09.01_0_68726	1	1	39121800	W.01.01_0_63109	13	4
31510096	B.08.01_0_67961	10	8		L.01.01_0_71524	20	2	50974166	D.07.01_0_68660	17	1
33312508	G.01.01_0_76014	13	2		M.01.01_0_72462	20	2	51171603	C.03.03_0_68222	5	1
34110021	D.06.01_0_69050	23	1	35211060	B.02.01_1_75789	30	1	51171604	C.03.03_0_68222	6	1
34110030	M.02.02_0_76124	24	1	37111400	D.02.01_0_68309	5	2	51171621	D.10.02_0_68775	26	1
	T.01.06_0_71844	9	2		D.02.02_0_68344	5	2	51171842	D.02.01_0_68309	24	1
34110051	T.01.05_0_71661	26	2	37111404	D.14.01_0_68864	23	1		D.02.02_0_68344	24	1
34211028	B.09.03_0_68460	24	1	37111460	D.02.01_0_68309	19	1	51172508	D.12.01_0_63087	3	2
	B.09.04_0_68501	24	1		D.02.02_0_68344	19	1	51172563	W.01.01_0_63109	17	1
34211054	D.16.02_0_68980	8	2	37111461	D.15.01_0_68904	22	1		W.01.02_0_63140	13	1
34211064	T.03.03_0_75993	18	1	37112172	A.01.01_0_62724	32	1	51172962	M.01.01_0_72462	40	1
34213020	M.02.02_0_76124	33	1		A.01.02_0_62287	32	1	51173115	M.01.01_0_72462	38	1
34213054	D.16.02_0_68980	21	2		A.01.03_0_62768	32	1	51175011	T.03.02_0_69087	1.2	1
34240085	T.01.06_0_71844	19	2		A.01.04_0_62337	32	1	51179030	C.03.03_0_68222	1	1
	T.01.06_0_71844	40	2	37112249	C.02.02_0_68138	33	1	51179309	U.01.01_0_69029	1	4
35111027	D.02.04_0_68388	6	1	37112503	D.15.01_0_68904	4	1	51179547	L.01.01_0_71524	1	1
35111042	D.11.02_0_68825	2	2	37120000	D.09.01_0_68726	14	1	51179555	M.01.01_0_72462	1	1
35111047	A.01.01_0_62724	33	1	37120100	D.09.01_0_68726	2	1	51179583	B.01.01_0_61903	1	1
	A.01.02_0_62287	33	1	37221300	D.01.02_0_68281	10	2	511A0116	D.05.04_0_68629	1	1
	A.01.03_0_62768	33	1	37321317	D.14.01_0_68864	14	2	511A0635	C.01.02_0_68090	1	1
	A.01.04_0_62337	33	1	37931413	D.14.01_0_68864	16	1	51271615	D.13.01_0_68848	9	1
35111052	C.02.02_0_68138	34	2	38110992	F.04.02_0_72430	10	2	51271647	D.13.01_0_68848	8	1
35111063	D.01.02_0_68281	11	2	38112200	D.16.02_0_68980	5	1	51272405	D.10.02_0_68775	15	1
35111080	D.14.01_0_68864	24	1		F.01.04_0_71182	6	1	51279318	D.10.02_0_68775	16	1
35121018	D.06.01_0_69050	25	1	38112670	D.01.02_0_68281	12	1	512A0109	C.03.03_0_68222	7	1
35121022	D.02.01_0_68309	29	1	38112982	F.04.02_0_72430	2	1	512A0110	C.03.03_0_68222	8	1
35121025	C.02.02_0_68138	29	2	38113142	F.01.04_0_71182	22	1	512A0909	C.01.02_0_68090	2	1

SPARE PARTS INSTANCE INDEX

Code	Parts Table	Pos.	Q.ty	Code	Parts Table	Pos.	Q.ty	Code	Parts Table	Pos.	Q.ty
512A0910	C.01.02_0_68090	3	1	52473796	D.08.01_0_68685	17	1	52479234	D.14.01_0_68864	18	1
51374866	D.01.02_0_68281	20	1	52473812	D.08.01_0_68685	6	1	52479235	D.14.01_0_68864	21	1
	D.11.02_0_68825	11	1	52473813	D.08.01_0_68685	6	1	52479236	D.15.01_0_68904	24	1
51379585	M.01.01_0_72462	34	1	52473815	D.09.01_0_68726	3	1	52479238	D.15.01_0_68904	26	1
52071702	D.02.01_0_68309	17	4	52473920	D.12.01_0_63087	4	2	52479321	D.16.02_0_68980	22	2
	D.02.02_0_68344	17	4	52473921	D.12.01_0_63087	12	6	52479521	D.02.04_0_68388	1	1
52172158	C.02.02_0_68138	23	1	52473922	D.11.02_0_68825	17	2	52572605	D.11.02_0_68825	16	1
52172159	C.02.02_0_68138	23	1	52474190	D.14.01_0_68864	1	1	52572606	D.11.02_0_68825	15	1
52172160	C.02.02_0_68138	23	1	52474239	D.09.01_0_68726	3	1	52579229	D.15.01_0_68904	18	1
52172161	C.02.02_0_68138	23	1	52475921	D.07.01_0_68660	7.1	2	53273891	D.15.01_0_68904	34	1
52172162	C.02.02_0_68138	23	1	52477986	D.09.01_0_68726	12	1	53279226	D.15.01_0_68904	8	1
52275923	D.10.02_0_68775	12	1	52477987	D.09.01_0_68726	3	1	55072935	B.05.05_0_63001	23	4
52275924	D.10.02_0_68775	14	1	52479152	D.09.01_0_68726	15	1	55170047	D.04.01_0_68445	9	2
52371679	D.16.02_0_68980	4	1	52479153	D.09.01_0_68726	7	1	55170053	D.10.02_0_68775	3	3
52371733	D.02.01_0_68309	26	1	52479154	D.07.01_0_68660	6	1	55172608	C.02.02_0_68138	37	2
	D.02.02_0_68344	26	1	52479155	D.07.01_0_68660	9	1	55174162	B.09.03_0_68460	16	1
52372292	D.15.01_0_68904	16	1	52479156	D.07.01_0_68660	13	1		B.09.04_0_68501	16	1
52373177	D.05.04_0_68629	16	2	52479157	D.08.01_0_68685	25	1	55174163	B.09.03_0_68460	15	2
52373240	D.10.02_0_68775	13	1	52479158	D.07.01_0_68660	16	1		B.09.04_0_68501	15	2
52374182	D.10.02_0_68775	19	1	52479160	D.08.01_0_68685	23	1	55174632	A.03.01_0_61765	18	1
52378576	D.13.01_0_68848	1	1	52479161	D.09.01_0_68726	13	1	55174760	A.04.02_1_61820	9	1
523A0166	C.02.02_0_68138	21	2	52479162	D.08.01_0_68685	15	1	55177639	A.03.01_0_61765	20	1
523A0340	D.10.02_0_68775	20	2	52479163	D.08.01_0_68685	7	1	55178581	D.16.02_0_68980	35	1
52471459	D.08.01_0_68685	20	1	52479164	D.08.01_0_68685	12	1		L.02.08_0_74307	20	3
52471509	D.01.02_0_68281	19	2	52479165	D.09.01_0_68726	9	1		L.02.09_0_74355	20	5
	D.11.02_0_68825	8	2	52479217	D.02.01_0_68309	13	1		M.03.04_0_76502	70	3
52471513	D.01.02_0_68281	15	1		D.02.02_0_68344	13	1	55277307	A.02.02_0_61737	15	2
	D.11.02_0_68825	6	1	52479220	D.14.01_0_68864	6	1	55279677	A.05.02_0_61870	1	1
52471516	D.01.02_0_68281	16	1	52479222	D.14.01_0_68864	13	1	55279802	B.02.01_1_75789	7	1
	D.11.02_0_68825	7	1	52479223	D.14.01_0_68864	11	1	55279803	B.02.01_1_75789	8	1
52472430	D.16.02_0_68980	6	1	52479225	D.14.01_0_68864	10	1	55279804	B.03.03_0_62039	22	1
52473721	D.08.01_0_68685	19	1	52479231	D.15.01_0_68904	19	1		B.03.04_0_62070	10	1
52473789	D.08.01_0_68685	6	1	52479232	D.15.01_0_68904	20	1	55279805	B.03.03_0_62039	23	1
52473791	D.09.01_0_68726	3	1	52479233	D.14.01_0_68864	17	1		B.03.04_0_62070	11	1

SPARE PARTS INSTANCE INDEX

Code	Parts Table	Pos.	Q.ty	Code	Parts Table	Pos.	Q.ty	Code	Parts Table	Pos.	Q.ty
55279806	B.05.05_0_63001	27	1	560A0337	B.04.07_0_62642	26	1	560A1028	T.01.06_0_71844	28	2
	B.05.06_0_63045	27	1		B.04.08_0_62680	35	1	560A1029	T.01.06_0_71844	29	2
55279807	B.05.05_0_63001	28	1	560A0338	B.04.07_0_62642	30	1	560A1098	L.03.02_0_80398	8	1
	B.05.06_0_63045	28	1		B.04.08_0_62680	39	1	560A1099	L.03.02_0_80398	7	1
55279820	B.08.01_0_67961	8/1	1	560A0362	B.04.07_0_62642	28	2	560A1103	F.02.02_0_71225	22	1
55279821	B.08.01_0_67961	12/3	1		B.04.08_0_62680	37	2		L.03.02_0_80398	32	1
55279823	B.08.01_0_67961	12/1	1	560A0363	B.04.07_0_62642	32	2	560A1166	E.04.02_0_75965	7	1
55279866	B.02.01_1_75789	12	1		B.04.08_0_62680	41	2	560A1167	E.04.02_0_75965	8	1
55279867	B.02.01_1_75789	13	1	560A0372	D.06.01_0_69050	30	1	56170017	L.01.01_0_71524	3	1
552A0542	B.08.01_0_67961	8/2	1	560A0414	B.09.03_0_68460	8	1		M.01.01_0_72462	3	1
56072960	M.01.01_0_72462	30	1		B.09.04_0_68501	8	1	56170043	D.04.01_0_68445	10	2
56073148	M.01.01_0_72462	33	1	560A0440	B.09.03_0_68460	27	1	56170226	C.02.02_0_68138	19	1
56074233	T.01.04_0_71638	6	1		B.09.04_0_68501	27	1	56171233	E.02.01_0_66571	9	1
	T.01.05_0_71661	6	1	560A0488	E.04.01_0_75942	18	1	56171499	D.02.01_0_68309	15	4
56074234	T.01.04_0_71638	7	1		E.04.02_0_75965	23	1		D.02.02_0_68344	15	4
	T.01.05_0_71661	7	1	560A0494	A.02.02_0_61737	18	2	56171671	D.01.02_0_68281	7	1
56074313	D.14.01_0_68864	27	1	560A0522	B.04.08_0_62680	33	1	56171672	D.01.02_0_68281	9	1
56075018	T.03.02_0_69087	1.1	1	560A0523	B.04.08_0_62680	34	1	56171775	A.05.02_0_61870	14	2
56075197	M.02.02_0_76124	18	1	560A0524V	B.04.08_0_62680	31	1	56171787	D.05.04_0_68629	15	2
	M.03.04_0_76502	4	1	560A0525V	B.04.08_0_62680	32	1	56171934	D.02.01_0_68309	8	1
56075265	M.02.02_0_76124	22	1	560A0552	B.04.08_0_62680	29	1		D.02.02_0_68344	8	1
56075473	M.02.02_0_76124	20	1	560A0553	B.04.08_0_62680	30	1	56171996	A.01.03_0_62768	43	1
56077608	A.05.02_0_61870	5	3	560A0597	B.04.07_0_62642	38	1		A.01.04_0_62337	43	1
56077760	M.02.02_0_76124	19	1		B.04.08_0_62680	44	1	56172080	A.01.01_0_62724	9	2
	M.03.04_0_76502	6	1	560A0646	F.03.05_0_71400	41	1		A.01.02_0_62287	9	2
56079664	B.04.07_0_62642	3	1		F.03.06_0_71462	41	1		A.01.03_0_62768	9	2
	B.04.08_0_62680	3	1	560A0651	F.03.05_0_71400	55	1		A.01.04_0_62337	9	2
56079676	D.03.02_0_68417	11	1		F.03.06_0_71462	55	1	56172163	C.02.02_0_68138	38	2
56079984N	B.02.01_1_75789	1.1	1	560A0652	F.03.05_0_71400	58	1	56172172	B.12.01_0_62089	6/2	1
56079985N	B.02.01_1_75789	1.3	1		F.03.06_0_71462	58	1		B.12.02_0_62110	6/2	1
56079986N	B.02.01_1_75789	1.4	1	560A0654	F.03.05_0_71400	7	1		B.12.03_0_62131	6/2	1
56079987N	B.02.01_1_75789	1.2	1		F.03.06_0_71462	7	1		B.12.05_0_62172	6/2	1
56079988N	B.02.01_1_75789	1.5	2	560A1025	T.01.06_0_71844	20	2	56172547	L.02.08_0_74307	26	1
560A0221	D.14.01_0_68864	35	1	560A1027	T.01.06_0_71844	27	2		L.02.09_0_74355	26	1

SPARE PARTS INSTANCE INDEX

Code	Parts Table	Pos.	Q.ty	Code	Parts Table	Pos.	Q.ty	Code	Parts Table	Pos.	Q.ty
56172547	L.03.02_0_80398	25	1	56179322	D.16.02_0_68980	23	1	561A0025	B.05.05_0_63001	22	2
	M.03.04_0_76502	26	1	56179326	T.03.01_0_69018	2	1	561A0055	B.03.03_0_62039	24	1
56173919	D.12.01_0_63087	7	2		T.03.02_0_69087	2	1		B.03.04_0_62070	12	1
56174462	B.09.03_0_68460	20	1	56179327	T.03.01_0_69018	3	1	561A0056	B.03.03_0_62039	25	1
	B.09.04_0_68501	20	1		T.03.02_0_69087	3	1		B.03.04_0_62070	13	1
56174658	B.01.01_0_61903	7	1	56179473	T.01.06_0_71844	18	2	561A0081	A.04.01_1_61804	5	1
56174659	B.01.01_0_61903	9	1	56179531	F.04.02_0_72430	9	1		A.04.02_1_61820	5	1
56174763	F.01.04_0_71182	11	1	56179565	F.03.05_0_71400	31	1	561A0083	A.03.01_0_61765	12	1
56174835	B.02.01_1_75789	29	1		F.03.06_0_71462	31	1	561A0084	B.02.01_1_75789	18	1
56174873	B.01.01_0_61903	29	1	56179573	B.09.03_0_68460	33	1	561A0099V	B.04.07_0_62642	13	1
56176054	F.03.05_0_71400	23	1		B.09.04_0_68501	33	1	561A0100V	B.04.07_0_62642	14	1
	F.03.06_0_71462	23	1	56179625	B.01.01_0_61903	4	1	561A0102	A.06.01_0_62389	6	1
56176696	A.05.02_0_61870	6	3	56179763	D.06.01_0_69050	19	1		A.06.02_0_62398	6	1
56176814	A.05.02_0_61870	7	3	56179766	D.06.01_0_69050	6	1	561A0167	C.02.02_0_68138	20	2
56177045	B.03.03_0_62039	26	4	56179767	D.06.01_0_69050	34	1	561A0202V	B.04.07_0_62642	15	1
	B.03.04_0_62070	14	4	56179770	D.06.01_0_69050	4	1		B.04.08_0_62680	15	1
	B.05.05_0_63001	42	4	56179791	T.01.04_0_71638	13	2	561A0268	G.01.01_0_76014	17	1
	B.05.06_0_63045	24	4		T.01.05_0_71661	13	2	561A0283	B.09.03_0_68460	32	1
56177086	B.08.01_0_67961	4	1	56179825	T.01.05_0_71661	32	2		B.09.04_0_68501	32	1
56177190	A.01.01_0_62724	11	1	56179896	T.01.05_0_71661	28	2	561A0284V	B.04.07_0_62642	16	1
	A.01.02_0_62287	11	1	56179956	L.02.09_0_74355	51	1		B.04.08_0_62680	16	1
	A.01.03_0_62768	11	1		M.03.04_0_76502	51	1	561A0297	B.01.01_0_61903	28	1
	A.01.04_0_62337	11	1	56179990	B.02.01_1_75789	4	1	561A0342	E.04.01_0_75942	2	4
56177222	B.05.06_0_63045	6	2	56179997	B.02.01_1_75789	16	4	561A0385	B.01.01_0_61903	18	1
56177648	A.02.02_0_61737	10	2	561A0002	L.02.08_0_74307	3	1	561A0391	A.05.02_0_61870	27	1
56177656	A.02.02_0_61737	22	3		L.02.09_0_74355	3	1	561A0430	D.16.02_0_68980	7	1
	B.01.01_0_61903	14	1	561A0003	L.02.08_0_74307	6	1	561A0432	B.05.05_0_63001	7	2
56177660	B.12.02_0_62110	15	1		L.02.09_0_74355	6	1		B.05.06_0_63045	5	2
	B.12.05_0_62172	15	1	561A0004	L.02.08_0_74307	8	1	561A0448	M.02.02_0_76124	4	1
56177938	E.04.01_0_75942	14	1		L.02.09_0_74355	8	1	561A0476	M.02.02_0_76124	6	1
	E.04.02_0_75965	19	1	561A0005	L.02.09_0_74355	52	1	561A0485	M.02.02_0_76124	8	1
56178591	B.12.07_0_62208	14	1		M.03.04_0_76502	52	1	561A0487	B.08.01_0_67961	13	1
56178695	F.04.02_0_72430	21	3	561A0006	L.02.09_0_74355	54	1	561A0493	A.02.02_0_61737	20	1
56179308	U.01.01_0_69029	7	2		M.03.04_0_76502	54	1	561A0521	U.01.01_0_69029	6	2

SPARE PARTS INSTANCE INDEX

Code	Parts Table	Pos.	Q.ty	Code	Parts Table	Pos.	Q.ty	Code	Parts Table	Pos.	Q.ty
561A0546	L.02.08_0_74307	25	1	56370228	L.01.01_0_71524	4	1	56371670	D.01.02_0_68281	12	1
	L.02.09_0_74355	25	1		M.01.01_0_72462	4	1	56371708	D.04.01_0_68445	6	2
	L.03.02_0_80398	24	1	56370539	W.01.01_0_63109	20	3	56371714	D.03.02_0_68417	8	2
	M.03.04_0_76502	25	1		W.01.02_0_63140	16	3	56371715	D.03.02_0_68417	9	2
561A0549	M.03.04_0_76502	48	1	56370583	D.13.01_0_68848	11	1	56371994	D.01.02_0_68281	18	1
561A0550	M.03.04_0_76502	9	1	56371440	D.07.01_0_68660	3	2		D.11.02_0_68825	9	1
561A0579	A.01.01_0_62724	10	1	56371575	D.12.01_0_63087	5	1	56372067	T.03.01_0_69018	7	4
	A.01.02_0_62287	10	1	56371576	D.12.01_0_63087	5	1	56372086	T.01.04_0_71638	14	2
	A.01.03_0_62768	10	1	56371577	D.12.01_0_63087	5	1		T.01.05_0_71661	14	2
	A.01.04_0_62337	10	1	56371578	D.12.01_0_63087	5	1	56372282	D.15.01_0_68904	12	1
561A0647	F.03.05_0_71400	57	2	56371579	D.12.01_0_63087	5	1	56372474	F.04.02_0_72430	7	1
	F.03.06_0_71462	57	2	56371582	C.01.02_0_68090	14	1	56372952	M.01.01_0_72462	31	1
561A0648	F.03.05_0_71400	46	1		D.11.02_0_68825	14	1	56372953	M.01.01_0_72462	31	1
	F.03.06_0_71462	46	1	56371583	C.01.02_0_68090	14	1	56372954	M.01.01_0_72462	31	1
561A0659	B.05.05_0_63001	6	2		D.11.02_0_68825	14	1	56372955	M.01.01_0_72462	31	1
561A0691	B.09.04_0_68501	41	2	56371584	C.01.02_0_68090	14	1	56373163	F.02.02_0_71225	26	2
561A0792	E.04.01_0_75942	7	1		D.11.02_0_68825	14	1		L.03.02_0_80398	41	1
	E.04.02_0_75965	12	1	56371585	C.01.02_0_68090	14	1	56373349	D.12.01_0_63087	5	1
561A1232	L.03.02_0_80398	55	1		D.11.02_0_68825	14	1	56373350	D.12.01_0_63087	5	1
56271457	D.08.01_0_68685	22	1	56371586	C.01.02_0_68090	14	1	56373440	D.08.01_0_68685	26	1
56276359	C.02.02_0_68138	9.2	1		D.11.02_0_68825	14	1	56373542	C.02.02_0_68138	16	1
56276360	C.02.02_0_68138	9.1	1	56371605	D.04.01_0_68445	4	2	56374460	B.09.03_0_68460	23	1
56349629	D.03.02_0_68417	24	1	56371606	D.04.01_0_68445	3	4		B.09.04_0_68501	23	1
	D.05.04_0_68629	13	2	56371613	D.13.01_0_68848	10	1	56375407	L.02.08_0_74307	37	1
	L.01.01_0_71524	19	2	56371646	D.13.01_0_68848	5	1		L.02.09_0_74355	37	1
	M.01.01_0_72462	19	2	56371652	D.08.01_0_68685	1	1	56375436	A.02.02_0_61737	9	2
	T.01.05_0_71661	27	4	56371661	D.08.01_0_68685	26	1		B.09.03_0_68460	22	3
56370018	D.10.02_0_68775	27	6	56371662	D.08.01_0_68685	26	1		B.09.04_0_68501	22	3
56370081	C.01.02_0_68090	5	1	56371663	D.08.01_0_68685	26	1	56377112	A.02.02_0_61737	5	2
	D.12.01_0_63087	14	2	56371664	D.08.01_0_68685	26	1	56377846	A.01.02_0_62287	42	1
56370172	D.10.02_0_68775	6	3	56371666	D.01.02_0_68281	4	1	56377847	A.01.02_0_62287	46	1
56370178	C.02.02_0_68138	18	2	56371667	D.01.02_0_68281	12	1	56377980	T.03.02_0_69087	1.4	4
56370187	D.13.01_0_68848	4	1	56371668	D.01.02_0_68281	12	1	56379266	D.16.02_0_68980	27/1	1
56370228	C.02.02_0_68138	1.5	2	56371669	D.01.02_0_68281	12	1	56379267	D.14.01_0_68864	15	1

SPARE PARTS INSTANCE INDEX

Code	Parts Table	Pos.	Q.ty	Code	Parts Table	Pos.	Q.ty	Code	Parts Table	Pos.	Q.ty
56379286	D.10.02_0_68775	9	1	563A0956	T.01.06_0_71844	14	2	56479769	D.06.01_0_69050	10	1
56379287	D.10.02_0_68775	7	1	563A0970	T.01.06_0_71844	38	2	56571697	D.10.02_0_68775	21	2
56379288	D.10.02_0_68775	11	1	56470030	F.04.02_0_72430	1.2	1	56571824	T.01.04_0_71638	2	1
56379289	D.10.02_0_68775	10	1	56470365	D.03.02_0_68417	26	1	56572156	C.02.02_0_68138	27	1
56379290	D.10.02_0_68775	8	1		D.05.04_0_68629	27	4	56572623	D.01.02_0_68281	22	1
56379320	D.16.02_0_68980	25	1	56470797	D.05.04_0_68629	18	2	56572624	D.01.02_0_68281	23	1
56379323	D.16.02_0_68980	12	1	56471441	D.07.01_0_68660	4	1	56572959	M.01.01_0_72462	39	2
56379325	D.16.02_0_68980	14	1	56471461	D.08.01_0_68685	24	1	56579588	F.04.02_0_72430	1.1	1
56379523	C.02.02_0_68138	28	1	56471508	D.01.02_0_68281	17	1	56579865	D.02.02_0_68344	28	1
56379528	D.02.01_0_68309	14	1		D.11.02_0_68825	10	1	56579874	L.01.01_0_71524	11	1
	D.02.02_0_68344	14	1	56471645	C.02.02_0_68138	11	1		M.01.01_0_72462	11	1
56379584	C.02.02_0_68138	17	1	56471654	D.07.01_0_68660	10	1	56579895	T.01.05_0_71661	3	1
56379660	D.03.02_0_68417	22	1	56471655	D.08.01_0_68685	4	1	565A0971	T.01.06_0_71844	6	2
56379764	D.06.01_0_69050	18	1	56471665	D.01.02_0_68281	5	1	57174915	A.05.02_0_61870	1.3	1
56379765	D.06.01_0_69050	8	1	56471709	D.04.01_0_68445	7	2	572A0590	B.04.07_0_62642	22	1
56379808	T.01.05_0_71661	25	2	56471728	D.02.01_0_68309	21	2	572A0591	B.04.07_0_62642	21	1
563A0095	D.16.02_0_68980	27/2	1		D.02.02_0_68344	21	2	572A0595	B.04.08_0_62680	21	1
563A0148	B.09.04_0_68501	7	2	56471813	D.03.02_0_68417	5	1	572A0596	B.04.08_0_62680	22	1
563A0224	A.01.04_0_62337	48	1	56472318	M.01.01_0_72462	36	1	57371900	A.05.02_0_61870	2	1
563A0225	A.01.04_0_62337	44	1	56473890	D.15.01_0_68904	2	1	57374501	B.09.03_0_68460	17	1
563A0258	A.01.01_0_62724	31	1	56474713	D.15.01_0_68904	2	1		B.09.04_0_68501	17	1
	A.01.02_0_62287	31	1	56474714	D.15.01_0_68904	2	1	57374545	B.09.03_0_68460	12	1
	A.01.03_0_62768	31	1	56475434	D.14.01_0_68864	26.1	1		B.09.04_0_68501	12	1
	A.01.04_0_62337	31	1	56475517	D.15.01_0_68904	2	1	57377106	A.02.02_0_61737	8	2
563A0264	B.01.01_0_61903	2	1	56475518	D.15.01_0_68904	2	1	57377110	A.02.02_0_61737	7	2
563A0265	A.01.01_0_62724	30	1	56475568	D.14.01_0_68864	20	1	57379771	D.06.01_0_69050	5	1
	A.01.02_0_62287	30	1	56475844	D.15.01_0_68904	33	1	57379927	A.03.01_0_61765	3	1
	A.01.03_0_62768	30	1	56479039	D.15.01_0_68904	30	1	57379953	B.03.03_0_62039	17	1
	A.01.04_0_62337	30	1	56479239	D.15.01_0_68904	5	1	57379954	B.03.03_0_62039	18	1
563A0449	M.02.02_0_76124	36	1	56479240	D.14.01_0_68864	22	1	573A0036	M.02.02_0_76124	12	1
563A0450	M.02.02_0_76124	37	1	56479241	D.15.01_0_68904	27	1	573A0042	L.02.08_0_74307	14	1
563A0461	M.02.02_0_76124	34	1	56479242	D.15.01_0_68904	28	1		L.02.09_0_74355	14	1
563A0649	F.03.05_0_71400	47	1	56479697	D.02.04_0_68388	4	1	573A0043	L.02.08_0_74307	13	1
	F.03.06_0_71462	47	1	56479768	D.06.01_0_69050	21	1	573A0044	L.02.09_0_74355	13	1

SPARE PARTS INSTANCE INDEX

Code	Parts Table	Pos.	Q.ty	Code	Parts Table	Pos.	Q.ty	Code	Parts Table	Pos.	Q.ty
573A0044	M.03.04_0_76502	13	1	58070366	D.04.01_0_68445	12	2	58073227	D.06.01_0_69050	28	1
573A0045	M.03.04_0_76502	14	1	58070373	D.05.04_0_68629	10	1	58073238	F.03.05_0_71400	53	1
573A0291	B.09.03_0_68460	31	1	58070390	B.09.03_0_68460	25	1		F.03.06_0_71462	53	1
	B.09.04_0_68501	31	1		B.09.04_0_68501	25	1		F.04.02_0_72430	29	1
573A0356	B.09.03_0_68460	11	1	58070690	A.05.02_0_61870	16	1	58073788	D.07.01_0_68660	18	1
	B.09.04_0_68501	11	1	58070741	D.10.02_0_68775	24	5	58074092	D.15.01_0_68904	11	1
573A0371	D.06.01_0_69050	29	1		D.16.02_0_68980	9	2	58074109	D.08.01_0_68685	3	1
573A0580V	Y.01.04_0_65747	40b	1	58071313	E.02.01_0_66571	6	1	58074488	B.09.03_0_68460	21	1
573A0581V	Y.01.04_0_65747	40a	1	58071734	D.02.01_0_68309	22	2		B.09.04_0_68501	21	1
573A0625	B.04.07_0_62642	19	1		D.02.02_0_68344	22	2	58074558	F.03.05_0_71400	15	1
	B.04.08_0_62680	19	1	58071755	T.01.04_0_71638	11	2		F.03.06_0_71462	15	1
573A0626	B.04.07_0_62642	20	1		T.01.05_0_71661	11	2	58074841	B.07.02_0_75870	24	1
	B.04.08_0_62680	20	1	58071757	M.01.01_0_72462	43	1	58074880	B.07.02_0_75870	15	1
573A0650	B.09.03_0_68460	30	2	58071790	C.01.02_0_68090	12	1	58075231	B.01.01_0_61903	16	1
	B.09.04_0_68501	30	2	58071793	C.02.02_0_68138	1.1	1	58075515	D.15.01_0_68904	32	6
573A0784	B.08.01_0_67961	12/2	1	58071998	T.01.04_0_71638	16	2	58075603	L.01.01_0_71524	10	1
573A0839	G.01.01_0_76014	11/1	1		T.01.05_0_71661	16	2		M.01.01_0_72462	10	1
573A1050	L.03.02_0_80398	12	1	58072081	E.02.01_0_66571	3	1	58075873	A.03.01_0_61765	25	2
573A1051	L.03.02_0_80398	13	1	58072389	D.15.01_0_68904	17	1	58076077	B.07.02_0_75870	12	1
573A1476V	B.02.01_1_75789	28	1	58072398	D.15.01_0_68904	3	4	58076369	T.01.04_0_71638	21	1
58024193	D.08.01_0_68685	3	1	58072399	D.15.01_0_68904	13	1		T.01.05_0_71661	21	1
58024194	D.08.01_0_68685	3	1	58072465	T.01.04_0_71638	22	1		T.01.06_0_71844	47	1
58024195	D.08.01_0_68685	3	1		T.01.05_0_71661	31	1	58076751	A.04.01_1_61804	9	1
58024196	D.08.01_0_68685	3	1	58072505	D.08.01_0_68685	11	1	58076752	A.05.02_0_61870	9	3
58035255	E.04.01_0_75942	21	1		D.09.01_0_68726	10	1	58077047	B.07.02_0_75870	16	1
	E.04.02_0_75965	26	1	58072510	B.07.02_0_75870	23	1	58077305	E.03.02_0_71747	12	1
58035266	E.05.01_0_75541	5	1	58072511	B.07.02_0_75870	17	1	58077942	F.02.02_0_71225	9	2
58048002	A.02.02_0_61737	27	4	58072573	B.07.02_0_75870	21	1	58077963	E.05.01_0_75541	6	1
	B.01.01_0_61903	12	1	58072575	B.07.02_0_75870	22	1	58079118	C.02.02_0_68138	1.4	1
58070164	D.10.02_0_68775	5	3	58072642	T.01.04_0_71638	12	2	58079130	A.01.02_0_62287	43	1
58070168	D.10.02_0_68775	25	3		T.01.05_0_71661	12	2		A.01.04_0_62337	45	1
58070169	D.10.02_0_68775	2	3	58073183	F.04.02_0_72430	5	1	58079278	E.04.01_0_75942	22	1
58070198	D.13.01_0_68848	7	1	58073192	M.01.01_0_72462	32	1		E.04.02_0_75965	27	1
58070205	D.13.01_0_68848	13	1	58073227	A.02.02_0_61737	13	2	58079582	D.02.01_0_68309	16	8

SPARE PARTS INSTANCE INDEX

Code	Parts Table	Pos.	Q.ty	Code	Parts Table	Pos.	Q.ty	Code	Parts Table	Pos.	Q.ty
58079582	D.02.02_0_68344	16	8	580A0341	B.07.02_0_75870	11	1	580A0535	F.02.02_0_71225	14	1
58079786	T.01.05_0_71661	1	1	580A0360	D.03.02_0_68417	4	2		L.02.08_0_74307	28	1
58079787	T.01.05_0_71661	2	1		D.05.04_0_68629	24	1		L.02.09_0_74355	28	1
58079788	T.01.04_0_71638	1	2	580A0419	A.03.01_0_61765	30	1		L.03.02_0_80398	27	2
58079790	T.01.04_0_71638	10	2	580A0438	B.07.02_0_75870	7	1		M.03.04_0_76502	28	1
	T.01.05_0_71661	10	2	580A0439	B.09.03_0_68460	26	1	580A0536	F.04.02_0_72430	20	1
58079817	T.01.04_0_71638	5	1		B.09.04_0_68501	26	1	580A0540	F.03.05_0_71400	18	1
58079818	T.01.05_0_71661	5	1	580A0477	E.02.01_0_66571	7/1	1		F.03.06_0_71462	18	1
	T.01.06_0_71844	41	1	580A0478	E.01.01_0_66561	1	1	580A0541	F.03.05_0_71400	17	1
58079869	F.03.05_0_71400	36	1	580A0479	E.01.01_0_66561	6	2		F.03.06_0_71462	17	1
	F.03.06_0_71462	36	1	580A0480	E.03.02_0_71747	7	1	580A0572	B.07.02_0_75870	25	1
58079870	F.03.05_0_71400	37	1	580A0481	E.03.02_0_71747	8	1	580A0602	A.02.02_0_61737	24	1
	F.03.06_0_71462	37	1	580A0482	D.16.02_0_68980	32	1	580A0604	A.02.02_0_61737	25	1
58079881	E.03.02_0_71747	1	1	580A0483	E.04.01_0_75942	6	1	580A0605	A.02.02_0_61737	26	1
58079883	E.03.02_0_71747	3	1		E.04.02_0_75965	11	1	580A0606	A.03.01_0_61765	24	1
58079884	F.04.02_0_72430	25	1	580A0495	A.02.02_0_61737	19	1	580A0607	A.05.02_0_61870	18	1
58079885	D.02.01_0_68309	34	1	580A0497	M.03.04_0_76502	58	1	580A0655	F.03.05_0_71400	32	1
	D.02.02_0_68344	34	1	580A0507	M.03.04_0_76502	2	1		F.03.06_0_71462	32	1
58079929	B.02.01_1_75789	9	4	580A0508	M.03.04_0_76502	1	1	580A0656	F.03.05_0_71400	33	1
	B.03.03_0_62039	27	4	580A0526	L.02.09_0_74355	59	1		F.03.06_0_71462	33	1
	B.03.04_0_62070	15	4		M.03.04_0_76502	59	1	580A0788	A.01.01_0_62724	24	1
	B.05.05_0_63001	32	8	580A0527	L.02.09_0_74355	66	1		A.01.02_0_62287	24	1
	B.05.06_0_63045	32	8		M.03.04_0_76502	37	1		A.01.03_0_62768	24	1
58093053	A.03.01_0_61765	27	1	580A0528	L.02.08_0_74307	40	1		A.01.04_0_62337	24	1
580A0024	A.04.01_1_61804	7	1		L.02.09_0_74355	40	2	580A0807	B.07.02_0_75870	27	1
	A.04.02_1_61820	7	1		M.03.04_0_76502	40	2	580A0855	B.07.02_0_75870	20	1
580A0079	E.02.01_0_66571	7/2	1	580A0529	L.02.08_0_74307	41	1	580A0857	B.07.02_0_75870	18	1
580A0127	E.04.01_0_75942	19	1		L.02.09_0_74355	41	2	580A0858	B.07.02_0_75870	19	1
	E.04.02_0_75965	25	1		M.03.04_0_76502	41	2	580A0972	T.01.06_0_71844	8	2
580A0233	B.07.02_0_75870	6	2	580A0530	L.02.09_0_74355	58	1	580A1016	B.07.02_0_75870	13	1
580A0235	B.07.02_0_75870	5/1	2	580A0533	L.02.08_0_74307	35	1	580A1023	B.07.02_0_75870	10	1
580A0236	B.07.02_0_75870	5/2	2		L.02.09_0_74355	35	1	580A1026	T.01.06_0_71844	32	2
580A0237	B.07.02_0_75870	4	2	580A0534	L.02.08_0_74307	36	1	580A1037	B.07.02_0_75870	31	1
580A0285	B.07.02_0_75870	26	1		L.02.09_0_74355	36	1	580A1038	B.07.02_0_75870	28	1

SPARE PARTS INSTANCE INDEX

Code	Parts Table	Pos.	Q.ty	Code	Parts Table	Pos.	Q.ty	Code	Parts Table	Pos.	Q.ty
580A1039	B.07.02_0_75870	14	1	58170436	B.02.01_1_75789	35	1	58171673	D.01.02_0_68281	1	1
580A1084	L.03.02_0_80398	38	1	58170453	B.08.01_0_67961	11	1	58171706	D.04.01_0_68445	1	2
580A1085	L.03.02_0_80398	47	1	58170571	E.03.02_0_71747	3.2	1	58171707	D.04.01_0_68445	2	6
580A1086	L.03.02_0_80398	58	1	58170572	E.03.02_0_71747	3.1	1	58171736	L.01.01_0_71524	16.2	1
580A1087	L.03.02_0_80398	60	2	58170693	F.02.02_0_71225	20	1		M.01.01_0_72462	16.2	1
580A1088	L.03.02_0_80398	61	1		L.03.02_0_80398	36	1	58171737	L.01.01_0_71524	16.1	1
580A1089	L.03.02_0_80398	62	1	58170866	A.01.01_0_62724	27	1		M.01.01_0_72462	16.1	1
580A1090	L.03.02_0_80398	48	1		A.01.02_0_62287	27	1	58171901	A.05.02_0_61870	19	1
580A1091	L.03.02_0_80398	51	1		A.01.03_0_62768	27	1		B.05.05_0_63001	14	2
580A1092	L.03.02_0_80398	63	1		A.01.04_0_62337	27	1		B.05.06_0_63045	14	2
580A1121	B.07.02_0_75870	8	1	58170930	F.03.05_0_71400	59	1	58172011	I.01.01_0_74465	1	1
580A1122	B.07.02_0_75870	1	1		F.03.06_0_71462	59	1	58172012	I.01.01_0_74465	3	1
580A1123	B.07.02_0_75870	2	1	58170968	B.03.03_0_62039	11	1	58172014	I.01.01_0_74465	2	1
580A1159	B.07.02_0_75870	9	1	58171027	A.04.01_1_61804	1.4	1	58172015	L.02.08_0_74307	47	1
580A1181	F.02.02_0_71225	12	1		A.04.02_1_61820	1.4	1		L.02.09_0_74355	62	2
	L.03.02_0_80398	37	1	58171028	A.04.01_1_61804	1.3	1		L.03.02_0_80398	43	1
580A1182	F.02.02_0_71225	13	1		A.04.02_1_61820	1.3	1		M.03.04_0_76502	62	2
580A1183	F.02.02_0_71225	15	1	58171199	A.01.01_0_62724	41	1	58172043	B.08.01_0_67961	24	1
580A1231	L.03.02_0_80398	53	1		A.01.02_0_62287	41	1	58172155	C.02.02_0_68138	30	1
580A1242	F.02.02_0_71225	19	1		A.01.03_0_62768	41	1	58172267	B.08.01_0_67961	11.1	1
580A1243	F.02.02_0_71225	24	1		A.01.04_0_62337	41	1	58172304	I.01.01_0_74465	5	1
	L.03.02_0_80398	34	1	58171200	A.01.01_0_62724	40	1		L.02.09_0_74355	46	1
580A1605	B.07.02_0_75870	30	1		A.01.02_0_62287	40	1		M.03.04_0_76502	46	1
580A1606	B.07.02_0_75870	32	1		A.01.03_0_62768	40	1	58172400	D.15.01_0_68904	9	1
580A1607	B.07.02_0_75870	33	1		A.01.04_0_62337	40	1	58172402	D.15.01_0_68904	10	1
580A1608	B.07.02_0_75870	35	2	58171239	B.12.03_0_62131	15	2	58172447	D.15.01_0_68904	15	4
580A1609	B.07.02_0_75870	34	4	58171558	D.02.01_0_68309	11	7	58172448	D.15.01_0_68904	14	4
58170054	D.10.02_0_68775	4	3		D.02.02_0_68344	11	7	58172463	F.04.02_0_72430	13	2
58170077	C.02.02_0_68138	15	2	58171559	D.02.01_0_68309	12	6	58172489	I.01.01_0_74465	7	1
58170195	D.13.01_0_68848	3	1		D.02.02_0_68344	12	6	58172571	D.09.01_0_68726	11	1
58170238	A.05.02_0_61870	3	1	58171567	D.12.01_0_63087	10	12	58173116	B.08.01_0_67961	26.1	1
58170339	A.03.01_0_61765	33	1	58171596	D.03.02_0_68417	2	4	58173119	B.08.01_0_67961	25.3	1
58170345	B.08.01_0_67961	26	1		D.05.04_0_68629	2	4		B.08.01_0_67961	26.3	1
58170352	F.01.04_0_71182	24	1	58171653	D.12.01_0_63087	11	120	58173120	B.08.01_0_67961	25.2	1

SPARE PARTS INSTANCE INDEX

Code	Parts Table	Pos.	Q.ty	Code	Parts Table	Pos.	Q.ty	Code	Parts Table	Pos.	Q.ty
58173121	B.08.01_0_67961	26.2	1	58175211	L.02.08_0_74307	9	1	58177268	B.08.01_0_67961	25.1	1
58173230	D.06.01_0_69050	32	1		L.02.09_0_74355	9	1	58177330	B.05.05_0_63001	43	2
	D.16.02_0_68980	28	1		M.02.02_0_76124	9	1		B.05.06_0_63045	22	2
58173345	B.08.01_0_67961	14	1	58175318	L.01.01_0_71524	2	2	58177376	B.12.02_0_62110	1	1
58173361	I.01.01_0_74465	8	1		M.01.01_0_72462	2	2	58177378	B.12.05_0_62172	1	1
	L.02.09_0_74355	49	1	58175472	I.01.01_0_74465	10	1	58177380	B.12.01_0_62089	20	1
	M.03.04_0_76502	49	1		M.02.02_0_76124	1	1		B.12.04_0_62151	20	1
58173399	F.03.05_0_71400	27	1	58175700	E.03.02_0_71747	2	1	58177400	A.01.01_0_62724	22	1
	F.03.06_0_71462	27	1	58175773	A.01.01_0_62724	38	1		A.01.02_0_62287	22	1
58173437	B.12.06_0_62193	4	1		A.01.02_0_62287	38	1		A.01.03_0_62768	22	1
	B.12.07_0_62208	4	1		A.01.03_0_62768	38	1		A.01.04_0_62337	22	1
58173505	F.01.04_0_71182	18	1		A.01.04_0_62337	38	1	58177665	L.03.02_0_80398	45	1
58173775	B.07.02_0_75870	29	1	58175783	T.01.05_0_71661	4	2	58177721	B.12.03_0_62131	1	1
58173790	D.08.01_0_68685	5	1		T.01.06_0_71844	17	2	58177724	B.12.01_0_62089	1	1
	D.09.01_0_68726	4	1	58175937	D.08.01_0_68685	10	1	58177727	B.12.04_0_62151	1	1
58173792	D.09.01_0_68726	5	1	58176233	B.05.06_0_63045	7	2	58177736	T.03.03_0_75993	6	1
58173797	D.08.01_0_68685	18	1	58176336	F.01.04_0_71182	19	1	58177737	T.03.03_0_75993	7	2
58174019	F.03.05_0_71400	26	1	58176395	E.01.01_0_66561	3	2	58177738	T.03.03_0_75993	8	2
58174027	F.02.02_0_71225	1	1	58176396	E.03.02_0_71747	9	2	58177739	T.03.03_0_75993	9	6
58174192	D.10.02_0_68775	1	3	58176406	E.01.01_0_66561	8	4	58177740	T.03.03_0_75993	10	2
58174547	F.04.02_0_72430	19	1		E.03.02_0_71747	10	4	58177741	T.03.03_0_75993	12	1
58175014	F.01.04_0_71182	14	1	58176593	B.08.01_0_67961	18	1	58177742	T.03.03_0_75993	13	2
58175121	A.06.01_0_62389	5	1	58176743	E.01.01_0_66561	5	4	58177743	T.03.03_0_75993	15	1
	A.06.02_0_62398	5	1	58176755	A.04.01_1_61804	1	1	58177744	T.03.03_0_75993	16	1
58175122	A.04.01_1_61804	1.5	1		A.04.02_1_61820	1	1	58177745	T.03.03_0_75993	19	1
	A.04.02_1_61820	1.5	1	58176866	L.02.09_0_74355	55	1	58177746	T.03.03_0_75993	20	1
	F.01.04_0_71182	4	1		M.03.04_0_76502	55	1	58177756	Y.01.01_0_65609	56	1
58175187	L.02.08_0_74307	10	2	58176867	L.02.09_0_74355	53	1		Z.01.01_0_66603	1.1	1
	L.02.09_0_74355	10	4		M.03.04_0_76502	53	1	58177759	Z.01.01_0_66603	1.2	1
	M.02.02_0_76124	10	2	58177087	B.08.01_0_67961	3/1	1	58177761	M.02.02_0_76124	17	1
	M.03.04_0_76502	10	2	58177111	A.02.02_0_61737	14	2		M.03.04_0_76502	3	1
58175188	L.02.08_0_74307	7	1		B.01.01_0_61903	17	1	58177763	E.05.01_0_75541	19	1
	L.02.09_0_74355	7	1	58177240	D.16.02_0_68980	13	1	58177764	E.05.01_0_75541	10	1
	M.02.02_0_76124	7	1	58177266	B.08.01_0_67961	25	1	58177765	L.03.02_0_80398	1	1

SPARE PARTS INSTANCE INDEX

Code	Parts Table	Pos.	Q.ty	Code	Parts Table	Pos.	Q.ty	Code	Parts Table	Pos.	Q.ty
58177765	L.04.01_0_80476	1	1	58192377	B.12.01_0_62089	16	1	581A0339	A.01.02_0_62287	5	1
58177811	A.01.02_0_62287	44	1		B.12.02_0_62110	16	1		A.01.04_0_62337	5	1
	A.01.04_0_62337	46	1		B.12.03_0_62131	16	1	581A0367	W.01.01_0_63109	1.1	1
58177939	E.04.01_0_75942	1	1		B.12.04_0_62151	16	1	581A0368	W.01.01_0_63109	1.2	1
	E.04.02_0_75965	1	1		B.12.05_0_62172	16	1	581A0369	W.01.02_0_63140	6/1	1
58178953	F.03.05_0_71400	1	1		B.12.06_0_62193	13	1	581A0370	W.01.02_0_63140	6/2	1
	F.03.06_0_71462	1	1		B.12.07_0_62208	13	1	581A0376	B.02.01_1_75789	23	1
58179013	B.07.02_0_75870	3	2	581A0028	C.01.02_0_68090	15	1	581A0379	B.08.01_0_67961	3/2	1
58179181	E.04.01_0_75942	12	1	581A0029	B.08.01_0_67961	28	1	581A0443	I.01.01_0_74465	6	1
	E.04.02_0_75965	17	1	581A0070	B.09.03_0_68460	34	1	581A0444	I.01.01_0_74465	4	1
58179237	D.14.01_0_68864	4	1		B.09.04_0_68501	34	1	581A0460	D.08.01_0_68685	2	2
58179262	D.08.01_0_68685	8	1	581A0071	E.01.01_0_66561	2	2	581A0584	W.01.02_0_63140	10/1	1
58179276	E.04.01_0_75942	16	1	581A0078	I.01.01_0_74465	9	1	581A0585	W.01.02_0_63140	10/2	1
	E.04.02_0_75965	21	1		L.02.08_0_74307	1	1	581A0598	F.03.06_0_71462	26	1
58179337	E.05.01_0_75541	9	1		L.02.09_0_74355	1	1	581A0611	C.02.02_0_68138	24	1
58179399	T.01.05_0_71661	23	2	581A0108	C.03.03_0_68222	3	1	581A0620	A.03.01_0_61765	1/1	1
58179413	E.01.01_0_66561	7	2	581A0143	W.01.02_0_63140	1.1	1	581A0621	A.03.01_0_61765	1/2	1
58179508	E.05.01_0_75541	8	1	581A0144	W.01.02_0_63140	1.2	1	581A0653	B.09.03_0_68460	5	2
58179546	L.03.02_0_80398	44	1	581A0152	W.01.01_0_63109	10.1	1		B.09.04_0_68501	5	2
58179690	C.02.02_0_68138	4	1	581A0153	W.01.01_0_63109	10.2	1	581A0660	B.05.05_0_63001	5	4
58179707	A.06.01_0_62389	1	1	581A0158	W.01.01_0_63109	7.1	1	581A0689	E.05.01_0_75541	12	1
	A.06.02_0_62398	1	1	581A0159	W.01.01_0_63109	7.2	1	581A0722	A.01.04_0_62337	16	1
58179783	A.03.01_0_61765	9	2	581A0174	G.01.01_0_76014	1	1	581A0813	F.01.04_0_71182	1/2	1
58179811	C.02.02_0_68138	1.3	5	581A0269	A.01.01_0_62724	17	1	581A1066	T.01.05_0_71661	5.1	1
58179859	D.06.01_0_69050	20	1		A.01.03_0_62768	17	1		T.01.06_0_71844	41.1	1
58179860	D.06.01_0_69050	3	1	581A0270	G.01.01_0_76014	4/1	1	581A1079	L.03.02_0_80398	4	1
58179879	W.01.01_0_63109	15.1	1	581A0271	A.01.01_0_62724	16	1		L.04.01_0_80476	2	1
58179880	W.01.01_0_63109	15.2	1		A.01.03_0_62768	16	1	581A1080	E.05.01_0_75541	4	1
58179893	L.01.01_0_71524	16	2	581A0272	A.01.02_0_62287	17	1	581A1081	E.05.01_0_75541	7	1
	M.01.01_0_72462	16	2		A.01.04_0_62337	17	1	581A1510	B.08.01_0_67961	9/1	1
58179926	F.03.05_0_71400	42	1	581A0273	G.01.01_0_76014	4/2	1	581A1511	B.08.01_0_67961	9/2	1
	F.03.06_0_71462	42	1	581A0274	A.01.02_0_62287	16	1	59070591	B.03.03_0_62039	10	1
58179928	D.07.01_0_68660	7	1	581A0331	A.01.01_0_62724	5	1	59070592	B.05.05_0_63001	35	1
58179982	F.01.04_0_71182	1/1	1		A.01.03_0_62768	5	1		B.05.06_0_63045	35	1

SPARE PARTS INSTANCE INDEX

Code	Parts Table	Pos.	Q.ty	Code	Parts Table	Pos.	Q.ty	Code	Parts Table	Pos.	Q.ty
59071241	B.12.01_0_62089	14	1	59079324	D.16.02_0_68980	18/1	1	59079728	M.01.01_0_72462	24	1
	B.12.02_0_62110	14	1	59079538	D.02.02_0_68344	6	1	59079759	D.06.01_0_69050	1	1
	B.12.03_0_62131	14	1	59079556	B.04.07_0_62642	37	1	59079760	D.06.01_0_69050	2	1
	B.12.04_0_62151	14	1		B.04.08_0_62680	27	1	59079772	D.06.01_0_69050	7	1
	B.12.05_0_62172	14	1	59079557	B.04.07_0_62642	35	1	59079792	T.01.05_0_71661	24	2
59071518	D.01.02_0_68281	21	1		B.04.08_0_62680	26	1	59079831	B.05.05_0_63001	1	1
	D.11.02_0_68825	12	1	59079564	B.09.03_0_68460	10	1	59079841	B.05.06_0_63045	1	1
59071640	D.03.02_0_68417	7	1		B.09.04_0_68501	10	1	59079844	B.03.03_0_62039	1	1
59071786	L.01.01_0_71524	17	2	59079592	L.01.01_0_71524	14	1	59079845	B.03.03_0_62039	2	1
	M.01.01_0_72462	17	2		M.01.01_0_72462	14	1	59079846	B.03.03_0_62039	4	1
59072754	D.16.02_0_68980	1	1	59079593	L.01.01_0_71524	15	1	59079892V	B.05.05_0_63001	4	1
59073066	D.05.04_0_68629	25	2		M.01.01_0_72462	15	1	59079916V	B.05.06_0_63045	4	1
59074317	D.05.04_0_68629	21	1	59079597	D.03.02_0_68417	1	1	59079983V	B.02.01_1_75789	1	1
59074662	B.02.01_1_75789	31	2	59079612	D.05.04_0_68629	3	1	590A0013	F.03.05_0_71400	2	1
59075012	T.03.02_0_69087	1.3	1	59079632	D.05.04_0_68629	22	1		F.03.06_0_71462	2	1
59075283	B.01.01_0_61903	33	1	59079638	D.03.02_0_68417	21	1	590A0020	A.05.02_0_61870	20	1
59075602	B.02.01_1_75789	26	1	59079643	D.03.02_0_68417	14	2	590A0021	B.01.01_0_61903	25	1
59075711	C.02.02_0_68138	35	1		D.05.04_0_68629	23	2	590A0030	A.06.01_0_62389	4	1
59075712	C.02.02_0_68138	36	1	59079654	B.04.07_0_62642	6	1	590A0031	A.06.02_0_62398	4	1
59076212	F.01.04_0_71182	17	1		B.04.08_0_62680	6	1	590A0057	B.05.05_0_63001	29	1
59076213	F.01.04_0_71182	16	1	59079658	B.04.07_0_62642	5	1		B.05.06_0_63045	29	1
59076685	A.05.02_0_61870	10	1		B.04.08_0_62680	5	1	590A0058	B.05.05_0_63001	31	1
59076690	B.03.03_0_62039	5	2	59079665	D.03.02_0_68417	25	1		B.05.06_0_63045	31	1
59077101	A.02.02_0_61737	3	2	59079672	D.02.01_0_68309	6	1	590A0059	B.05.05_0_63001	34	1
59077107	A.02.02_0_61737	1	2	59079675	D.03.02_0_68417	20	1		B.05.06_0_63045	34	1
59077242	E.03.02_0_71747	13	1		D.05.04_0_68629	11	1	590A0063	B.03.04_0_62070	1	1
59077943	F.02.02_0_71225	8	2	59079720V	B.03.03_0_62039	13	1	590A0064	B.03.04_0_62070	2	1
59077945	E.04.02_0_75965	5	1	59079721V	B.03.03_0_62039	14	1	590A0080	A.04.01_1_61804	2	1
59078588	L.01.01_0_71524	21	1	59079724V	B.05.05_0_63001	12	1		A.04.02_1_61820	2	1
	T.01.04_0_71638	17	1		B.05.06_0_63045	12	1	590A0082	A.03.01_0_61765	35	1
	T.01.05_0_71661	17	1	59079725V	B.05.05_0_63001	13	1	590A0087V	B.03.04_0_62070	4	1
	T.01.06_0_71844	43	1		B.05.06_0_63045	13	1	590A0088V	B.03.04_0_62070	5	1
59079172	C.03.03_0_68222	9	1	59079728	D.07.01_0_68660	20	1	590A0089	B.05.05_0_63001	39	1
59079319	D.16.02_0_68980	20	1		L.01.01_0_71524	24	1		B.05.06_0_63045	39	1

SPARE PARTS INSTANCE INDEX

Code	Parts Table	Pos.	Q.ty	Code	Parts Table	Pos.	Q.ty	Code	Parts Table	Pos.	Q.ty
590A0089	L.02.09_0_74355	56	1	590A0322V	B.04.08_0_62680	2	1	590A0568	F.01.04_0_71182	21	1
	M.03.04_0_76502	56	1	590A0329	D.16.02_0_68980	18/2	1	590A0569	F.01.04_0_71182	25	1
590A0091	B.05.05_0_63001	40	1	590A0359	A.01.03_0_62768	42	1	590A0570	F.04.02_0_72430	17	1
	B.05.06_0_63045	40	1		A.01.04_0_62337	42	1	590A0571	F.04.02_0_72430	18	1
	L.02.08_0_74307	16	1	590A0378	U.01.01_0_69029	3	1	590A0586	M.01.01_0_72462	21	1
	L.02.09_0_74355	16	1	590A0386	B.01.01_0_61903	21	1	590A0638	M.02.02_0_76124	35	1
	M.03.04_0_76502	16	1	590A0387	A.01.01_0_62724	1	1	590A0728	T.03.01_0_69018	1	1
590A0093	L.02.08_0_74307	19	1		A.01.02_0_62287	1	1	590A0756	D.07.01_0_68660	23	1
	L.02.09_0_74355	19	1		A.01.03_0_62768	1	1		L.01.01_0_71524	23	1
	L.03.02_0_80398	19	1		A.01.04_0_62337	1	1		M.01.01_0_72462	23	1
	M.03.04_0_76502	19	1	590A0388	A.01.01_0_62724	2	1	590A0775	D.02.01_0_68309	31	1
590A0101	D.16.02_0_68980	30	1		A.01.02_0_62287	2	1		D.02.02_0_68344	31	1
590A0145	F.03.05_0_71400	34	1		A.01.03_0_62768	2	1	590A0793	U.01.01_0_69029	2	1
	F.03.06_0_71462	34	1		A.01.04_0_62337	2	1	590A0795	U.01.01_0_69029	5	1
590A0209V	B.09.03_0_68460	19	1	590A0389	A.03.01_0_61765	23	1	590A0796	U.01.01_0_69029	4	1
	B.09.04_0_68501	19	1	590A0413V	B.09.04_0_68501	37	1	590A0838	G.01.01_0_76014	12	1
590A0216V	B.09.03_0_68460	29	1	590A0427	D.16.02_0_68980	11	1	590A0905	G.01.01_0_76014	11/2	1
	B.09.04_0_68501	29	1	590A0436	C.01.02_0_68090	16	1	590A0930	A.05.02_0_61870	11	1
590A0217V	B.09.03_0_68460	37	1	590A0446	M.01.01_0_72462	42	1	590A0937	U.01.01_0_69029	8	1
590A0222	B.09.03_0_68460	35	1	590A0451	M.02.02_0_76124	31	1	590A0950	T.01.06_0_71844	1	1
	B.09.04_0_68501	35	1	590A0454	M.02.02_0_76124	29	1	590A0954	T.01.06_0_71844	2	1
590A0262	A.01.01_0_62724	28	1	590A0457	M.02.02_0_76124	32	1	590A0957	T.01.06_0_71844	15	1
	A.01.02_0_62287	28	1	590A0462	M.02.02_0_76124	25	1	590A0960	T.01.06_0_71844	16	1
	A.01.03_0_62768	28	1	590A0464	M.02.02_0_76124	14	1	590A0963	T.01.06_0_71844	23	1
	A.01.04_0_62337	28	1		M.03.04_0_76502	65	1	590A0964	T.01.06_0_71844	22	1
590A0266	G.01.01_0_76014	5	1		M.03.04_0_76502	68	1	590A0968	T.01.06_0_71844	24	1
590A0267	G.01.01_0_76014	18	1	590A0544	L.02.08_0_74307	33	1	590A0969	T.01.06_0_71844	25	1
590A0280	B.09.03_0_68460	1	1		L.02.09_0_74355	33	1	590A0980	T.01.06_0_71844	10	1
	B.09.04_0_68501	1	1	590A0562	L.02.08_0_74307	32	1	590A0982	T.01.06_0_71844	11	1
590A0292	F.03.05_0_71400	43	1		L.02.09_0_74355	32	1	590A1030	T.01.06_0_71844	35	2
	F.03.06_0_71462	43	1	590A0563	L.02.09_0_74355	47	1	590A1093	L.03.02_0_80398	42	1
590A0321V	B.04.07_0_62642	1	1		M.03.04_0_76502	47	1	590A1094	L.03.02_0_80398	39	1
	B.04.08_0_62680	1	1	590A0564	M.03.04_0_76502	32	1	590A1095	L.03.02_0_80398	30	1
590A0322V	B.04.07_0_62642	2	1	590A0567	F.01.04_0_71182	5	1	590A1162N	F.02.02_0_71225	2	1



SPARE PARTS INSTANCE INDEX

Code	Parts Table	Pos.	Q.ty	Code	Parts Table	Pos.	Q.ty	Code	Parts Table	Pos.	Q.ty
590A1164N	F.02.02_0_71225	3	1	593A0878	T.03.03_0_75993	2	1	59900075	Y.01.06_1_77817	16	2
590A1203	F.02.02_0_71225	27	1	59900006	Y.01.01_0_65609	16	2		Y.01.07_0_65899	13	2
590A1215N	L.03.02_0_80398	15	1	59900013	Y.01.01_0_65609	41	1	59900093	Y.01.03_0_65695	4	1
590A1919N	L.03.02_0_80398	16	1	59900026	Y.01.01_0_65609	12	2	59900094	Y.01.03_0_65695	45	1
59271011	F.04.02_0_72430	14	1	59900027	Y.01.01_0_65609	13	2	59900102	Y.01.02_0_65668	6	4
	L.01.01_0_71524	27	1	59900028	Y.01.01_0_65609	14	2		Y.01.02_0_65668	9	4
	M.01.01_0_72462	27	1	59900031	Y.01.01_0_65609	55	2		Y.01.03_0_65695	21	4
59271501	D.02.01_0_68309	10	1	59900034	Y.01.01_0_65609	11	2	59900103	Y.01.02_0_65668	4	4
	D.02.02_0_68344	10	1	59900035	Y.01.01_0_65609	20	4		Y.01.03_0_65695	32	5
59273944	D.12.01_0_63087	9	2	59900037	Y.01.01_0_65609	21	4		Y.01.04_0_65747	35	1
59279525	D.02.04_0_68388	5	1		Y.01.02_0_65668	18	1	59900106	Y.01.01_0_65609	36	4
59279544	C.02.02_0_68138	1	1		Y.01.03_0_65695	25	1		Y.01.03_0_65695	42	2
59279819	C.02.02_0_68138	9	1	59900046	Y.01.01_0_65609	29	1		Y.01.04_0_65747	16	1
59279876	W.01.01_0_63109	15/1	1	59900047	Y.01.01_0_65609	28	1	59900107	Y.01.02_0_65668	23	1
59279877	W.01.01_0_63109	15/2	1	59900051	Y.01.05_1_77860	22	2		Y.01.03_0_65695	11	1
592A0140	W.01.02_0_63140	1/1	1		Y.01.07_0_65899	23	2	59900108	Y.01.01_0_65609	34	2
592A0141	W.01.02_0_63140	1/2	1	59900052	Y.01.05_1_77860	23	2		Y.01.03_0_65695	49	1
592A0149	W.01.01_0_63109	10/1	1		Y.01.07_0_65899	24	2	59900109	Y.01.01_0_65609	45	1
592A0150	W.01.01_0_63109	10/2	1	59900053	Y.01.05_1_77860	25	3		Y.01.02_0_65668	12	4
592A0155	W.01.01_0_63109	7/1	1		Y.01.07_0_65899	26	3		Y.01.03_0_65695	35	6
592A0156	W.01.01_0_63109	7/2	1	59900054	Y.01.05_1_77860	24	1		Y.01.04_0_65747	12	5
592A0364	W.01.01_0_63109	1/1	1		Y.01.07_0_65899	25	1	59900117	Y.01.03_0_65695	41	2
592A0365	W.01.01_0_63109	1/2	1	59900057	Y.01.05_1_77860	17	1		Y.01.04_0_65747	10	4
592A1082	E.05.01_0_75541	1	1		Y.01.07_0_65899	33	1	59900138	Y.01.03_0_65695	19	1
592A1250	D.15.01_0_68904	1	1	59900058	Y.01.05_1_77860	16	1	59900152	B.12.01_0_62089	13	1
592A3357	D.15.01_0_68904	6	1		Y.01.07_0_65899	32	1		B.12.02_0_62110	13	1
59375017	T.03.02_0_69087	1	1	59900068	Y.01.05_1_77860	33	1		B.12.03_0_62131	13	1
59377734	T.03.03_0_75993	1	1	59900070	Y.01.05_1_77860	36	1		B.12.04_0_62151	13	1
59379018	D.01.02_0_68281	13	1	59900074	Y.01.02_0_65668	8	4		B.12.05_0_62172	13	1
59379041	D.14.01_0_68864	26	1		Y.01.03_0_65695	20	9	59900153	B.12.01_0_62089	8	1
59379580	D.11.02_0_68825	4	1		Y.01.04_0_65747	34	1		B.12.02_0_62110	8	1
59379589	F.04.02_0_72430	1	1		Y.01.06_1_77817	17	4		B.12.03_0_62131	8	1
593A0489	B.09.03_0_68460	13	1		Y.01.07_0_65899	14	4		B.12.04_0_62151	8	1
	B.09.04_0_68501	13	1	59900075	Y.01.01_0_65609	35	1		B.12.05_0_62172	8	1

SPARE PARTS INSTANCE INDEX

Code	Parts Table	Pos.	Q.ty	Code	Parts Table	Pos.	Q.ty	Code	Parts Table	Pos.	Q.ty
59900154	B.12.01_0_62089	7	4	59900160	B.12.05_0_62172	11	1	59900383	Y.01.01_0_65609	18	4
	B.12.02_0_62110	7	4	59900161	B.12.01_0_62089	12	1	59900388	Y.01.01_0_65609	48	1
	B.12.03_0_62131	7	4		B.12.02_0_62110	12	1	59900389	Y.01.01_0_65609	46	1
	B.12.04_0_62151	7	4		B.12.03_0_62131	12	1	59900393	Y.01.01_0_65609	43	1
	B.12.05_0_62172	7	4		B.12.04_0_62151	12	1	59900395	Y.01.05_1_77860	21	14
59900155	B.12.01_0_62089	6/1	1		B.12.05_0_62172	12	1		Y.01.07_0_65899	20	14
	B.12.02_0_62110	6/1	1	59900178	F.03.05_0_71400	26.1	1	59900396	Y.01.01_0_65609	52	1
	B.12.03_0_62131	6/1	1		F.03.06_0_71462	26.1	1	59900397	Y.01.01_0_65609	7	14
	B.12.04_0_62151	6	1	59900183	B.12.06_0_62193	5	1	59900398	Y.01.01_0_65609	19	4
	B.12.05_0_62172	6/1	1		B.12.07_0_62208	5	1		Y.01.04_0_65747	26	1
59900156	B.12.01_0_62089	5	1	59900184	B.12.06_0_62193	6	1		Y.01.06_1_77817	7	14
	B.12.02_0_62110	5	1		B.12.07_0_62208	6	1		Y.01.07_0_65899	4	8
	B.12.03_0_62131	5	1	59900185	B.12.06_0_62193	7	1	59900402	Y.01.03_0_65695	40	2
	B.12.04_0_62151	5	1		B.12.07_0_62208	7	1	59900403	Y.01.03_0_65695	8	1
	B.12.05_0_62172	5	1	59900186	B.12.06_0_62193	8	1	59900404	Y.01.03_0_65695	46	1
59900157	B.12.01_0_62089	10	1		B.12.07_0_62208	8	1		Y.01.06_1_77817	18	4
	B.12.02_0_62110	10	1	59900187	B.12.06_0_62193	9	1		Y.01.07_0_65899	15	4
	B.12.03_0_62131	10	1		B.12.07_0_62208	9	1	59900405	Y.01.03_0_65695	17	2
	B.12.04_0_62151	10	1	59900199	B.12.07_0_62208	1	1	59900406	Y.01.03_0_65695	16	2
	B.12.05_0_62172	10	1	59900200	B.12.06_0_62193	1	1	59900407	Y.01.02_0_65668	19	1
59900158	B.12.01_0_62089	9	18	59900247	F.03.05_0_71400	26.2	1		Y.01.03_0_65695	6	1
	B.12.02_0_62110	9	18	59900344	A.01.01_0_62724	39	1	59900408	Y.01.02_0_65668	20	2
	B.12.03_0_62131	9	18		A.01.02_0_62287	39	1		Y.01.03_0_65695	7	2
	B.12.04_0_62151	9	18		A.01.03_0_62768	39	1	59900409	Y.01.02_0_65668	21	1
	B.12.05_0_62172	9	18		A.01.04_0_62337	39	1		Y.01.03_0_65695	9	1
59900159	B.12.01_0_62089	4	1	59900345	A.01.01_0_62724	36	1	59900411	Y.01.03_0_65695	22	1
	B.12.02_0_62110	4	1		A.01.02_0_62287	36	1	59900414	Y.01.03_0_65695	15	1
	B.12.03_0_62131	4	1		A.01.03_0_62768	36	1	59900415	Y.01.03_0_65695	18	1
	B.12.04_0_62151	4	1		A.01.04_0_62337	36	1	59900432	Y.01.04_0_65747	23	3
	B.12.05_0_62172	4	1	59900347	A.04.01_1_61804	1.2	1	59900447	Y.01.05_1_77860	14	2
59900160	B.12.01_0_62089	11	1		A.04.02_1_61820	1.2	1	59900449	Y.01.05_1_77860	10	1
	B.12.02_0_62110	11	1	59900353	A.04.01_1_61804	1.1	1	59900455	Y.01.05_1_77860	47	8
	B.12.03_0_62131	11	1		A.04.02_1_61820	1.1	1	59900459	Y.01.05_1_77860	30	1
	B.12.04_0_62151	11	1	59900381	Y.01.01_0_65609	17	2	59900463	Y.01.05_1_77860	8	2

SPARE PARTS INSTANCE INDEX

Code	Parts Table	Pos.	Q.ty	Code	Parts Table	Pos.	Q.ty	Code	Parts Table	Pos.	Q.ty
59900466	Y.01.01_0_65609	49	2	59900645	Y.01.04_0_65747	21b	1	59900730	Y.01.07_0_65899	8	4
59900468	Y.01.04_0_65747	29	1	59900646	Y.01.04_0_65747	21a	1	59900731	Y.01.06_1_77817	38	1
59900469	Y.01.05_1_77860	60	2	59900647	Y.01.04_0_65747	27	1		Y.01.07_0_65899	17	1
	Y.01.06_1_77817	20	2	59900649	Y.01.04_0_65747	30	1	59900750	Y.01.06_1_77817	6	10
59900477	Y.01.01_0_65609	50	2	59900650	Y.01.04_0_65747	31	1		Y.01.07_0_65899	3	4
59900561	Y.01.04_0_65747	28	1	59900651	Y.01.04_0_65747	32	1	59900751	Y.01.06_1_77817	12	2
	Y.01.05_1_77860	7	4	59900652	Y.01.04_0_65747	33	1		Y.01.07_0_65899	9	2
	Y.01.07_0_65899	22	2	59900665	Y.01.05_1_77860	18	2	59900752	Y.01.06_1_77817	13	1
59900564	Y.01.01_0_65609	10	2	59900666	Y.01.05_1_77860	19	3		Y.01.07_0_65899	10	1
59900565	Y.01.01_0_65609	37	1		Y.01.07_0_65899	34	3	59900773	Y.01.01_0_65609	15	2
59900566	Y.01.01_0_65609	38	2	59900667	Y.01.05_1_77860	20	2	59900782	Y.01.01_0_65609	30	1
59900567	Y.01.01_0_65609	23	1		Y.01.07_0_65899	35	2	59900787	Y.01.01_0_65609	47	1
59900576	Y.01.06_1_77817	21	1	59900668	Y.01.05_1_77860	31	1	59900799	Y.01.03_0_65695	38	2
59900577	Y.01.05_1_77860	9	1	59900669	Y.01.05_1_77860	26	1		Y.01.04_0_65747	37	1
59900590	Y.01.01_0_65609	51	1		Y.01.07_0_65899	27	1	59900802	Y.01.02_0_65668	15	1
59900600	Y.01.03_0_65695	30	4	59900670	Y.01.05_1_77860	27	1	59900810	Y.01.03_0_65695	29	2
59900601	Y.01.03_0_65695	31	2		Y.01.07_0_65899	28	1	59900814	Y.01.02_0_65668	25	1
59900604	Y.01.02_0_65668	13	1	59900671	Y.01.05_1_77860	28	1		Y.01.03_0_65695	13	1
	Y.01.03_0_65695	36	2		Y.01.07_0_65899	29	1	59900861	L.04.01_0_80476	3	1
	Y.01.04_0_65747	13	5	59900672	Y.01.05_1_77860	29	1	59900862	L.04.01_0_80476	4	1
59900606	Y.01.02_0_65668	14	1		Y.01.07_0_65899	30	1	59900863	L.04.01_0_80476	5	1
59900608	Y.01.02_0_65668	22	1	59900676	Y.01.01_0_65609	24a	1	59900864	L.04.01_0_80476	6	1
	Y.01.03_0_65695	10	1	59900677	Y.01.01_0_65609	24b	1	59900866	L.04.01_0_80476	7	1
59900616	Y.01.03_0_65695	28	4	59900686	Y.01.05_1_77860	45	4	59900867	L.04.01_0_80476	8	1
59900624	Y.01.03_0_65695	37	2	59900688	Y.01.05_1_77860	43	6	59900868	L.04.01_0_80476	9	1
	Y.01.04_0_65747	8	4	59900697	Y.01.05_1_77860	5	2	59900869	L.04.01_0_80476	10	1
59900625	Y.01.02_0_65668	7	4	59900699	Y.01.05_1_77860	35	2	59900870	L.04.01_0_80476	11	1
59900632	Y.01.04_0_65747	14b	1	59900725	Y.01.01_0_65609	26	1	59900871	L.04.01_0_80476	12	1
59900633	Y.01.04_0_65747	14a	1		Y.01.06_1_77817	5	4	59900872	L.04.01_0_80476	13	1
59900636	Y.01.04_0_65747	4b	1	59900727	Y.01.06_1_77817	8	2	59900873	L.04.01_0_80476	14	1
59900637	Y.01.04_0_65747	4a	1		Y.01.07_0_65899	5	2	59900875	L.04.01_0_80476	15	1
59900640	Y.01.04_0_65747	18	1	59900728	Y.01.06_1_77817	9	2	59900876	L.04.01_0_80476	16	1
59900641	Y.01.04_0_65747	19	1		Y.01.07_0_65899	6	2	59900877	L.04.01_0_80476	17	1
59900644	Y.01.04_0_65747	25	2	59900730	Y.01.06_1_77817	11	4	59900878	L.04.01_0_80476	18	1

SPARE PARTS INSTANCE INDEX

Code	Parts Table	Pos.	Q.ty	Code	Parts Table	Pos.	Q.ty	Code	Parts Table	Pos.	Q.ty
59901049	B.12.01_0_62089	3	1	59901295	W.01.01_0_63109	7.3	1	59905128	Y.01.01_0_65609	1	1
	B.12.02_0_62110	3	1		W.01.01_0_63109	10.3	1	59905129	Y.01.01_0_65609	2	1
	B.12.03_0_62131	3	1		W.01.01_0_63109	15.3	1	59905130	Y.01.01_0_65609	4	1
	B.12.04_0_62151	3	1	59901300	A.01.01_0_62724	43	1	59905131	Y.01.01_0_65609	5	1
	B.12.05_0_62172	3	1		A.01.03_0_62768	45	1	59905132	Y.01.01_0_65609	6	6
59901050	B.12.03_0_62131	2	1	59901324	F.03.06_0_71462	26.2	1	59905133	Y.01.01_0_65609	8a	1
59901052	B.12.02_0_62110	2	1	59901338	G.01.01_0_76014	2	1	59905134	Y.01.01_0_65609	8b	1
59901053	B.12.02_0_62110	19	1	59901339	G.01.01_0_76014	3	1	59905135	Y.01.01_0_65609	22	1
59901054	B.12.05_0_62172	2	1	59901371	B.02.01_1_75789	2/1	1	59905136	Y.01.01_0_65609	25	1
59901055	B.12.05_0_62172	19	1	59901372	B.02.01_1_75789	2/3	1	59905137	Y.01.01_0_65609	27	1
59901057	B.12.01_0_62089	19	1	59901373	B.02.01_1_75789	2/2	1	59905138	Y.01.01_0_65609	32	1
59901058	B.12.01_0_62089	2	1	59901374	B.02.01_1_75789	2/4	1	59905139	Y.01.01_0_65609	39	1
59901059	B.12.04_0_62151	19	1	59901429	E.04.01_0_75942	20	1	59905140	Y.01.01_0_65609	40	1
59901060	B.12.04_0_62151	2	1		E.04.02_0_75965	24	1	59905141	Y.01.01_0_65609	42	1
59901086	E.01.01_0_66561	7.1	2	59905006	Y.01.01_0_65609	9	4	59905142	Y.01.01_0_65609	53	2
59901087	E.03.02_0_71747	9.1	2		Y.01.05_1_77860	6	10		Y.01.06_1_77817	36	10
59901099	B.12.01_0_62089	15	1		Y.01.06_1_77817	33	8	59905143	Y.01.02_0_65668	1	1
	B.12.04_0_62151	15	1		Y.01.07_0_65899	21	2	59905144	Y.01.02_0_65668	2	1
59901100	B.12.01_0_62089	17	1	59905042	Y.01.04_0_65747	7	2	59905145	Y.01.02_0_65668	3	1
	B.12.02_0_62110	17	1	59905043	Y.01.02_0_65668	5	4	59905146	Y.01.02_0_65668	26	1
	B.12.03_0_62131	17	2		Y.01.03_0_65695	39	2		Y.01.03_0_65695	14	1
	B.12.04_0_62151	17	1		Y.01.04_0_65747	36	1	59905147	Y.01.07_0_65899	36	1
	B.12.05_0_62172	17	4	59905047	Y.01.04_0_65747	20a	1	59905148	Y.01.03_0_65695	2	1
59901101	B.12.01_0_62089	18	2	59905048	Y.01.04_0_65747	20b	1	59905149	Y.01.03_0_65695	5	1
	B.12.02_0_62110	18	1	59905075	Y.01.05_1_77860	32	6	59905150	Y.01.07_0_65899	18	1
	B.12.03_0_62131	18	2	59905080	Y.01.05_1_77860	46	4	59905151	Y.01.03_0_65695	24	1
	B.12.04_0_62151	18	2	59905088	Y.01.05_1_77860	58	4	59905152	Y.01.03_0_65695	26a	1
	B.12.05_0_62172	18	2		Y.01.07_0_65899	37	2	59905153	Y.01.03_0_65695	26b	1
59901264	A.01.02_0_62287	47	1	59905094	Y.01.06_1_77817	19	4	59905154	Y.01.03_0_65695	27a	1
	A.01.04_0_62337	49	1		Y.01.07_0_65899	16	4	59905155	Y.01.03_0_65695	27b	1
59901265	A.01.02_0_62287	43.1	1	59905123	Y.01.03_0_65695	1	1	59905156	Y.01.03_0_65695	44	2
	A.01.04_0_62337	45.1	1	59905124	Y.01.03_0_65695	3	1	59905158	Y.01.04_0_65747	1a	1
59901293	W.01.02_0_63140	1.3	1	59905126	Y.01.04_0_65747	2	1	59905159	Y.01.04_0_65747	1b	1
59901294	W.01.01_0_63109	1.3	1	59905127	Y.01.01_0_65609	3	1	59905160	Y.01.04_0_65747	3a	1

SPARE PARTS INSTANCE INDEX

Code	Parts Table	Pos.	Q.ty	Code	Parts Table	Pos.	Q.ty	Code	Parts Table	Pos.	Q.ty
59905161	Y.01.04_0_65747	3b	1	59905203	Y.01.06_1_77817	30	1	59905259	Y.01.05_1_77860	63	1
59905162	Y.01.04_0_65747	5	2	59905204	Y.01.06_1_77817	31	1	59906009	E.05.01_0_75541	17	1
59905163	Y.01.04_0_65747	6	2	59905205	Y.01.06_1_77817	32	2	59906010	E.05.01_0_75541	18	1
59905164	Y.01.04_0_65747	15a	1	59905206	Y.01.06_1_77817	34a	1	59906012	E.05.01_0_75541	15	1
59905165	Y.01.04_0_65747	15b	1	59905207	Y.01.06_1_77817	34b	1	59906014	E.05.01_0_75541	16	1
59905166	Y.01.04_0_65747	38	1	59905208	Y.01.06_1_77817	35	2	59906021	L.04.01_0_80476	19	1
59905167	Y.01.04_0_65747	39a	1	59905209	Y.01.07_0_65899	19	1	59906024	L.04.01_0_80476	20	1
59905168	Y.01.04_0_65747	39b	1	59905210	Y.01.06_1_77817	37	6	59906029	L.04.01_0_80476	21	1
59905172	Y.01.05_1_77860	4	1	59905211	Y.01.07_0_65899	1	1	59906030	L.04.01_0_80476	22	1
59905173	Y.01.05_1_77860	11	1	59905234	Y.01.05_1_77860	1	1	59906031	L.04.01_0_80476	23	1
59905174	Y.01.05_1_77860	12	1	59905235	Y.01.05_1_77860	2	1	59906036	E.05.01_0_75541	13	1
59905175	Y.01.05_1_77860	13	1	59905236	Y.01.05_1_77860	34	1	59906037	E.05.01_0_75541	14	1
59905176	Y.01.05_1_77860	15	1	59905237	Y.01.05_1_77860	37	2	59906039	E.05.01_0_75541	3	1
	Y.01.07_0_65899	31	1	59905238	Y.01.05_1_77860	38	1	59906040	E.05.01_0_75541	11	1
59905178	Y.01.05_1_77860	40	1	59905239	Y.01.05_1_77860	39	1	59906041	E.05.01_0_75541	2	1
59905179	Y.01.05_1_77860	41	1	59905240	Y.01.05_1_77860	48	1	59978096	D.02.01_0_68309	1	1
59905180	Y.01.05_1_77860	42	1	59905241	Y.01.05_1_77860	49	1		D.02.02_0_68344	1	1
59905181	Y.01.05_1_77860	44	1	59905242	Y.01.05_1_77860	50	1	92481555	Z.01.01_0_66603	1	1
59905190	Y.01.05_1_77860	57	1	59905243	Y.01.05_1_77860	51	1	F0150010905	W.01.01_0_63109	11	1
59905191	Y.01.06_1_77817	1a	1	59905244	Y.01.05_1_77860	52	1		W.01.02_0_63140	7	1
59905192	Y.01.06_1_77817	1b	1	59905245	Y.01.05_1_77860	53	1	F0150036215	B.12.06_0_62193	2	1
59905193	Y.01.06_1_77817	2	1	59905246	Y.01.05_1_77860	54	1	F0150036216	B.12.07_0_62208	2	1
59905194	Y.01.06_1_77817	3a	1	59905247	Y.01.05_1_77860	55	1	F0150036219	B.12.06_0_62193	3	1
59905195	Y.01.06_1_77817	3b	1	59905248	Y.01.05_1_77860	56	1		B.12.07_0_62208	3	1
59905196	Y.01.06_1_77817	4a	1	59905249	Y.01.05_1_77860	59	1	F0190018909	E.02.01_0_66571	2	1
59905197	Y.01.06_1_77817	4b	1	59905250	Y.01.05_1_77860	64	1	F0256112009	A.03.01_0_61765	26	1
	Y.01.07_0_65899	2	1	59905251	Y.01.05_1_77860	65	1	F0256808000	A.05.02_0_61870	26	1
59905198	Y.01.06_1_77817	10	2	59905252	Y.01.05_1_77860	3	1	F0256809050	A.03.01_0_61765	8	1
	Y.01.07_0_65899	7	2	59905253	Y.01.06_1_77817	22	1	F0256910009	A.03.01_0_61765	2	1
59905199	Y.01.06_1_77817	14	2	59905254	Y.01.06_1_77817	23	1	F0801009000	A.02.02_0_61737	21	1
	Y.01.07_0_65899	11	2	59905255	Y.01.06_1_77817	24	1	F0801022000	T.03.03_0_75993	17	1
59905200	Y.01.06_1_77817	27	1	59905256	Y.01.06_1_77817	25	1	F0801028000	D.02.01_0_68309	23	2
59905201	Y.01.06_1_77817	28	1	59905257	Y.01.06_1_77817	26	1		D.02.02_0_68344	23	2
59905202	Y.01.06_1_77817	29	1	59905258	Y.01.05_1_77860	62	1		T.03.03_0_75993	11	6

SPARE PARTS INSTANCE INDEX

Code	Parts Table	Pos.	Q.ty	Code	Parts Table	Pos.	Q.ty	Code	Parts Table	Pos.	Q.ty
F0801050000	M.02.02_0_76124	27	4	F0802700150	D.12.01_0_63087	1	2	F0812918050	D.08.01_0_68685	13	1
	T.01.06_0_71844	31	2	F0803072050	F.04.02_0_72430	4	1		D.09.01_0_68726	8	1
F0801095000	D.06.01_0_69050	17	1	F0803186000	D.04.01_0_68445	5	4	F0812951200	D.14.01_0_68864	19	1
F0801116050	D.16.02_0_68980	17	1	F0803199010	D.14.01_0_68864	28	1	F0812973000	D.12.01_0_63087	2	4
F0801156050	D.02.04_0_68388	3	2		F.04.02_0_72430	3	1	F0814545000	A.03.01_0_61765	17	2
F0801175050	D.01.02_0_68281	25	4	F0803209000	D.13.01_0_68848	2	1	F0814547000	B.02.01_1_75789	11	6
	D.11.02_0_68825	18	4	F0806533000	D.03.02_0_68417	17	1		B.03.03_0_62039	20	12
F0801175500	D.14.01_0_68864	9	1		D.05.04_0_68629	12	2		B.03.04_0_62070	9	6
F0801241010	D.02.01_0_68309	9	2	F0808060100	T.03.01_0_69018	9	1		B.05.05_0_63001	33	8
	D.02.02_0_68344	9	2	F0810510000	A.03.01_0_61765	29	3		B.05.06_0_63045	33	8
	D.07.01_0_68660	1	1		D.03.02_0_68417	6	2		F.02.02_0_71225	10	2
F0801244080	D.14.01_0_68864	12	1		D.04.01_0_68445	8	2	F0814569000	M.02.02_0_76124	28	4
F0801264050	D.15.01_0_68904	21	2		D.05.04_0_68629	19	2	F0814627000	D.03.02_0_68417	10	2
F0801266000	D.07.01_0_68660	14	4		D.05.04_0_68629	28	4		D.06.01_0_69050	9	1
F0801266050	D.07.01_0_68660	8	2		D.06.01_0_69050	12	1	F0814632000	D.05.04_0_68629	30	2
F0801280100	D.08.01_0_68685	9	1		F.03.05_0_71400	48	1	F0814647000	C.02.02_0_68138	8	6
F0801282000	L.02.08_0_74307	22	4		F.03.06_0_71462	48	1	F0814689050	D.02.01_0_68309	7	1
	L.02.09_0_74355	22	10	F0812525100	D.14.01_0_68864	7	1		D.02.02_0_68344	7	1
	L.03.02_0_80398	68	16	F0812578050	D.02.04_0_68388	2	2	F0814695000	C.03.03_0_68222	4	14
	M.03.04_0_76502	22	8	F0812599090	D.14.01_0_68864	8	1		T.03.01_0_69018	5	10
F0801297050	L.01.01_0_71524	13	2	F0812631000	D.11.02_0_68825	3	1		T.03.02_0_69087	5	10
	M.01.01_0_72462	13	2	F0812686100	D.08.01_0_68685	14	1		T.03.03_0_75993	4	10
F0801331000	D.15.01_0_68904	23	1	F0812689000	D.09.01_0_68726	6	2	F0814744050	D.06.01_0_69050	33	1
F0801331050	D.07.01_0_68660	19	1	F0812689050	D.15.01_0_68904	25	1		D.16.02_0_68980	29	1
F0801346000	D.12.01_0_63087	6	2	F0812732080	D.08.01_0_68685	16	1	F0814794000	B.03.03_0_62039	9	2
F0801346200	D.07.01_0_68660	12	4	F0812736010	D.07.01_0_68660	15	1	F0817500200	A.03.01_0_61765	34	6
F0801408000	D.02.01_0_68309	4	4		D.15.01_0_68904	7	1		A.05.02_0_61870	17	4
	D.02.02_0_68344	4	4	F0812737000	D.07.01_0_68660	5	3	F0817500400	A.01.01_0_62724	23	1
F0802088050	D.02.01_0_68309	27	1	F0812747000	C.02.02_0_68138	14	2		A.01.02_0_62287	23	1
	D.02.02_0_68344	27	1	F0812750000	D.07.01_0_68660	2	1		A.01.03_0_62768	23	1
F0802187050	D.02.01_0_68309	2	1	F0812871030	D.08.01_0_68685	21	2		A.01.04_0_62337	23	1
	D.02.02_0_68344	2	1	F0812895000	C.01.02_0_68090	13	2		A.03.01_0_61765	32	1
F0802190010	D.01.02_0_68281	8	1		D.11.02_0_68825	13	2	F0817500410	A.01.01_0_62724	26	2
F0802228005	D.14.01_0_68864	25	1	F0812899000	D.14.01_0_68864	5	1		A.01.02_0_62287	26	2

SPARE PARTS INSTANCE INDEX

Code	Parts Table	Pos.	Q.ty	Code	Parts Table	Pos.	Q.ty	Code	Parts Table	Pos.	Q.ty
F0817500410	A.01.03_0_62768	26	2	F0824113000	E.04.02_0_75965	18	1	F0826016000	T.01.05_0_71661	22	2
	A.01.04_0_62337	26	2		F.03.05_0_71400	10	3		T.01.06_0_71844	26	4
	A.03.01_0_61765	31	1		F.03.06_0_71462	10	3	F0826056000	C.02.02_0_68138	13	2
F0817500430	A.01.01_0_62724	25	1		L.02.08_0_74307	27	2		L.01.01_0_71524	9	1
	A.01.02_0_62287	25	1		L.02.09_0_74355	27	2		M.01.01_0_72462	9	2
	A.01.03_0_62768	25	1		L.03.02_0_80398	26	2		T.01.06_0_71844	3	2
	A.01.04_0_62337	25	1		M.03.04_0_76502	27	2		T.03.02_0_69087	1.6	1
F0817500470	A.03.01_0_61765	22	2	F0824141000	F.03.05_0_71400	25	8	F0828468050	D.16.02_0_68980	19	1
F0817500500	A.03.01_0_61765	19	1		F.03.06_0_71462	25	8	F0831065000	B.01.01_0_61903	13	1
F0817500700	A.03.01_0_61765	21	1		L.02.08_0_74307	44	2	F0835023000	L.02.08_0_74307	42	1
F0817500800	A.04.02_1_61820	10	1		L.02.09_0_74355	44	5		L.02.09_0_74355	42	2
F0817500900	A.04.02_1_61820	11	1		L.03.02_0_80398	54	4		M.03.04_0_76502	42	2
F0817501000	A.04.01_1_61804	10	2		L.03.02_0_80398	66	9	F0835031010	F.03.05_0_71400	38	2
F0817501200	A.04.01_1_61804	8	1		M.03.04_0_76502	34	3		F.03.06_0_71462	38	2
	A.04.02_1_61820	8	1		M.03.04_0_76502	44	2	F0835037000	L.03.02_0_80398	28	1
F0817503000	F.01.04_0_71182	20	6	F0825115010	B.08.01_0_67961	23	1		M.03.04_0_76502	33	1
F0817505100	F.03.05_0_71400	54	2	F0825400060	B.08.01_0_67961	22	1	F0835040000	L.02.08_0_74307	43	2
	F.03.06_0_71462	54	2	F0825403050	B.08.01_0_67961	27	1		L.02.09_0_74355	43	5
	F.04.02_0_72430	28	2	F0825414000	A.05.02_0_61870	22	2		L.03.02_0_80398	65	3
F0817640003	D.10.02_0_68775	18	3		B.05.05_0_63001	30	1		M.03.04_0_76502	43	2
F0819180080	D.02.01_0_68309	25	2		B.05.06_0_63045	30	1	F0835040030	F.03.05_0_71400	22	2
	D.02.02_0_68344	25	2	F0825416000	E.03.02_0_71747	15	2		F.03.06_0_71462	22	2
F0822537050	B.09.03_0_68460	38	2	F0825417000	E.02.01_0_66571	8	1		L.02.09_0_74355	64	1
	B.09.04_0_68501	38	2	F0825438000	E.03.02_0_71747	4	1		L.03.02_0_80398	64	3
	D.03.02_0_68417	3	2	F0825480100	E.02.01_0_66571	1	1		M.03.04_0_76502	64	1
	D.05.04_0_68629	4	2	F0825493000	E.03.02_0_71747	14	1	F0838475000	C.01.02_0_68090	11	2
F0824022000	A.03.01_0_61765	28	3	F0825500200	B.08.01_0_67961	19	1		C.02.02_0_68138	7	2
F0824110000	C.02.02_0_68138	3	1	F0825500210	B.08.01_0_67961	20	1	F0838535050	C.02.02_0_68138	6	4
	F.02.02_0_71225	21	7	F0825500220	B.08.01_0_67961	21	1	F0838610000	T.03.01_0_69018	4	10
	L.02.08_0_74307	31	15	F0825718020	F.01.04_0_71182	14.1	1		T.03.02_0_69087	4	10
	L.02.09_0_74355	31	25	F0825980030	L.02.08_0_74307	45	2		T.03.03_0_75993	3	10
	M.03.04_0_76502	7	4		L.02.09_0_74355	45	5	F0838660000	C.03.03_0_68222	11	12
	M.03.04_0_76502	31	9		L.03.02_0_80398	67	8	F0838660100	C.03.03_0_68222	12	2
F0824113000	E.04.01_0_75942	13	1		M.03.04_0_76502	45	4	F0842505030	L.02.08_0_74307	46	1

SPARE PARTS INSTANCE INDEX

Code	Parts Table	Pos.	Q.ty	Code	Parts Table	Pos.	Q.ty	Code	Parts Table	Pos.	Q.ty
F0842505030	L.02.09_0_74355	48	1	F0843570000	A.01.03_0_62768	20	2	F0843643060	A.04.01_1_61804	4	1
F0842510020	F.03.05_0_71400	8	1		A.01.04_0_62337	20	2		A.04.02_1_61820	4	1
	F.03.06_0_71462	8	1		A.03.01_0_61765	6	10		A.05.02_0_61870	25	1
F0842510025	F.02.02_0_71225	25	1		A.05.02_0_61870	23	4		A.06.01_0_62389	8	1
F0842512000	F.03.05_0_71400	21	2		B.01.01_0_61903	23	6		A.06.02_0_62398	8	1
	F.03.06_0_71462	21	2		B.02.01_1_75789	6	4		B.02.01_1_75789	21	2
	L.03.02_0_80398	52	1		B.04.07_0_62642	25	11		B.02.01_1_75789	33	2
F0843107000	F.03.05_0_71400	39	2		B.04.08_0_62680	46	5		B.03.03_0_62039	16	10
	F.03.06_0_71462	39	2		B.05.05_0_63001	25	8		B.03.04_0_62070	7	10
	F.04.02_0_72430	23	1		B.05.06_0_63045	25	8		B.04.07_0_62642	12	10
	L.02.08_0_74307	38	2		D.03.02_0_68417	13	2		B.04.08_0_62680	12	10
	L.02.09_0_74355	38	2		D.16.02_0_68980	34	1		B.05.05_0_63001	17	8
	L.03.02_0_80398	49	2		E.04.01_0_75942	5	8		B.05.06_0_63045	17	8
	M.03.04_0_76502	38	2		E.04.02_0_75965	9	2		B.09.03_0_68460	3	4
F0843109000	F.03.05_0_71400	19	2		F.03.05_0_71400	50	2		B.09.04_0_68501	3	4
	F.03.06_0_71462	19	2		F.03.06_0_71462	50	2		D.03.02_0_68417	16	2
F0843109020	L.02.08_0_74307	30	6		F.04.02_0_72430	12	2		D.05.04_0_68629	9	2
	L.02.09_0_74355	30	10		L.02.08_0_74307	24	1		D.06.01_0_69050	14	3
	L.03.02_0_80398	40	10		L.02.09_0_74355	24	2		D.14.01_0_68864	36	1
	M.03.04_0_76502	8	1		L.03.02_0_80398	3	2		D.16.02_0_68980	3	3
	M.03.04_0_76502	30	4		L.03.02_0_80398	23	2		F.01.04_0_71182	3	7
F0843116000	F.03.05_0_71400	24	3		M.02.02_0_76124	16	3		F.03.05_0_71400	5	2
	F.03.06_0_71462	24	3		M.03.04_0_76502	24	3		F.03.06_0_71462	5	2
	L.02.09_0_74355	65	1		M.03.04_0_76502	67	2		L.02.08_0_74307	5	3
	L.03.02_0_80398	31	6		T.01.05_0_71661	29	2		L.02.09_0_74355	5	7
	M.03.04_0_76502	35	1	F0843641000	D.14.01_0_68864	30	1		L.03.02_0_80398	6	2
	M.03.04_0_76502	36	2		F.03.05_0_71400	28	1		L.03.02_0_80398	18	2
F0843526000	B.08.01_0_67961	16	4		F.03.06_0_71462	28	1		M.02.02_0_76124	3	6
	F.04.02_0_72430	6	1	F0843643060	A.01.01_0_62724	6	8		M.03.04_0_76502	5	3
F0843561000	E.04.01_0_75942	10	2		A.01.02_0_62287	6	8		T.01.06_0_71844	37	2
	E.04.02_0_75965	15	2		A.01.03_0_62768	6	8		U.01.01_0_69029	20	1
	T.01.06_0_71844	34	4		A.01.04_0_62337	6	8	F0843696000	B.12.06_0_62193	12	4
F0843570000	A.01.01_0_62724	20	2		A.02.02_0_61737	12	4		B.12.07_0_62208	12	6
	A.01.02_0_62287	20	2		A.03.01_0_61765	15	1	F0843711000	A.01.01_0_62724	12	1

SPARE PARTS INSTANCE INDEX

Code	Parts Table	Pos.	Q.ty	Code	Parts Table	Pos.	Q.ty	Code	Parts Table	Pos.	Q.ty
F0843711000	A.01.02_0_62287	12	1	F0843813000	B.04.07_0_62642	33	1	F0844030070	A.01.03_0_62768	37	1
	A.01.03_0_62768	12	1		B.04.08_0_62680	42	1		A.01.04_0_62337	37	1
	A.01.04_0_62337	12	1	F0843818040	M.03.04_0_76502	20	2		D.16.02_0_68980	26	1
F0843755000	A.03.01_0_61765	11	3	F0843841000	F.03.05_0_71400	12	1		E.04.01_0_75942	17	1
	A.05.02_0_61870	13	4		F.03.06_0_71462	12	1		E.04.02_0_75965	22	1
	A.06.01_0_62389	3	1	F0843843060	B.05.05_0_63001	3	4	F0844150000	T.01.06_0_71844	39	2
	A.06.02_0_62398	3	1		B.05.06_0_63045	3	4		W.01.01_0_63109	3	3
	B.04.07_0_62642	8	8		B.05.06_0_63045	11	2		W.01.02_0_63140	3	3
	B.04.08_0_62680	8	8		L.02.09_0_74355	61	2	F0844200050	F.04.02_0_72430	8	1
	B.05.05_0_63001	11	2		L.03.02_0_80398	73	2	F0844273090	C.01.02_0_68090	4	1
	B.08.01_0_67961	7	4		M.03.04_0_76502	61	2		D.12.01_0_63087	15	2
	C.01.02_0_68090	10	2		T.03.01_0_69018	6	10		E.04.01_0_75942	15	1
	D.05.04_0_68629	7	4		T.03.02_0_69087	6	10		E.04.02_0_75965	20	1
	D.06.01_0_69050	36	1		T.03.03_0_75993	5	10		L.03.02_0_80398	57	3
	E.02.01_0_66571	5	1	F0843907000	F.03.05_0_71400	16	2	F0844283020	T.01.04_0_71638	4	2
	E.02.01_0_66571	11	1		F.03.05_0_71400	40	8	F0844283050	T.01.05_0_71661	30	4
	F.01.04_0_71182	10	1		F.03.06_0_71462	16	2	F0844374000	D.03.02_0_68417	18	1
	F.01.04_0_71182	13	2		F.03.06_0_71462	40	8	F0847434000	D.10.02_0_68775	23	5
	F.02.02_0_71225	5	2		F.04.02_0_72430	24	2		D.16.02_0_68980	10	1
	F.03.05_0_71400	4	3		L.02.08_0_74307	39	4	F0847462000	F.02.02_0_71225	23	1
	F.03.06_0_71462	4	3		L.02.09_0_74355	39	4		L.03.02_0_80398	33	1
	G.01.01_0_76014	7	3		L.03.02_0_80398	50	4	F0848635000	W.01.01_0_63109	5	1
	L.02.08_0_74307	12	4		M.03.04_0_76502	39	4	F0848648000	W.01.01_0_63109	6	1
	L.02.09_0_74355	12	6	F0843921030	B.01.01_0_61903	31	2	F0848655000	W.01.01_0_63109	9	1
	L.03.02_0_80398	10	4		U.01.01_0_69029	17	2	F0848655250	W.01.01_0_63109	16	4
	L.03.02_0_80398	21	2	F0843948000	F.03.05_0_71400	20	4	F0848672100	W.01.02_0_63140	5	1
	M.03.04_0_76502	12	4		F.03.06_0_71462	20	4	F0848679600	W.01.01_0_63109	14	4
	T.01.04_0_71638	9	4		F.04.02_0_72430	15	1	F0848681600	W.01.02_0_63140	9	1
	T.01.05_0_71661	9	6		L.01.01_0_71524	28	1	F0848681605	W.01.02_0_63140	8	1
	T.01.06_0_71844	5	2		M.01.01_0_72462	28	1	F0848683601	W.01.02_0_63140	12	1
	T.01.06_0_71844	13	6	F0843993060	W.01.01_0_63109	19	3	F0848844000	W.01.02_0_63140	4	1
	U.01.01_0_69029	11	22		W.01.02_0_63140	15	3	F0848855000	W.01.01_0_63109	8	1
F0843771000	F.04.02_0_72430	16	4	F0844030070	A.01.01_0_62724	37	1	F0848887000	W.01.01_0_63109	4	1
	M.02.02_0_76124	38	1		A.01.02_0_62287	37	1	F0849206005	A.03.01_0_61765	16	1

SPARE PARTS INSTANCE INDEX

Code	Parts Table	Pos.	Q.ty	Code	Parts Table	Pos.	Q.ty	Code	Parts Table	Pos.	Q.ty
F0849500001	A.05.02_0_61870	1.1	1	F0852550230	L.03.02_0_80398	70/2	1	F0862443010	M.01.01_0_72462	37	1
F0849500002	A.05.02_0_61870	1.2	1		M.03.04_0_76502	63/1	1	F0862448100	D.14.01_0_68864	29	1
F0851127000	D.14.01_0_68864	26.2	1	F0852550240	L.02.08_0_74307	48/4	1		F.03.05_0_71400	29	1
F0851180000	D.10.02_0_68775	17	5		L.02.09_0_74355	63/4	1		F.03.06_0_71462	29	1
F0851226000	D.15.01_0_68904	31	1		L.03.02_0_80398	70/4	1	F0862479020	B.04.07_0_62642	10	16
F0851260000	D.13.01_0_68848	12	1		M.03.04_0_76502	63/4	1		B.04.08_0_62680	10	16
F0851267050	D.13.01_0_68848	6	1	F0852578060	D.15.01_0_68904	1.1	2		B.05.05_0_63001	15	4
F0851486000	L.01.01_0_71524	22	1	F0860091010	D.05.04_0_68629	26	2		B.05.06_0_63045	15	4
	M.01.01_0_72462	22	1	F0861830100	B.02.01_1_75789	17	4		B.09.03_0_68460	9	4
	T.01.04_0_71638	15	7	F0861867050	A.05.02_0_61870	4	6		B.09.04_0_68501	9	4
	T.01.05_0_71661	15	7		E.01.01_0_66561	4	16	F0862479030	B.09.03_0_68460	40	2
	T.01.06_0_71844	42	7	F0861928050	B.09.03_0_68460	18	4		B.09.04_0_68501	40	2
	T.03.01_0_69018	8	4		B.09.04_0_68501	18	4	F0862479034	B.04.07_0_62642	17	8
	T.03.02_0_69087	1.5	4	F0861941000	E.03.02_0_71747	5	3		B.04.08_0_62680	17	8
F0851497000	B.01.01_0_61903	34	1	F0861973100	L.02.08_0_74307	15	8	F0862479035	B.03.03_0_62039	19	8
	T.03.01_0_69018	10	1		L.02.09_0_74355	15	8		B.03.04_0_62070	8	2
F0852550100	L.02.08_0_74307	18	2		L.03.02_0_80398	14	9		B.04.07_0_62642	23	8
	L.02.09_0_74355	18	5		M.02.02_0_76124	13	8	F0862481000	A.02.02_0_61737	2	4
	L.03.02_0_80398	69	8		M.03.04_0_76502	15	8	F0862495010	A.01.02_0_62287	48	3
	M.03.04_0_76502	18	4	F0861990050	C.02.02_0_68138	39	4		A.01.04_0_62337	50	3
F0852550200	L.02.08_0_74307	48/5	1		E.04.02_0_75965	6	2		B.12.06_0_62193	11	4
	L.02.09_0_74355	63/5	1	F0862090000	D.12.01_0_63087	8	6		B.12.07_0_62208	11	4
	L.03.02_0_80398	70/3	1	F0862129000	B.05.05_0_63001	41	2	F0862593050	C.02.02_0_68138	31	1
	M.03.04_0_76502	63/5	1		B.05.06_0_63045	23	2	F0862655000	D.12.01_0_63087	13	6
F0852550210	L.02.08_0_74307	48/3	1		D.02.01_0_68309	32	2	F0862657000	D.01.02_0_68281	3	1
	L.02.09_0_74355	63/3	1		D.02.02_0_68344	32	2	F0862694000	D.10.02_0_68775	28	4
	L.03.02_0_80398	70/1	1		E.04.02_0_75965	4	2	F0862796000	F.01.04_0_71182	7	2
	M.03.04_0_76502	63/3	1		L.02.08_0_74307	23	1	F0863079000	B.04.07_0_62642	29	2
F0852550220	L.02.08_0_74307	48/2	1		L.02.09_0_74355	23	2		B.04.08_0_62680	38	2
	L.02.09_0_74355	63/2	1		L.03.02_0_80398	22	2	F0863183000	D.10.02_0_68775	22	2
	L.03.02_0_80398	70/5	1		M.03.04_0_76502	23	2	F0863208050	B.09.03_0_68460	14	4
	M.03.04_0_76502	63/2	1	F0862131000	F.03.05_0_71400	35	2		B.09.04_0_68501	14	4
F0852550230	L.02.08_0_74307	48/1	1		F.03.06_0_71462	35	2	F0863267050	C.02.02_0_68138	22	8
	L.02.09_0_74355	63/1	1	F0862345000	F.04.02_0_72430	11	2		D.01.02_0_68281	14	8

SPARE PARTS INSTANCE INDEX

Code	Parts Table	Pos.	Q.ty
F0863267050	D.11.02_0_68825	5	8
F0863359000	C.02.02_0_68138	5	2
	L.01.01_0_71524	7	4
	M.01.01_0_72462	7	4
F0863449000	D.05.04_0_68629	5	2
F0863566000	B.05.05_0_63001	8	2
F0863672010	T.03.03_0_75993	14	1
F0864290010	B.01.01_0_61903	27	2
F0864314000	W.01.01_0_63109	18	3
	W.01.02_0_63140	14	3
F0864322100	M.01.01_0_72462	29	1
F0864335020	B.01.01_0_61903	26	1
	G.01.01_0_76014	19	1
F0864377000	B.03.03_0_62039	8	2
F0864410500	W.01.01_0_63109	2	3
	W.01.02_0_63140	2	3
F0865040000	B.08.01_0_67961	1	1
F0865040020	B.08.01_0_67961	2	1
P000000005549	F.03.05_0_71400	30	2
	F.03.06_0_71462	30	2
P000000006678	D.02.01_0_68309	20/1	1
	D.02.02_0_68344	20/1	1
P000000006679	D.02.01_0_68309	20/2	1
	D.02.02_0_68344	20/2	1
P000000007984	C.02.02_0_68138	1.2	1
P000000309112	M.02.02_0_76124	30	2
P238105000000	B.08.01_0_67961	5	1
P238106000000	A.02.02_0_61737	16	1
P241171000000	L.02.08_0_74307	34	1
	L.02.09_0_74355	34	1
P254124000000	F.03.05_0_71400	52	3
	F.03.06_0_71462	52	3
	F.04.02_0_72430	22	6
P281207000000	F.03.05_0_71400	51	1

Code	Parts Table	Pos.	Q.ty
P281207000000	F.03.06_0_71462	51	1
	F.04.02_0_72430	26	2
P439149000000	B.03.03_0_62039	7	2
P439294000001	L.03.02_0_80398	71	3
P453446000002	B.04.08_0_62680	14	8
P453524010000	D.04.01_0_68445	14	2
P470330000000	D.14.01_0_68864	31	1
P470433000000	D.14.01_0_68864	32	1
P917280000000	B.03.03_0_62039	6	2
P996510000001	F.02.02_0_71225	28	2
	L.03.02_0_80398	29	32